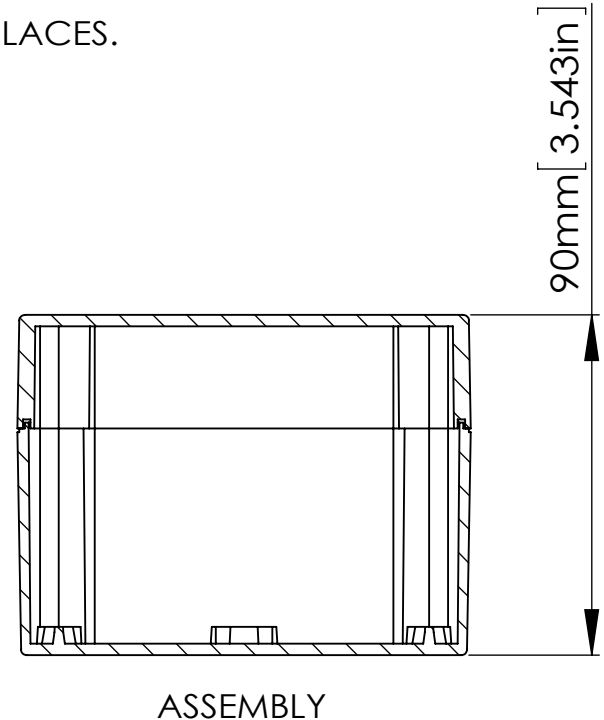
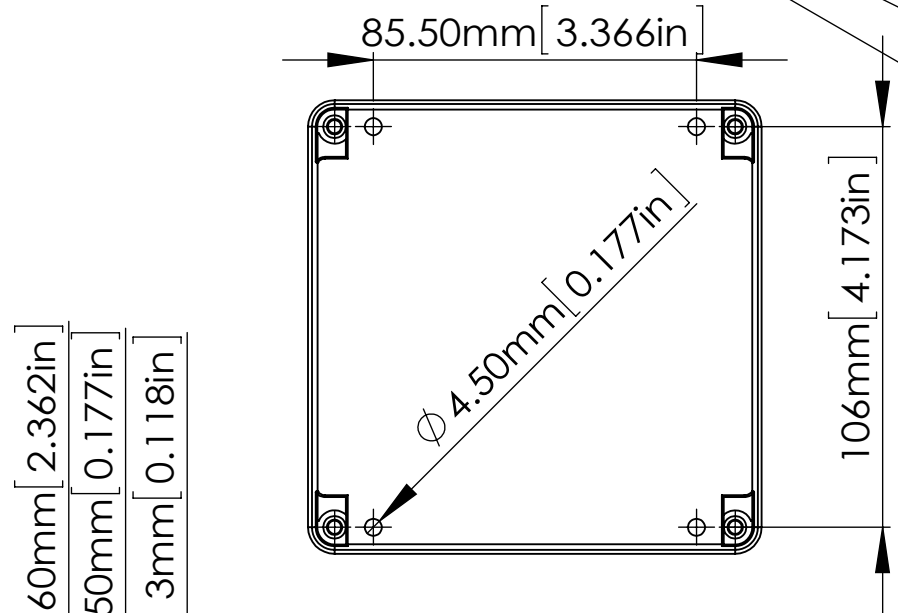


R1.25mm [0.049in]
R2.25mm [0.089in]

M4X8 LG, THREADED INSERT (4) PLACES.
M3X5 LG, THREADED INSERT (4) PLACES.



According to ISO 2768-m	
Measuring DIM=L	Tolerances
0.5<L<=3.0mm	±0.1mm
3.0<L<=6.0 mm	±0.1mm
6.0<L<=30.0 mm	±0.2mm
30.0<L<=120.0 mm	±0.3mm
120.0<L<=400.0 mm	±0.5mm
400.0<L<=1000.0 mm	±0.8mm

宣又實業有限公司
GAINTA INDUSTRIES LTD.

繪圖 DRA'D BY
JACKY

日期 DATE
2018/05/02

材質 MATE.
PC/ABS

圖名TITLE:
G279;G387

圖號DWG NO:

版次REVISED:
D