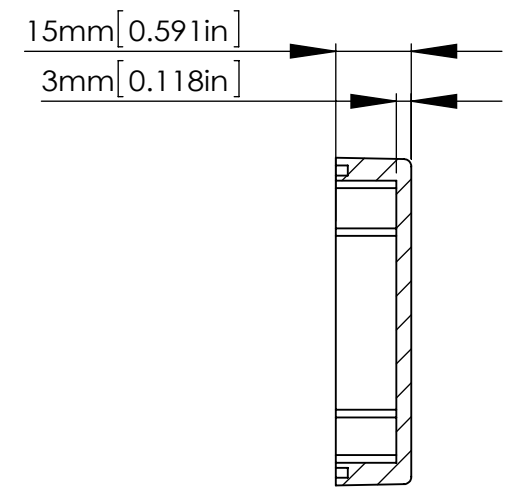
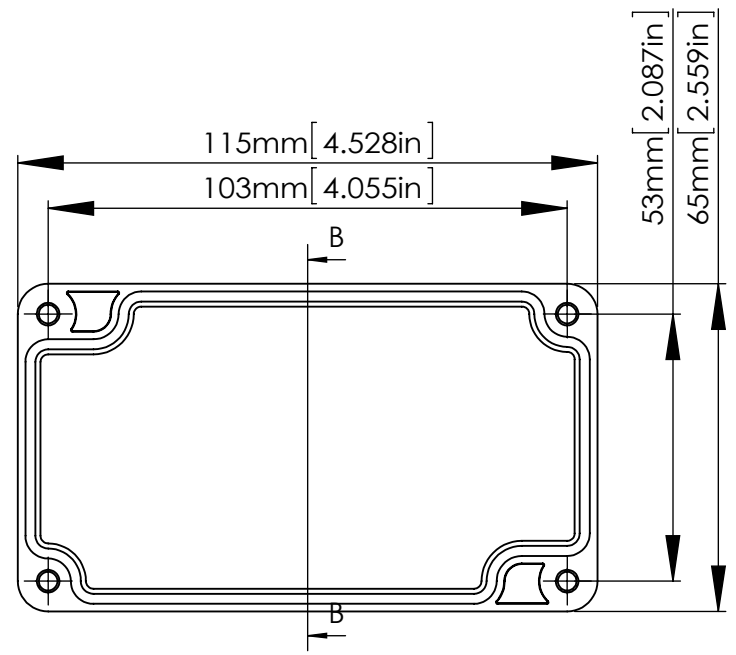


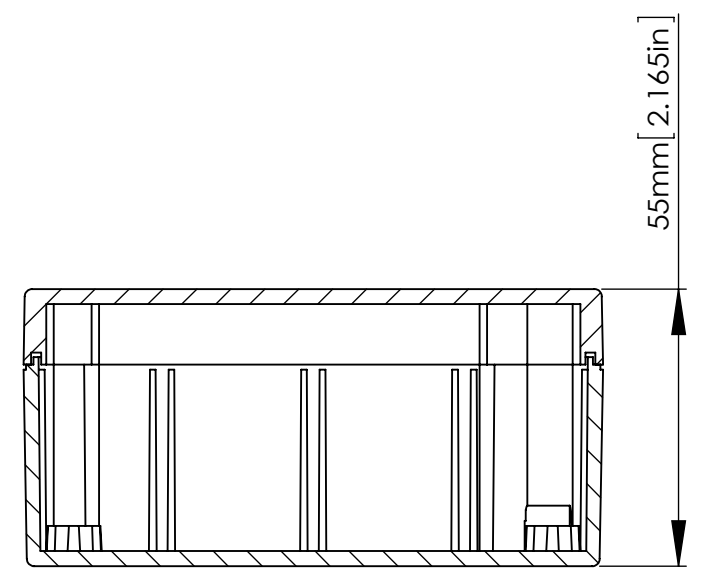
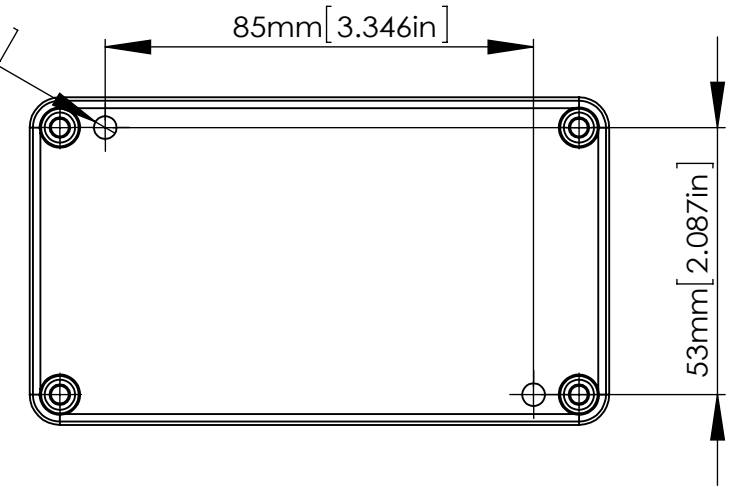
$\phi 2.50\text{mm}$ [0.098in]

$\phi 4.50\text{mm}$ [0.177in]

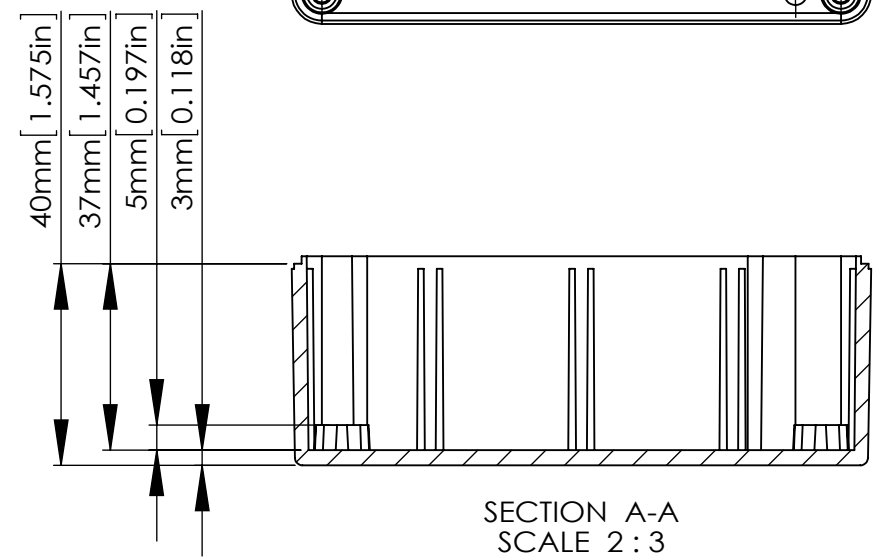
M3X5 LG, THREADED INSERT (4) PLACES.
M4X8 LG, THREADED INSERT (4) PLACES.



SECTION B-B
SCALE 2:3



ASSEMBLY



SECTION A-A
SCALE 2:3

According to ISO 2768-m	
Measuring DIM=L	Tolerances
0.5<L<=3.0mm	±0.1mm
3.0<L<=6.0 mm	±0.1mm
6.0<L<=30.0 mm	±0.2mm
30.0<L<=120.0 mm	±0.3mm
120.0<L<=400.0 mm	±0.5mm
400.0<L<=1000.0 mm	±0.8mm

宣又實業有限公司
GAINTA INDUSTRIES LTD.

繪圖 DRA'D BY
JACKY

日期 DATE
2018/05/02

材質 MATE.
PC/ABS

圖名TITLE:
G205;G308

圖號DWG NO:

版次REVISED:
E