

G11XX, TYPE A SERIES

SLOPPED HAND-HELD ENCLOSURES



PRODUCT INFORMATION

MATERIAL:

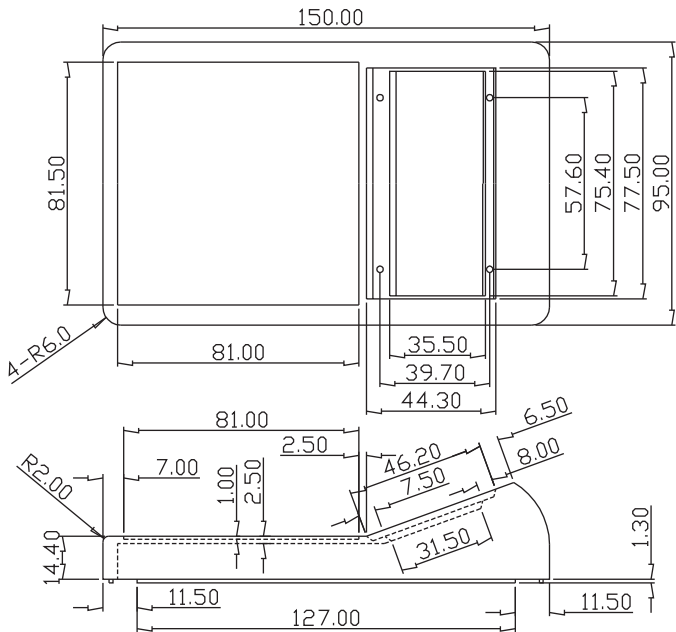
- High impact ABS plastic, light grey and black.

FEATURES:

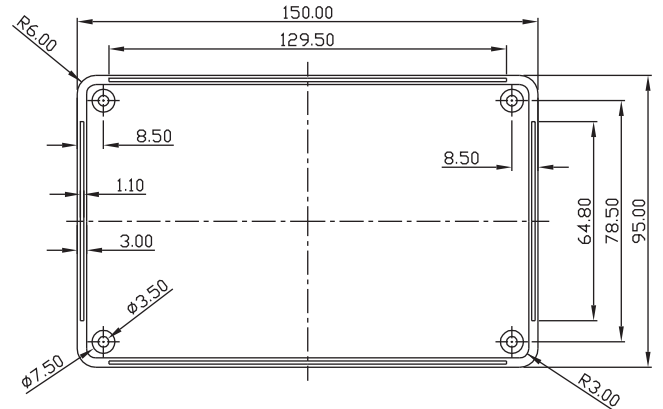
- Ideal for keyboard, controllers, test instrument, computer accessories, remote actuators and controls.
- G1189G(BC) and G1189B(BC) are available with battery compartment.

ITEM No.	COLOR	ITEM No.	COLOR	EXTERNAL DIMENSION(MM)
G1168G	Light Grey	G1168B	Black	150.0 x 95.0 x 28.5/49.5
G1189G	Light Grey	G1189B	Black	189.0 x 104.5 x 33.2/59.0
G1189G(BC)	Light Grey	G1189B(BC)	Black	189.0 x 104.5 x 33.2/59.0

G1168

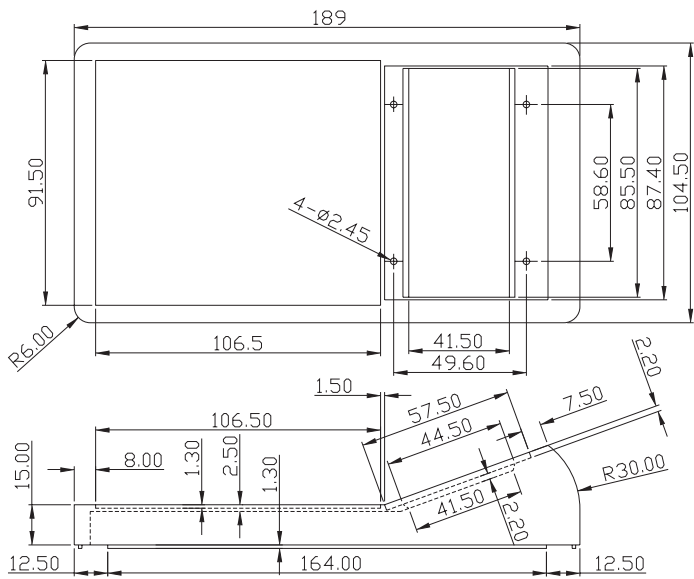


TOP

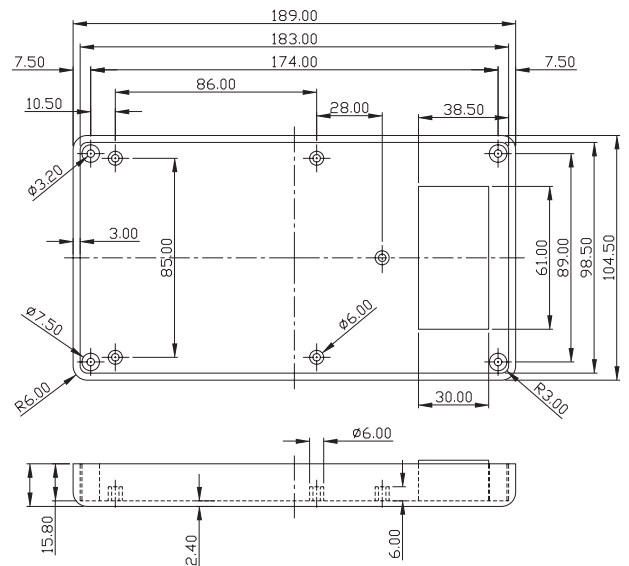


BASE

G1189



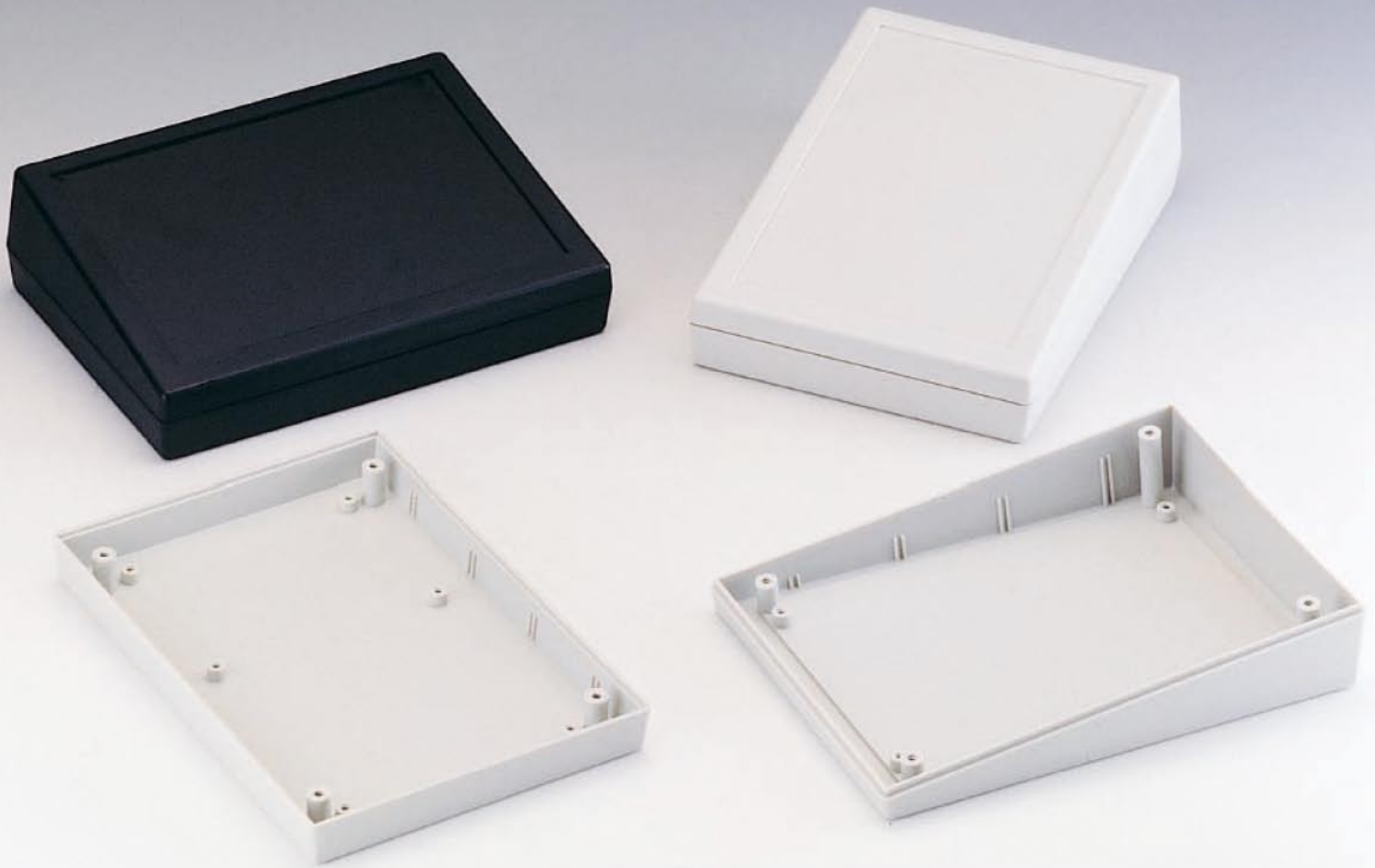
TOP



BASE

G11XX, TYPE B SERIES

KEYBOARD ENCLOSURE



PRODUCT INFORMATION

MATERIAL:

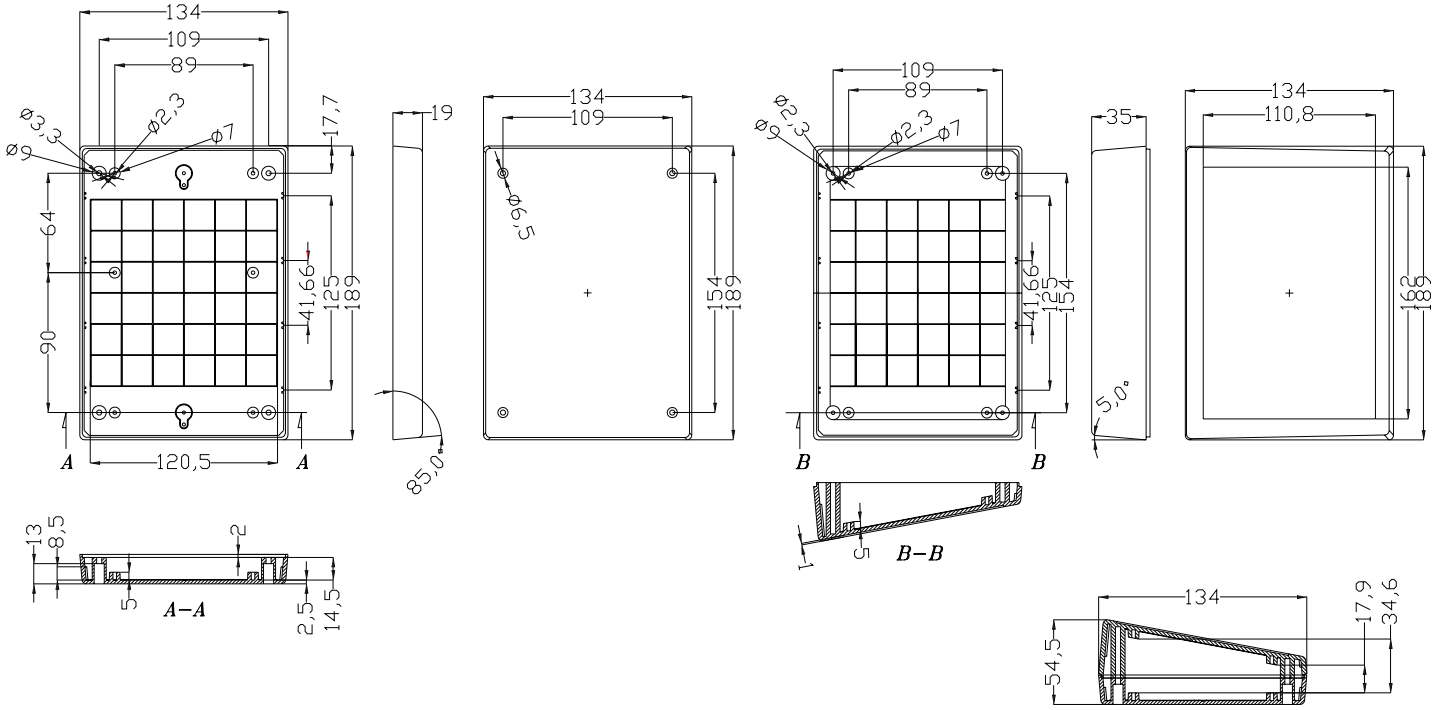
- High-impact ABS UL94-HB or UL94-V0 plastic.

APPLICATION:

- Test Equipment.
- Medical and scientific devices.
- Scoreboard controller.
- Audio and video controllers.
- Security systems.
- Fax decoders / switch.

MATERIAL: ABS, UL94-HB		MATERIAL: ABS, UL94-V0		EXTERNAL DIMENSION(MM)
ITEM No.	COLOR	ITEM No.	COLOR	
G1183G	Grey	G1183GUL	Grey	189 x 134 x 32.0 / 54.6
G1183B	Black	G1183BUL	Black	189 x 134 x 32.0 / 54.6
G1188G	Grey	G1188GUL	Grey	134 x 189 x 32.0 / 55.0
G1188B	Black	G1188BUL	Black	134 x 189 x 32.0 / 55.0

G1183



G1188

