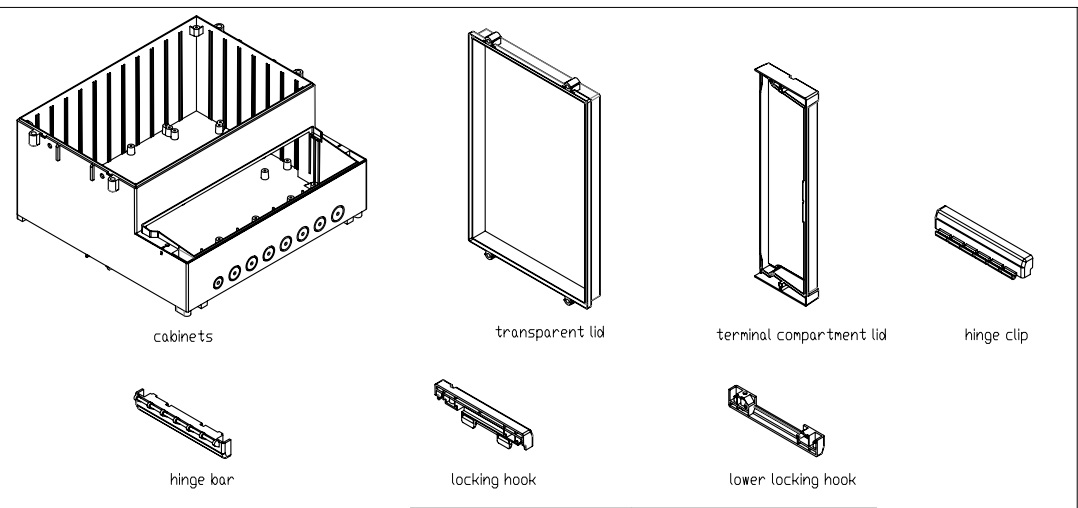


DIMENSION	CABLE GLAND
A	PG 9(QR M12)
B	PG 11(QR M16)
C	PG 13.5(QR M20)

According to ISO 2768-m

Measuring DIM=L	Tolerances
0.5<L<=3.0mm	±0.1mm
3.0<L<=6.0 mm	±0.1mm
6.0<L<=30.0 mm	±0.2mm
30.0<L<=120.0 mm	±0.3mm
120.0<L<=400.0 mm	±0.5mm
400.0<L<=1000.0 mm	±0.8mm



ITEM	DESCRIPTION	DC009CUL			DC009CBU		
		MATERIAL	COLOUR	UNIT	MATERIAL	COLOUR	UNIT
1	cabinets	PC+ABS(VD)	GRAY	1	ABS(HB)	GRAY	1
2	transparent lid	PC(VD)	CLEAR COVER	1	PC(HB)	transparent Blue	1
3	terminal compartment lid	PC+ABS(VD)	GRAY	1	ABS(HB)	GRAY	1
4	hinge clip	PC+ABS(VD)	GRAY	1	ABS(HB)	GRAY	1
5	hinge bar	PC+ABS(VD)	GRAY	1	ABS(HB)	GRAY	1
6	locking hook	PC+ABS(VD)	GRAY	1	ABS(HB)	GRAY	1
7	lower locking hook	PC+ABS(VD)	GRAY	1	ABS(HB)	GRAY	1

宜文實業有限公司 GAINTA INDUSTRIES LTD.	繪圖 DRA'D BY JACKY	日期 DATE 2012/04/13	材質 MATE. PC+ABS(VD), ABS(HB)	圖名 TITLE DC009CUL DC009CBU	圖號 DWG NO: 1-1	版本 REVISID: A
------------------------------------	-------------------------	--------------------------	------------------------------------	-------------------------------------	----------------------	---------------------

宜文實業有限公司 GAINTA INDUSTRIES LTD.	繪圖 DRA'D BY JACKY	日期 DATE 2012/04/13	材質 MATE. PC+ABS(VD), ABS(HB)	圖名 TITLE DC009CUL DC009CBU	圖號 DWG NO: 1-2	版本 REVISID: A
------------------------------------	-------------------------	--------------------------	------------------------------------	-------------------------------------	----------------------	---------------------