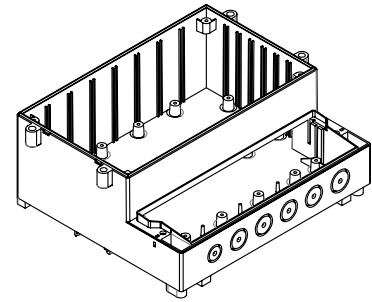
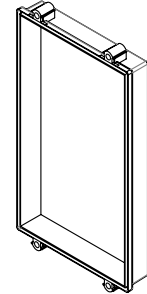


DIMENSION	CABLE GLAND
A	15.6mm PG 9(CR M12)
B	19.0mm PG 11(CR M16)
C	20.8mm PG 13.5(CR M20)

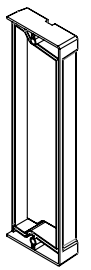
According to ISO 2768-m	
Measuring DIM=L	Tolerances
0.5CL<=3.0mm	±0.1mm
3.0CL<=6.0 mm	±0.1mm
6.0CL<=30.0 mm	±0.2mm
30.0CL<=120.0 mm	±0.3mm
120.0CL<=400.0 mm	±0.5mm
400.0CL<=1000.0 mm	±0.8mm



cabinets



lid



terminal compartment lid

ITEM	DESCRIPTION	DC005LGND			DC005CBUND		
		MATERIAL	COLOUR	UNIT	MATERIAL	COLOUR	UNIT
1	cabinets	ABS(HB)	GRAY	1	ABS(HB)	GRAY	1
2	lid	ABS(HB)	GRAY	1	PC(HB)	transparent Blue	1
3	terminal compartment lid	ABS(HB)	GRAY	1	ABS(HB)	GRAY	1

宜文實業有限公司 GAINTA INDUSTRIES LTD.	繪圖 DRA'D BY JACKY	日期 DATE 2012/04/13	材質 MATE. ABS(HB)	圖名 TITLE DC005LGND DC005CBUND	圖號 DWG NO. 1-1	圖次 REVISID A
------------------------------------	-------------------------	--------------------------	------------------------	--	----------------------	--------------------

宜文實業有限公司 GAINTA INDUSTRIES LTD.	繪圖 DRA'D BY JACKY	日期 DATE 2012/04/13	材質 MATE. ABS(HB)	圖名 TITLE DC005LGND DC005CBUND	圖號 DWG NO. 1-2	圖次 REVISID A
------------------------------------	-------------------------	--------------------------	------------------------	--	----------------------	--------------------