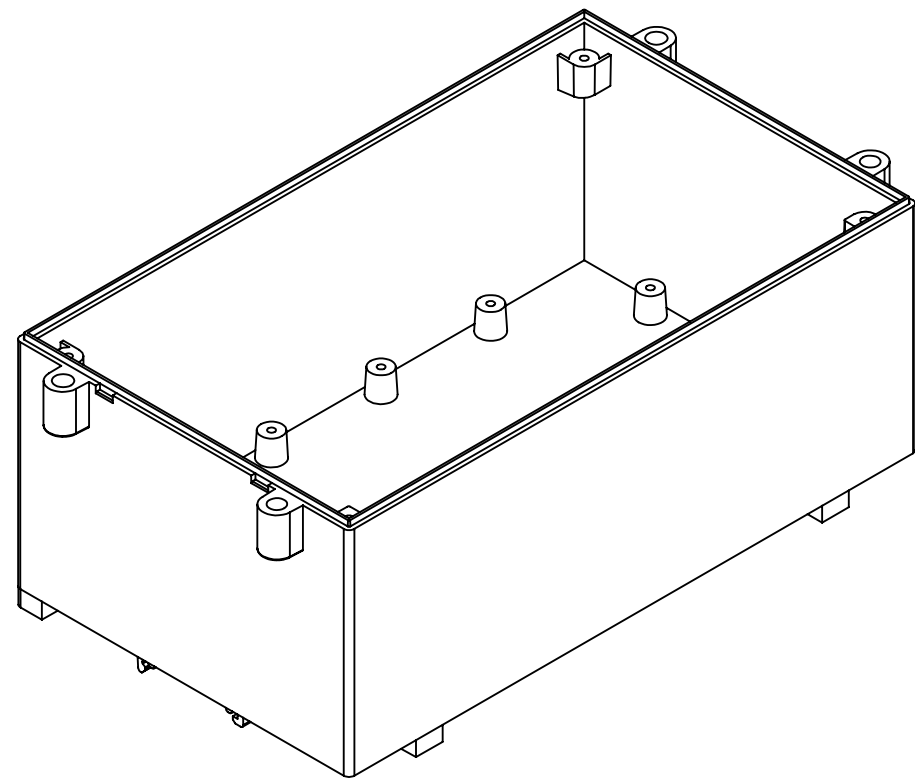


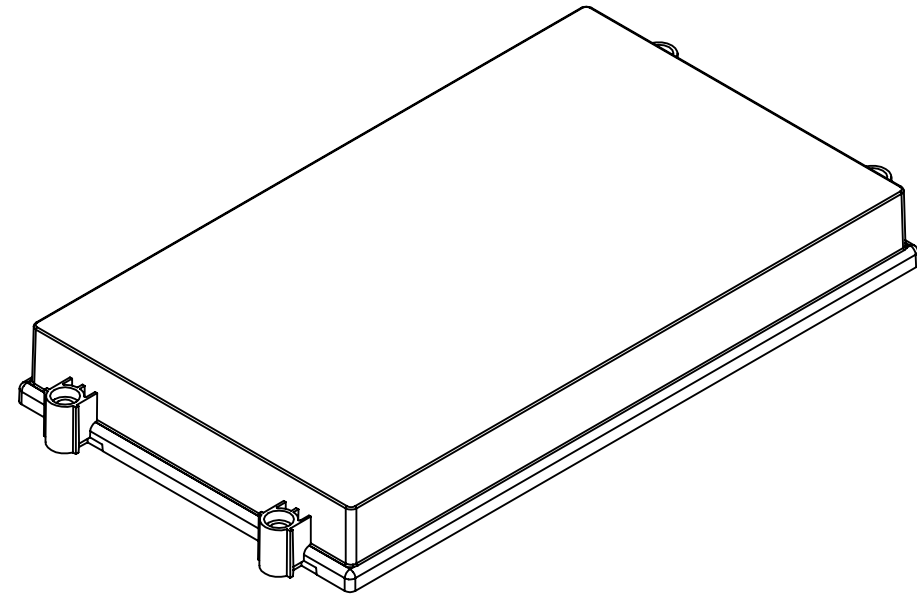
	DIMENSION	CABLE GLAND
A	15.6mm	PG 9(OR M12)
B	19.0mm	PG 11(OR M16)
C	20.8mm	PG 13.5(OR M20)

According to ISO 2768-m	
Measuring DIM=L	Tolerances
0.5<L<=3.0mm	±0.1mm
3.0<L<=6.0 mm	±0.1mm
6.0<L<=30.0 mm	±0.2mm
30.0<L<=120.0 mm	±0.3mm
120.0<L<=400.0 mm	±0.5mm
400.0<L<=1000.0 mm	±0.8mm

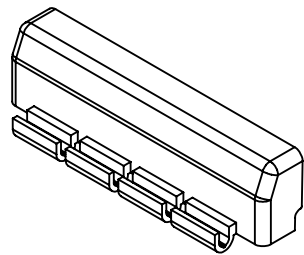
宣又實業有限公司 GAINTA INDUSTRIES LTD.	繪圖	DRA'D BY	日期	DATE	材質	MATE.	圖名TITLE: HGP005 HGP005CBU HGA005	圖號DWG NO: 1-1	版次REVISID: A
		JACKY		2024/07/11		--			



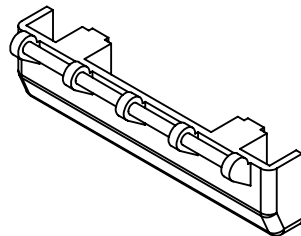
**cabinets**



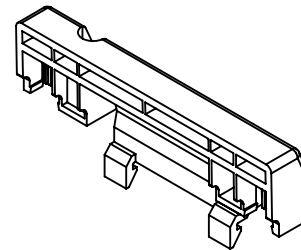
**lid**



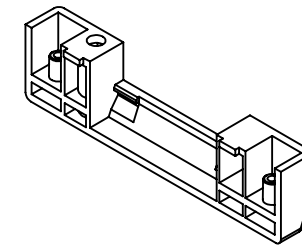
**hinge clip**



**hinge bar**



**locking hook**



**lower locking hook**

ITEM	DESCRIPTION	HGP005			HGP005CBU			HGA005		
		MATERIAL	COLOUR	UNIT	MATERIAL	COLOUR	UNIT	MATERIAL	COLOUR	UNIT
1	cabinets	PC+ABS(V0)	GRAY	1	ABS(HB)	GRAY	1	ABS(HB)	GRAY	1
2	lid	PC(V0)	CLEAR COVER	1	PC(HB)	transparent blue	1	ABS(HB)	GRAY	1
3	hinge clip	PC+ABS(V0)	GRAY	1	ABS(HB)	GRAY	1	ABS(HB)	GRAY	1
4	hinge bar	PC+ABS(V0)	GRAY	1	ABS(HB)	GRAY	1	ABS(HB)	GRAY	1
5	locking hook	PC+ABS(V0)	GRAY	1	ABS(HB)	GRAY	1	ABS(HB)	GRAY	1
6	lower locking hook	PC+ABS(V0)	GRAY	1	ABS(HB)	GRAY	1	ABS(HB)	GRAY	1