

# G9XX, TYPE A SERIES

## HAND-HELD ELECTRONIC ENCLOSURE



G900G CLIP

G900B CLIP

### PRODUCT INFORMATION

**MATERIAL:** High-impact ABS Plastic.

**FEATURES:**

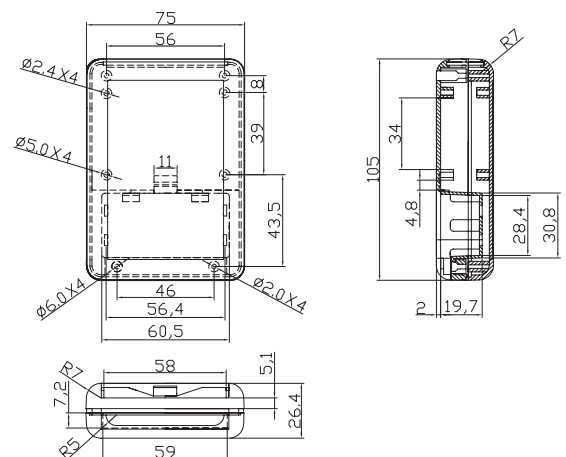
- Grey and black color are available for selection.
- Designed to accept two "AA" battery.
- Grey and black belt clip are available for ordering.
- G0310-AA battery contact kit is available for ordering.

ITEM No.	EXTERNAL DIMENSION(mm)
<b>G909G</b>	105 X 75 X 26.4
<b>G909B</b>	105 X 75 X 26.4
<b>G0310</b>	AA Battery Contact Kit
<b>G900G CLIP</b>	Grey Belt Clip
<b>G900B CLIP</b>	Black Belt Clip

Example



G0310



## NEW HAND-HELD ELECTRONIC ENCLOSURE



### PRODUCT INFORMATION

**MATERIAL:** High-impact ABS UL94-HB or UL94-V0 plastic.

**FEATURES:**

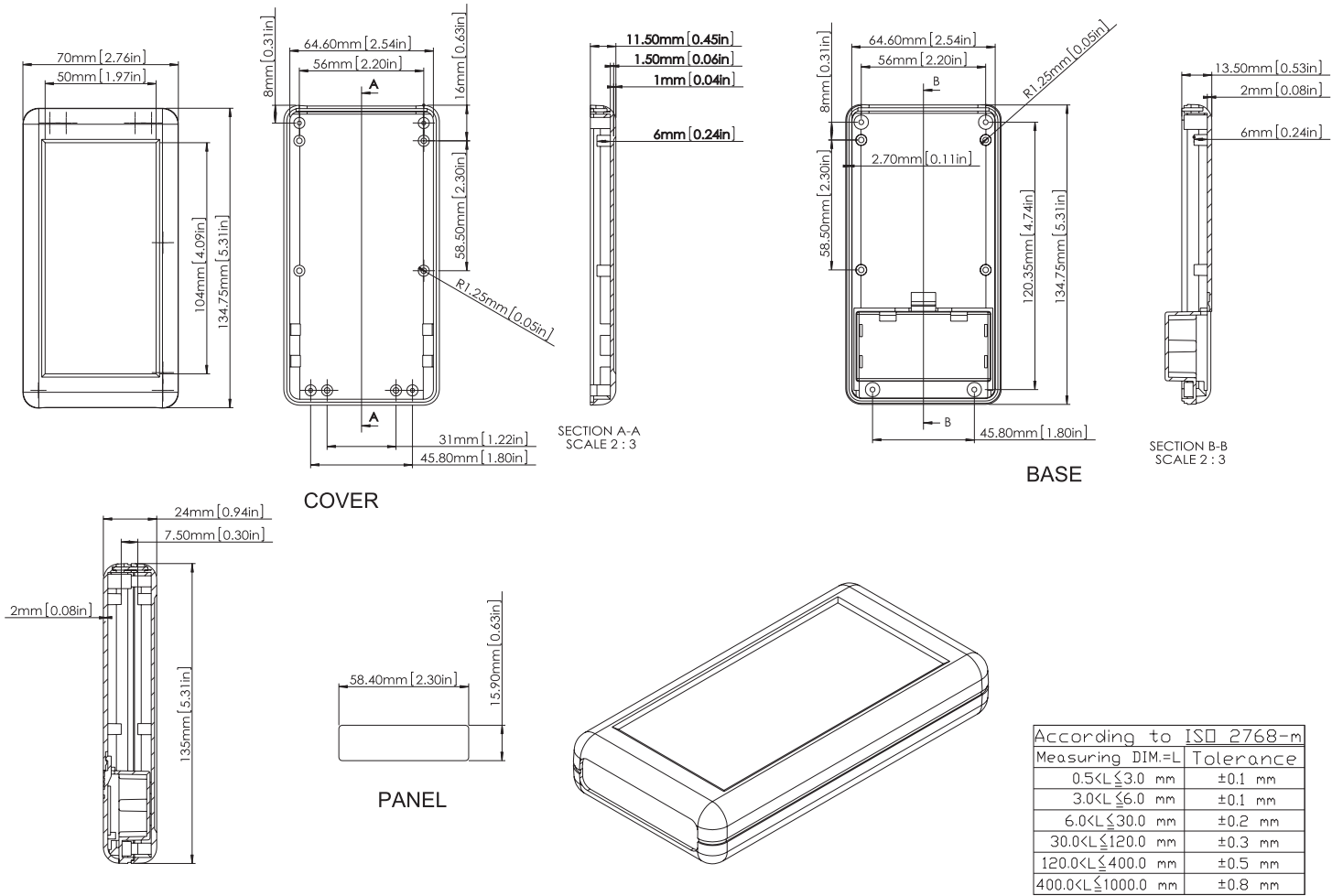
- Grey and black color are available for selection.
- Designed to accept two "AA" battery.
- Grey and black belt clip are available for ordering.
- G0310-AA battery contact kit is available for ordering.

ITEM No.	DESCRIPTION
G939G	High Impact ABS Grey
G939B	High Impact ABS Black
G939GUL	UL94-V0, ABS Grey
G939BUL	UL94-V0, ABS Black
G0310	"AA" Battery Contact Kits
G939TP	Red Transparent Panel



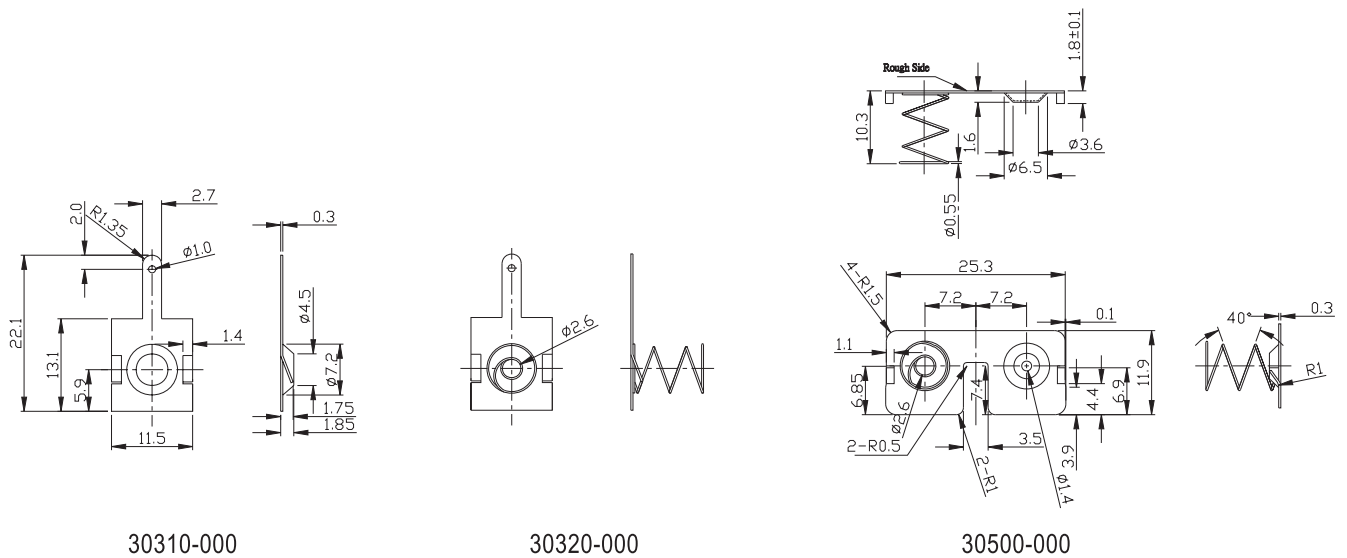
G0310

# G939G / G939B



# G0310

30310-000(X1)+30320-000(X1)+30500-000(X1)



# G9XX, TYPE C SERIES

## MEDIUM SIZE HAND-HELD ABS ENCLOSURE



### PRODUCT INFORMATION

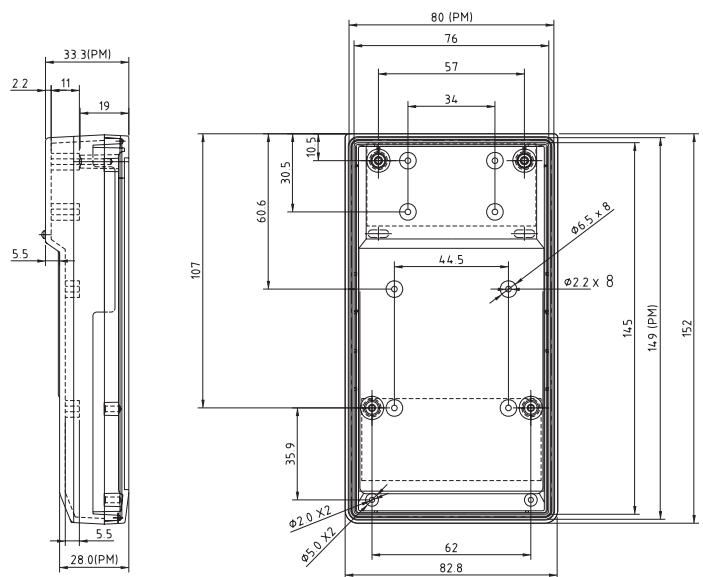
#### MATERIAL:

- High-impact ABS plastic.
- Available in light grey and black colours.

#### FEATURES:

- Consumer product.
- Remote control.
- Controller interface.
- Field test kits.
- Personal application.

ITEM No.	EXTERNAL DIMENSION(mm)
<b>G959G</b>	152 X 82.8 X 33.3
<b>G959B</b>	152 X 82.8 X 33.3



# MEDIUM SIZE HAND-HELD ABS ENCLOSURE



## PRODUCT INFORMATION

**MATERIAL:** High impact ABS

### FEATURES:

- Available with either a solid display area or a cutout.
- The top and bottom parts incorporate a tongue and groove sealing system which accept gasketing.
- The gasket is available as a separate item.
- Available with a battery compartment in the back which accept a 9V 216 type. Or two AA batteries
- A durable and professional moulded tilting bail is available which also can be used to wall mount the enclosures.
- Available in black and light grey as standard colour. Customer colour is available on indent.
- Case is held together by 4 PCS brass inserts in the LID and M-3 screws supplied.
- Recessed display area: 115.5 x 85.5mm.
- Cutout area: 71.5 x 35mm.

**Example**



G968G(0)



G968G(S)

ITEM No.	COLOR	DISPLAY AREA
<b>G968G(0)</b>	Grey	Cutout
<b>G968B(0)</b>	Black	Cutout

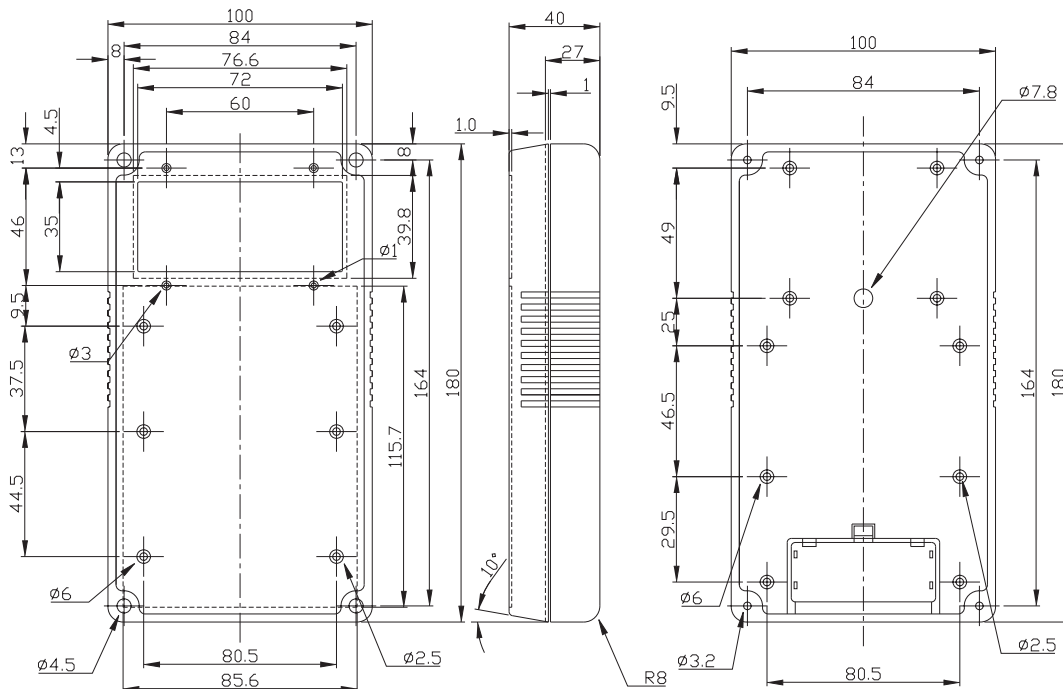
ITEM No.	COLOR	DISPLAY AREA
<b>G968G(S)</b>	Grey	Solid
<b>G968B(S)</b>	Black	Solid

<b>G968GSKT</b>	Grey	Sealing Gasket
-----------------	------	----------------

**Example** Sealing Gasket



**G968**



# G9XX, TYPE E SERIES

## JUMBO SIZE HAND-HELD PLASTIC-CASE



### PRODUCT INFORMATION

**MATERIAL:** High impact ABS.

**FEATURES:**

- Two colours are available in black and light grey.
- Available with open display window or solid front.
- Recessed display area: 119.0x89.0mm.
- Recessed keyboard area: 104.04 / 83.85 x 118.35

ITEM No.	COLOR	DISPLAY AREA	EXTERNAL DIMENSION(mm)
G999G(0)	Grey	Cutout	300 X 181.3 X 55
G999G(S)	Grey	Solid	300 X 181.3 X 55
G999B(0)	Black	Cutout	300 X 181.3 X 55
G999B(S)	Black	Solid	300 X 181.3 X 55
G999CP	Transparent		127.83 X 97.83 X 2.0

