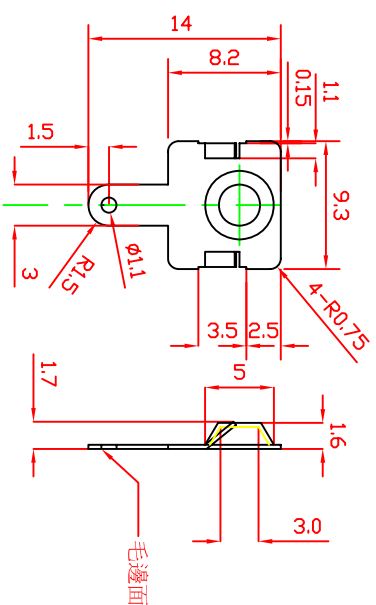
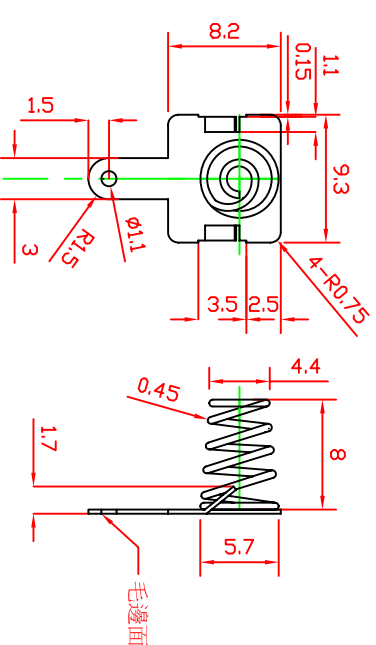


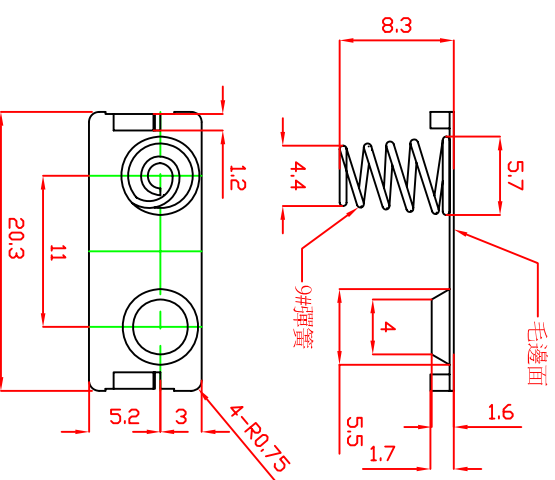
Note: G808-4AAA = "70978-000"(x1) + "70980-000"(x1) + "70979-000"(x1) + "70980-040"(x2)



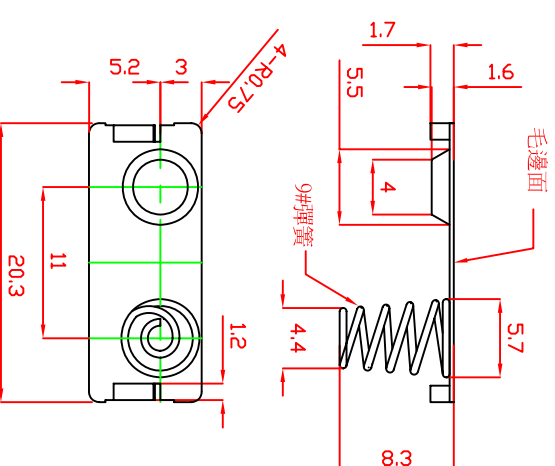
70978-000



70979-000



70980-000



70980-040

Unit : mm
Tolerance : +/- 0.1 mm.

宣又實業有限公司
GAINTA INDUSTRIES LTD.

DESIGN BY

DRAWN BY JACKY

CHECKED BY

SCALE

DATE 2007/10/22

MATERIAL TINPLATE

TITLE: G808-4AAA

DWG NO.

REVISED

DESCRIPTION