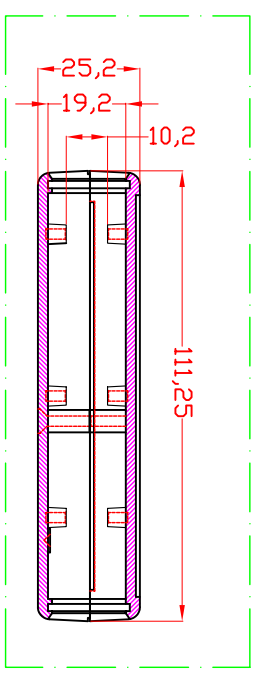
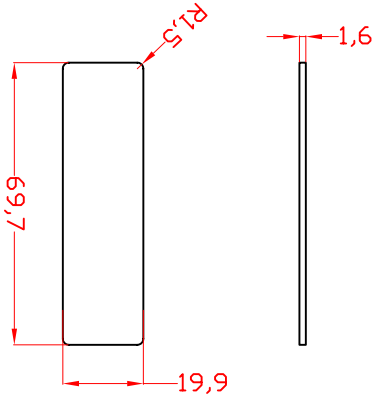
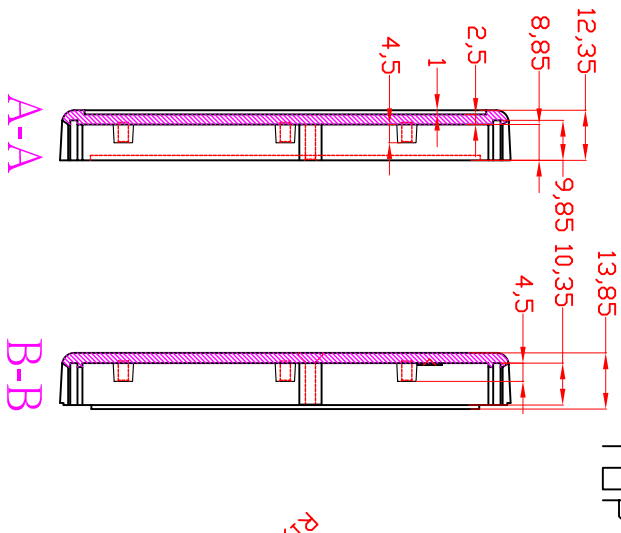
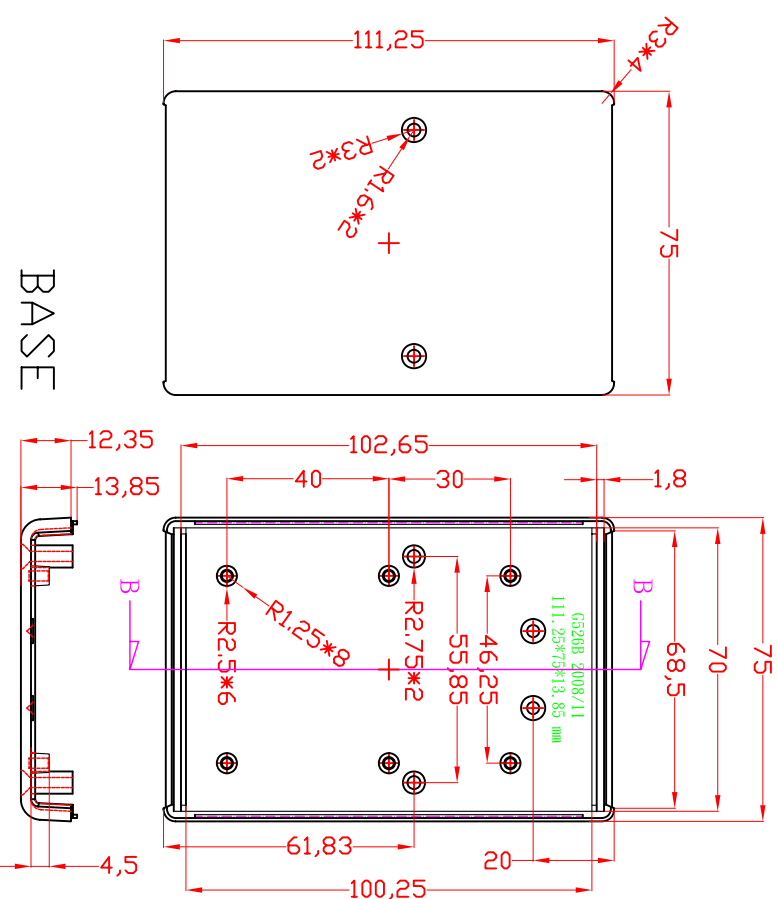
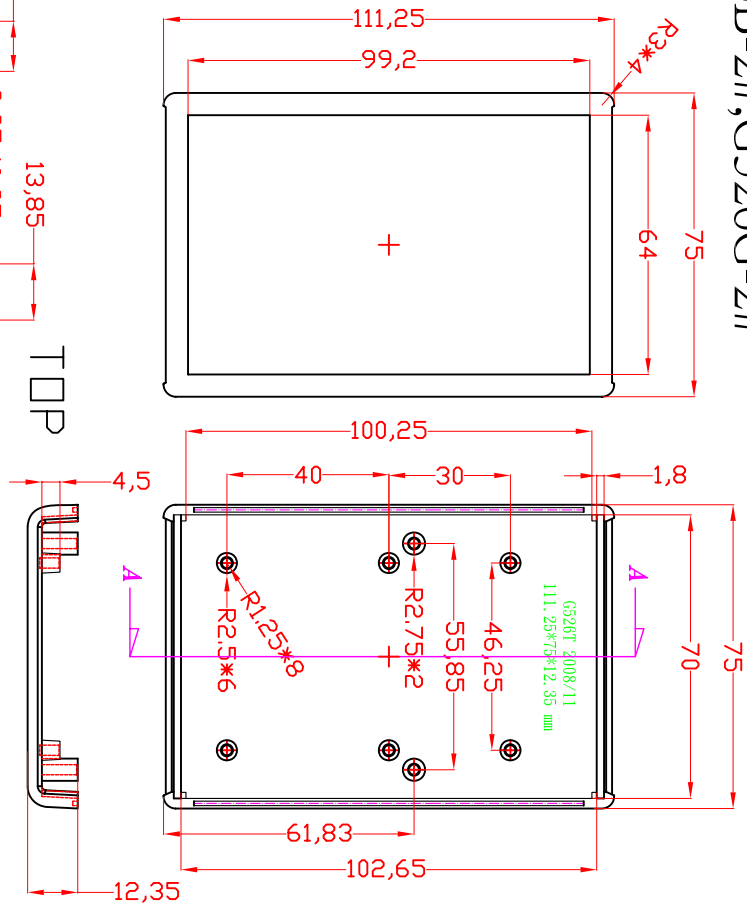


G526B-2#;G526G-2#



According to ISO 2768-m
Measuring DIM=L Tolerance

0.5 <L ≤ 3.0 mm	±0.1 mm
3.0 <L ≤ 6.0 mm	±0.1 mm
6.0 <L ≤ 30.0 mm	±0.2 mm
30.0 <L ≤ 120.0 mm	±0.3 mm
120.0 <L ≤ 400.0 mm	±0.5 mm
400.0 <L ≤ 1000.0 mm	±0.8 mm

ITEM NO	DESCRIPTION
G526B-2#	BLACK((G526T+G526B)*1+BLACK(PANEL-'#')*2+M3*21 mm BLACK SCREWS *2
G526G-2#	GRAY((G526T+G526B)*1+GRAY(PANEL-'#')*2+M3*21 mm BLACK SCREWS *2

宣文實業有限公司
GAINTA INDUSTRIES LTD.

設計 BY DESIGN BY	繪圖 BY DRAWN BY	核圖 BY CHECKED BY	比例 SCALE	日期 DATE	材質 MATE.	圖名 TITLE	圖號 DWG NO.	圖號 REVISID	說明 DESCRIPTION
JACKY	JACKY			2009/1/7	ABS	G526B-2#;G526G-2#		A	