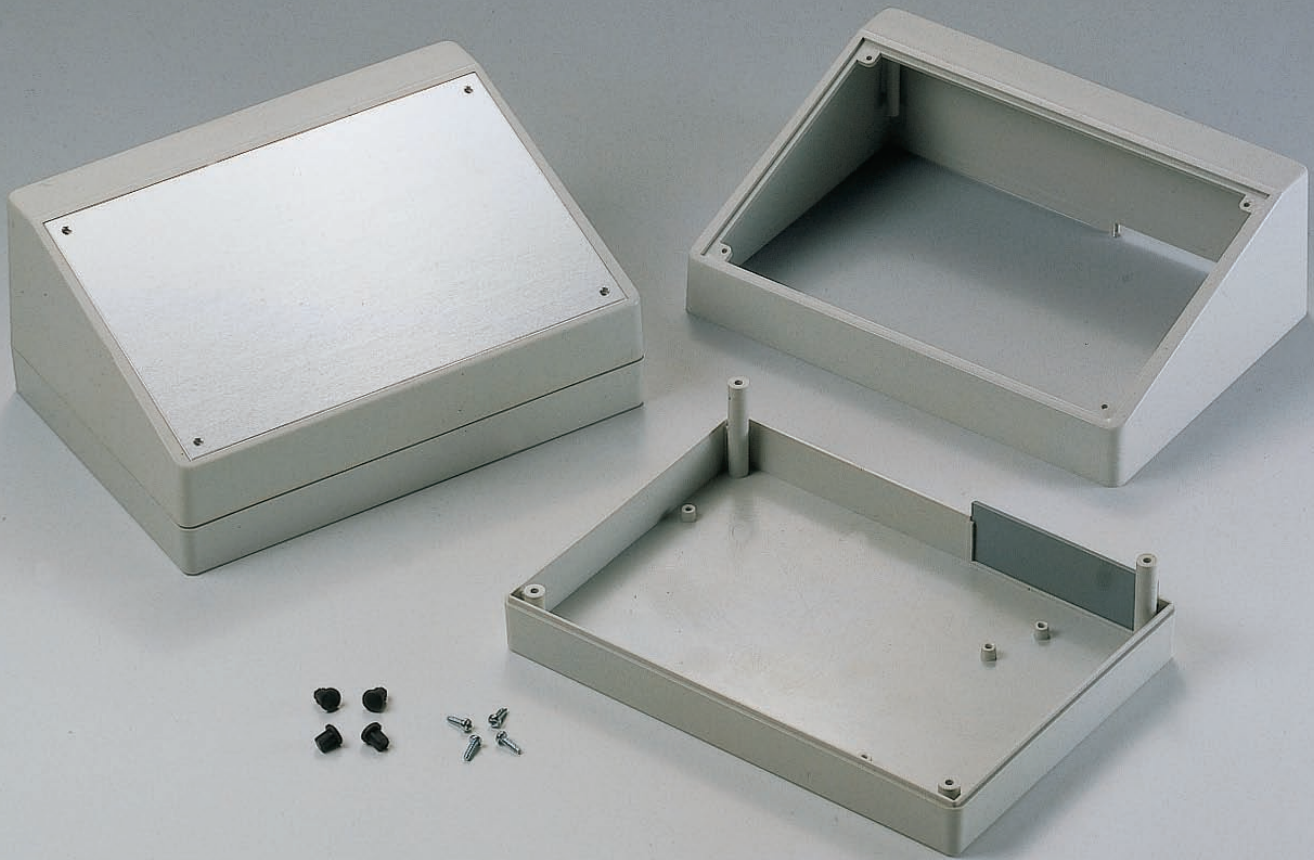


## G15XX, TYPE A SERIES

# PRO-DESK ENCLOSURE, G1500



### PRODUCT INFORMATION

#### MATERIAL:

- High impact ABS UL94-HB.

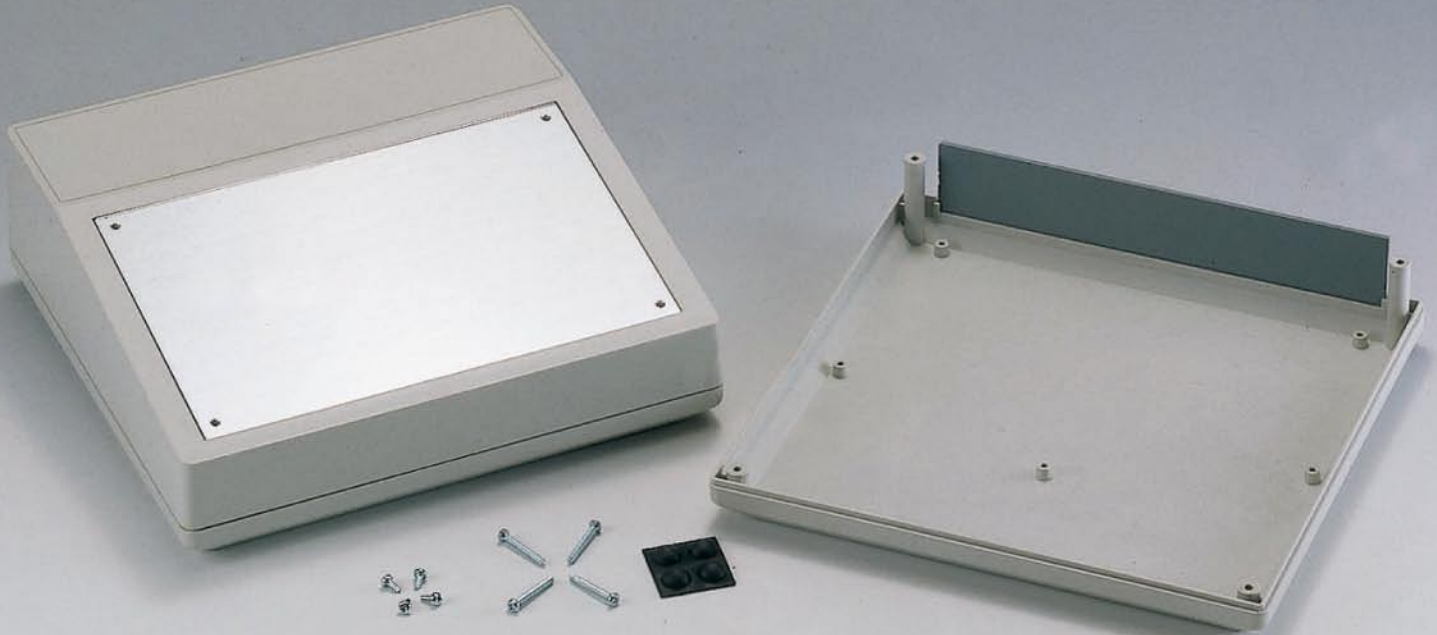
#### FEATURES:

- Modern and styling design.
- Top and bottom design with aluminum front panel which is convenient for machining.
- One plastic panel at the rear of case for cable grommets and plug entry.
- 4 PCS of rubber feet are included.

| ITEM No. | COLOR      | EXTERNAL DIMENSION(MM) |
|----------|------------|------------------------|
| G1500    | Light Grey | 220 X 156 X 100/52     |

## G15XX, TYPE B SERIES

# PRO-DESK ENCLOSURE, G1502



### PRODUCT INFORMATION

#### MATERIAL:

- High impact ABS UL94-HB.

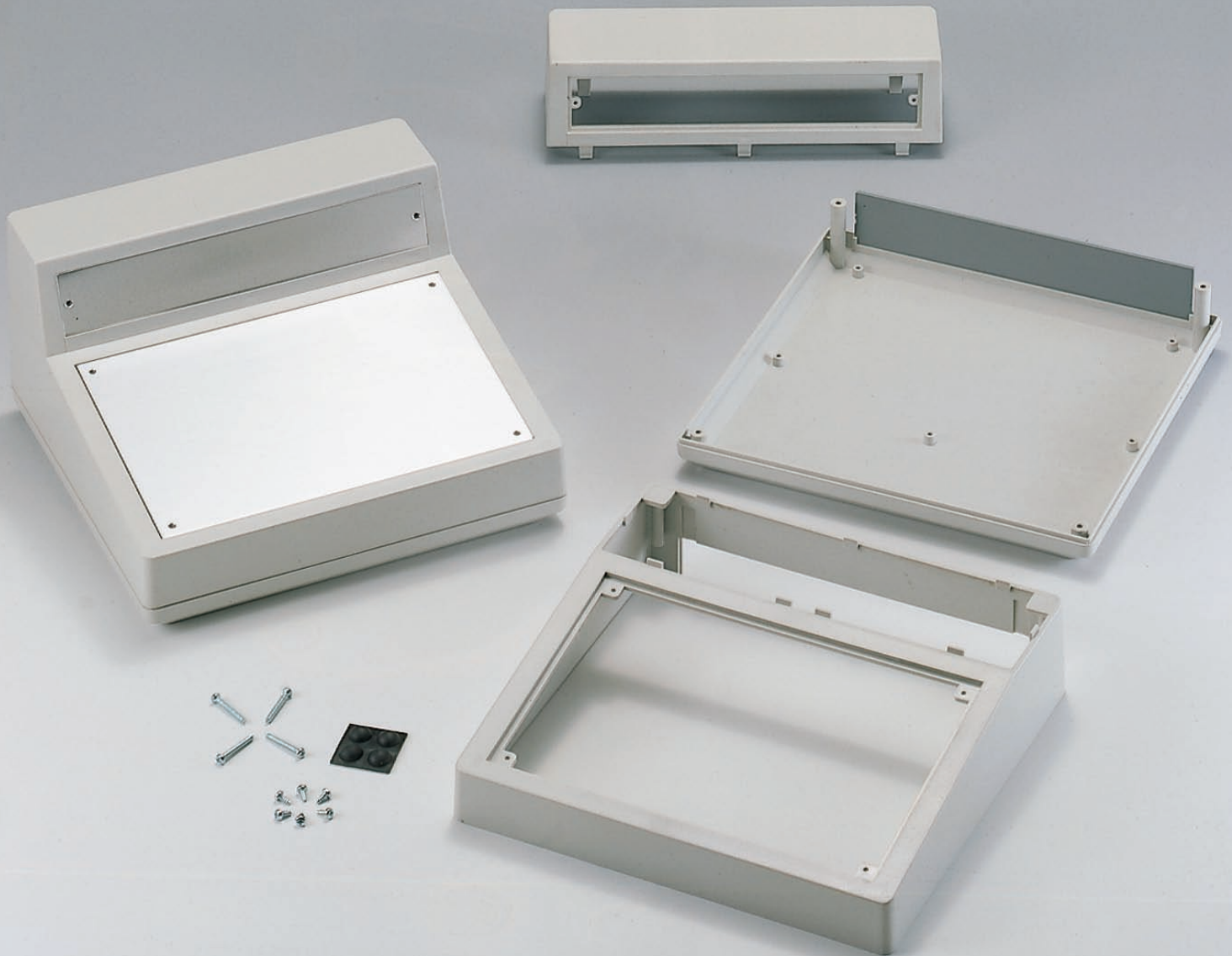
#### FEATURES:

- Modern and styling design.
- Top and bottom design with aluminum front panel which is convenient for machining.
- One plastic panel at the rear of case for cable grommets and plug entry.
- 4 PCS of rubber feet are included.

| ITEM No. | COLOR      | EXTERNAL DIMENSION(MM) |
|----------|------------|------------------------|
| G1502    | Light Grey | 228 X 216 X 76/50      |

## G15XX, TYPE C SERIES

# PRO-DESK ENCLOSURE, G1507



### PRODUCT INFORMATION

#### MATERIAL:

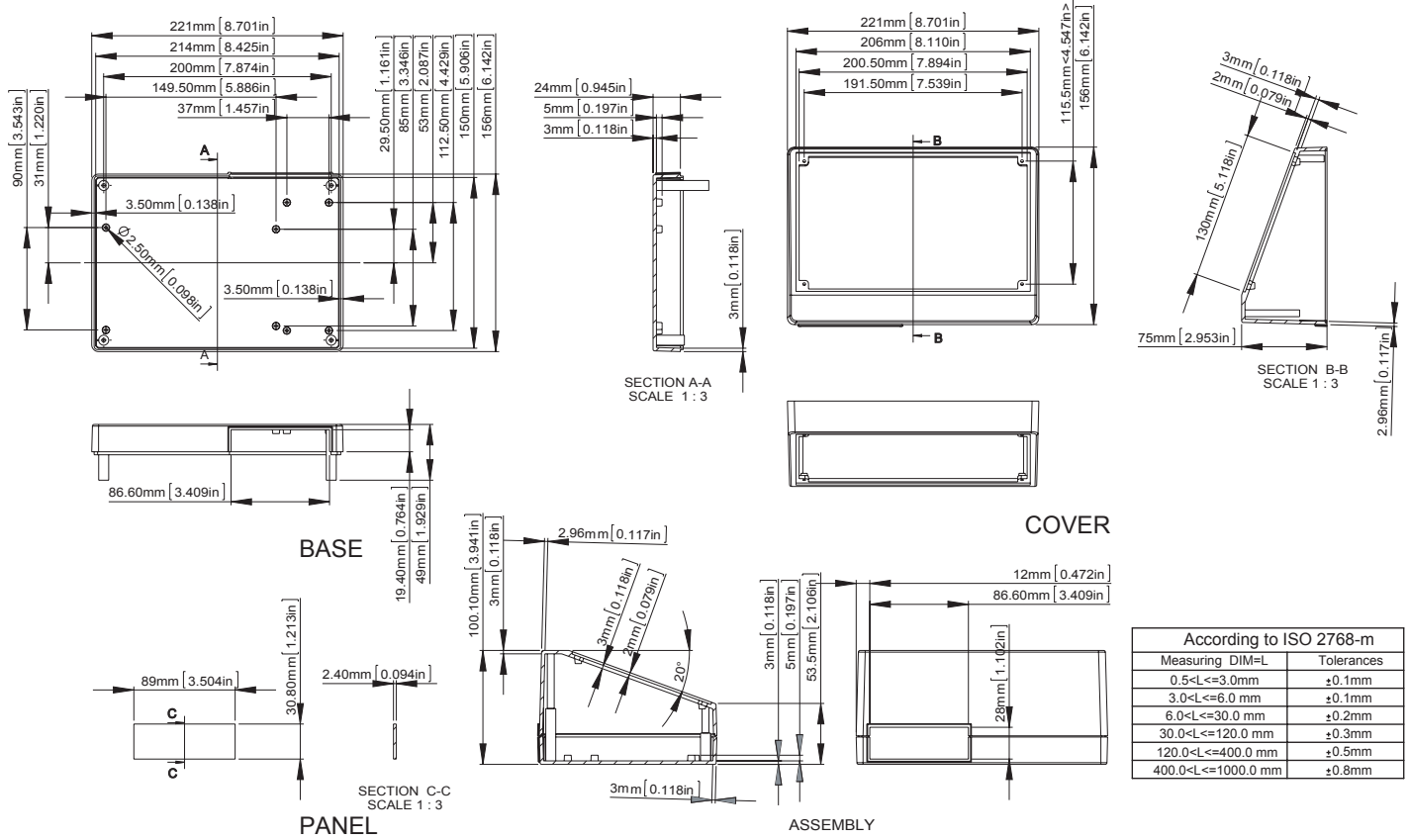
- High impact ABS UL94-HB.

#### FEATURES:

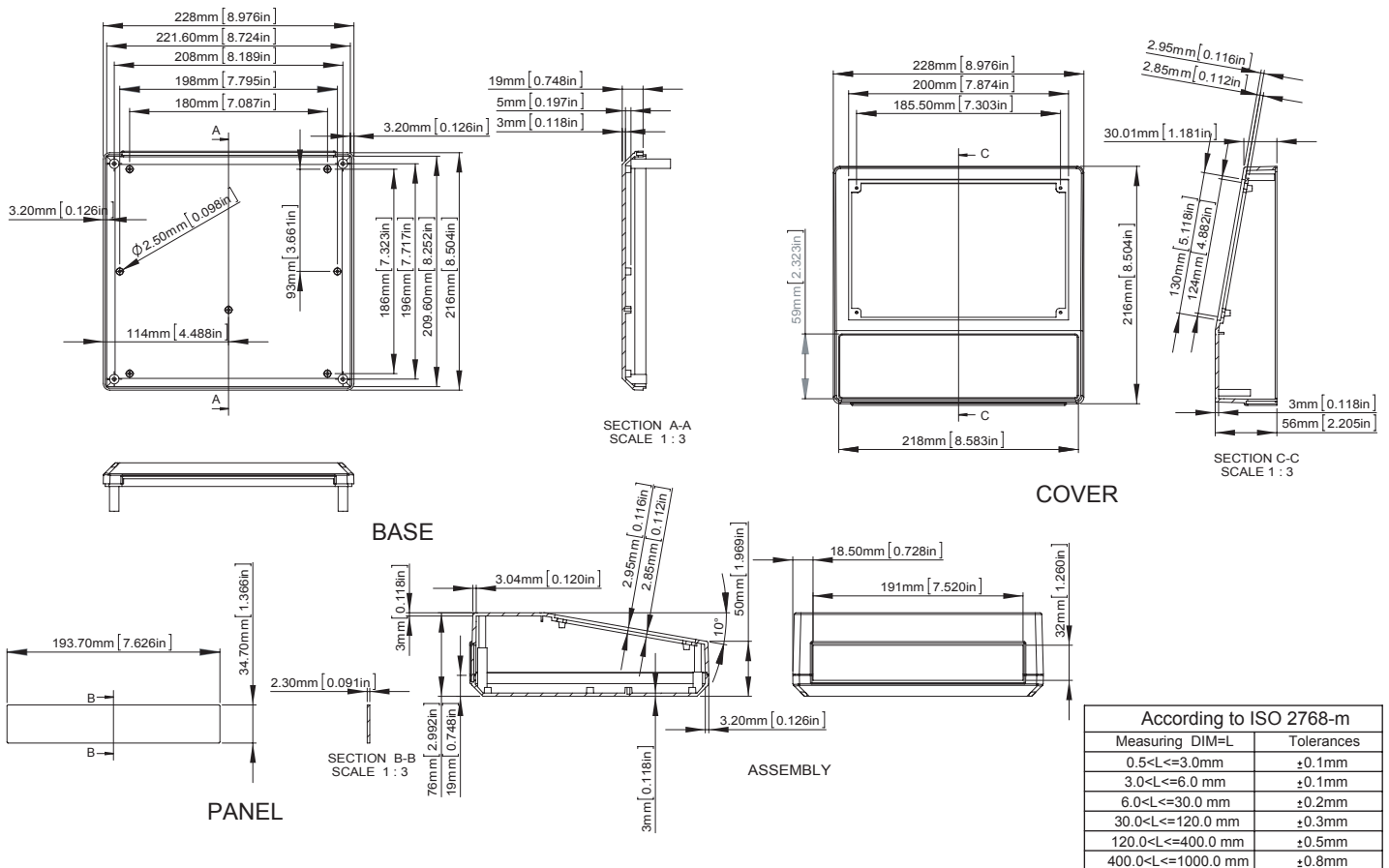
- Modern and styling design.
- Top and bottom design with aluminum front panel which is convenient for machining.
- One plastic panel at the rear of case for cable grommets and plug entry.
- 4 PCS of rubber feet are included.

| ITEM No. | COLOR      | EXTERNAL DIMENSION(MM) |
|----------|------------|------------------------|
| G1507    | Light Gray | 228 X 216 X 126/50     |

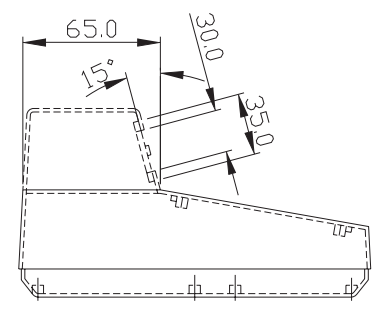
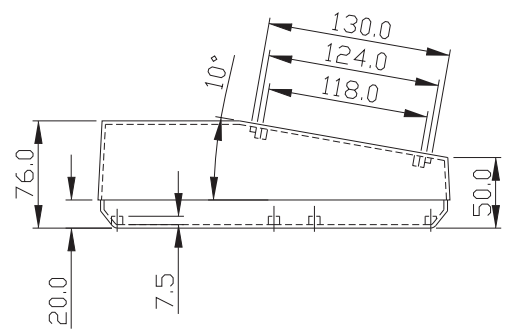
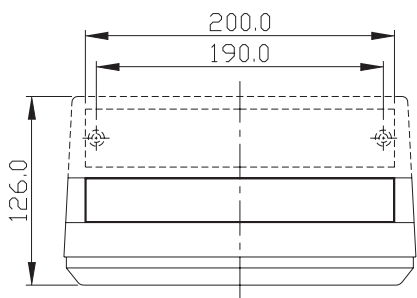
# G1500



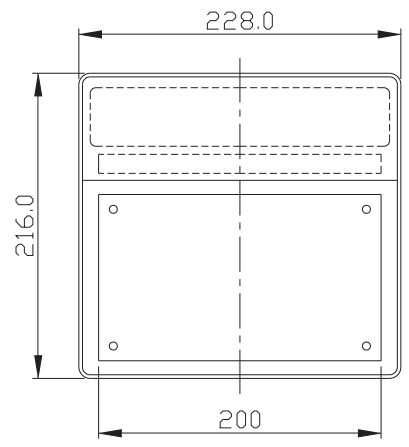
# G1502



**G1507**



Bottom part inside view



Back view

