

MULTI-PURPOSE, DIE-CAST ALUMINIUM BOX



PRODUCT INFORMATION

MATERIAL:

- Aluminium alloy ADC-12 to Japan (JIS)

FEATURES:

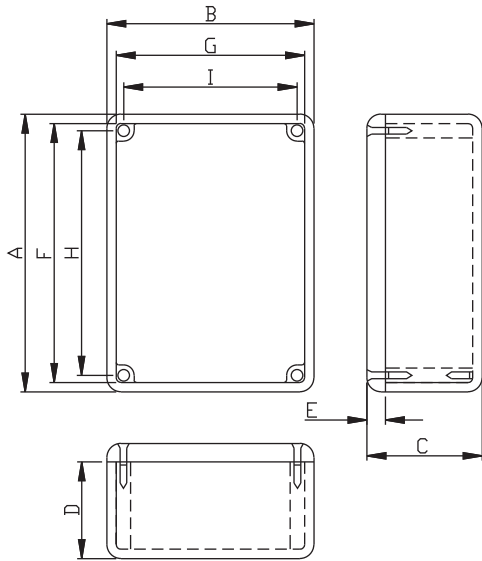
- Ideal for RF projects or for projects which are subject to weather.
- Robust, light weight and easy to machine.
- Ideal for projects involving heat as the case itself makes an excellent heatsink.

APPLICATION:

- Electrical
- Network junction box
- Stomp box (Guitar Pedal)

ITEM No.	EXTERNAL DIMENSION(mm)
G0123	90 x 38 x 30
G0124	111 x 60 x 30
G0234	119 x 93.5 x 56.5
G0247	187 x 118 x 56.5
G0347	187 x 118 x 81.7
G0470	50.8 x 50.8 x 31.8
G0471	110 x 82.5 x 44.5
G0472	120.5 x 80 x 59.2
G0473	119 x 93.5 x 34
G0474	120.5 x 120.5 x 59.2
G0475	120.5 x 120.5 x 95.2
G0476	152.4 x 82.5 x 50.8
G0477	187 x 118 x 38
G0478	190.5 x 190.5 x 66.5
G0479	111 x 60 x 54

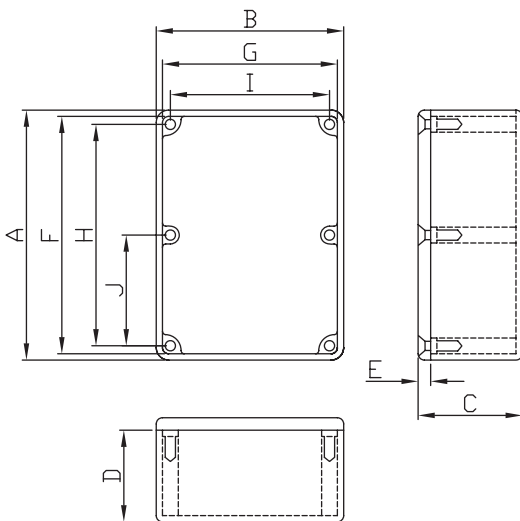
G0123, G0124, G0234, G0470, G0471, G0472, G0473, G0474, G0475, G0479



Dimension in mm

PART NO.	A	B	C	D	E	F	G	H	I
G0123	90.0	38.0	30.0	26.0	4.0	86.6	34.6	82.5	28.6
G0124	111.0	60.0	30.0	26.0	4.0	107.2	56.2	101.6	50.8
G0234	119.0	93.5	56.5	52.5	4.0	114.2	88.7	109.5	84.1
G0470	50.8	50.8	31.8	27.8	4.0	47.4	47.4	41.2	41.2
G0471	110.0	82.5	44.5	40.5	4.0	105.2	77.7	100.5	73.0
G0472	120.5	80.0	59.2	55.2	4.0	115.7	75.2	111.1	70.5
G0473	119.0	93.5	34.0	30.0	4.0	114.2	88.7	109.5	84.2
G0474	120.5	120.5	59.2	55.2	4.0	115.7	115.7	111.1	111.1
G0475	120.5	120.5	95.2	91.2	4.0	115.7	115.7	111.1	111.1
G0479	111.0	60.0	54.0	50.0	4.0	107.2	56.2	101.6	50.8

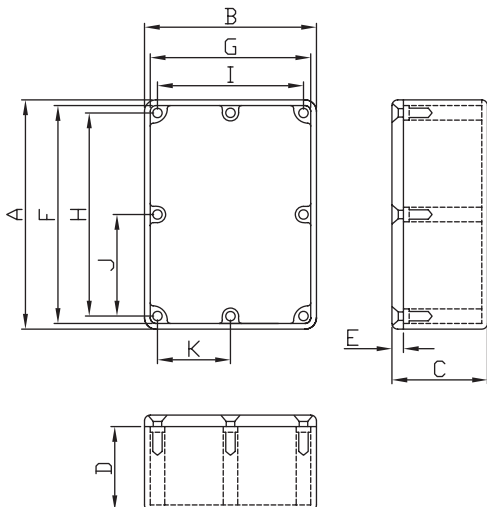
G0247, G0347, G0476, G0477



Dimension in mm

PART NO.	A	B	C	D	E	F	G	H	I	J
G0247	187.5	119.0	56.5	52.5	4.0	183.0	114.5	177.8	109.5	88.9
G0347	187.0	118.0	81.7	77.7	4.0	182.2	113.2	177.8	109.5	88.9
G0476	152.4	82.5	50.8	46.8	4.0	147.6	77.7	142.5	72.6	71.3
G0477	187.0	118.0	38.0	34.0	4.0	182.2	113.2	177.8	109.5	88.9

G0478



Dimension in mm

PART NO.	A	B	C	D	E	F	G	H	I	J	K
G0478	190.5	190.5	66.5	62.5	4.0	185.7	185.7	180.6	180.6	90.3	90.3