

PRODUCT INFORMATION

MATERIAL:

- High impact Polycarbonate/ABS UL94-V0, grey.

FEATURES:

- DIN rail module boxes supplied in a range of 8 different sizes (1M, 2M ,3M, 4M ,5M, 6M, 9M & 12M).
- Designed to incorporate DIN EN60715 Rail.
- Easy assembly snap fit construction.
- Snap fit terminal covers available in either transparent or IR Red polycarbonate UL94-V0.
- Available with snap fit grey guards.

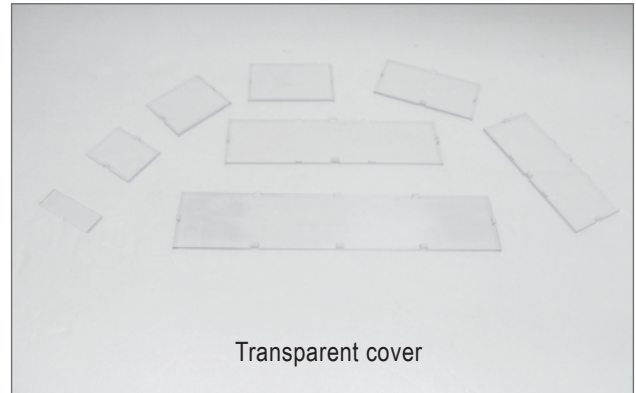
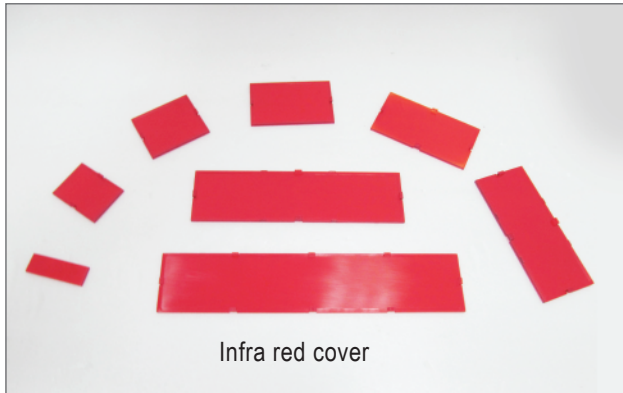
Content D4MG



| ITEM No. | PRODUCT DESCRIPTION | COLOR | EXTERNAL DIMENSION(mm) |
|------------------|----------------------------|-------|------------------------|
| D1MG | DIN-RAIL MODULE BOX , 1MG | Grey | 18.1 X 90.2 X 57.5 |
| D2MG | DIN-RAIL MODULE BOX , 2MG | Grey | 36.3 X 90.2 X 57.5 |
| D3MG | DIN-RAIL MODULE BOX , 3MG | Grey | 53.3 X 90.2 X 57.5 |
| D4MG | DIN-RAIL MODULE BOX , 4MG | Grey | 71 X 90.2 X 57.5 |
| NEW D5MG | DIN-RAIL MODULE BOX , 5MG | Grey | 83.6 X 90.2 X 57.5 |
| D6MG | DIN-RAIL MODULE BOX , 6MG | Grey | 106.25 X 90.2 X 57.5 |
| D9MG | DIN-RAIL MODULE BOX , 9MG | Grey | 159.5 X 90.2 X 57.5 |
| NEW D12MG | DIN-RAIL MODULE BOX , 12MG | Grey | 212 X 90.2 X 57.5 |

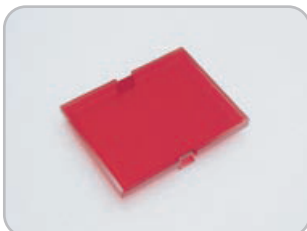
COVER (Transparent & Infra red cover) , WALL CLIP

COVER (Transparent & Infra red cover)



| ITEM No. | PRODUCT DESCRIPTION | MATERIAL | EXTERNAL DIMENSION(mm) |
|---------------------------|---------------------------------|----------|------------------------|
| D1MG-COVER-C | Transparent cover for D1MG use | PC-V0 | 42 x 14 x 1.9 |
| D1MG-COVER-IR | Infra red cover for D1MG use | PC-V0 | 42 x 14 x 1.9 |
| D2MG-COVER-C | Transparent cover for D2MG use | PC-V0 | 42 x 32.1 x 2.5 |
| D2MG-COVER-IR | Infra red cover for D2MG use | PC-V0 | 42 x 32.1 x 2.5 |
| D3MG-COVER-C | Transparent cover for D3MG use | PC-V0 | 42 x 49 x 2.5 |
| D3MG-COVER-IR | Infra red cover for D3MG use | PC-V0 | 42 x 49 x 2.5 |
| D4MG-COVER-C | Transparent cover for D4MG use | PC-V0 | 42 x 66.8 x 2.5 |
| D4MG-COVER-IR | Infra red cover for D4MG use | PC-V0 | 42 x 66.8 x 2.5 |
| NEW D5MG-COVER-C | Transparent cover for D5MG use | PC-V0 | 42 x 79.3 x 2.5 |
| NEW D5MG-COVER-IR | Infra red cover for D5MG use | PC-V0 | 42 x 79.3 x 2.5 |
| D6MG-COVER-C | Transparent cover for D6MG use | PC-V0 | 42 x 102.1 x 2.5 |
| D6MG-COVER-IR | Infra red cover for D6MG use | PC-V0 | 42 x 102.1 x 2.5 |
| D9MG-COVER-C | Transparent cover for D9MG use | PC-V0 | 42 x 155.4 x 2.5 |
| D9MG-COVER-IR | Infra red cover for D9MG use | PC-V0 | 42 x 155.4 x 2.5 |
| NEW D12MG-COVER-C | Transparent cover for D12MG use | PC-V0 | 42 x 207.9 x 2.5 |
| NEW D12MG-COVER-IR | Infra red cover for D12MG use | PC-V0 | 42 x 207.9 x 2.5 |

Example:



D2MG-COVER-IR



D2MG
with D2MG-COVER-IR

Example:



D9MG-COVER-C



D9MG
with D9MG-COVER-C

WALL CLIP

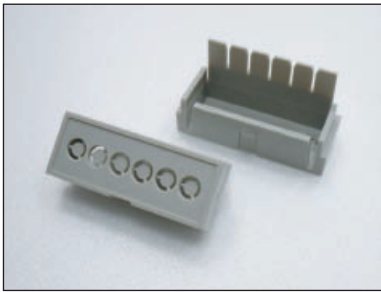
Example:



| ITEM No. | PRODUCT DESCRIPTION |
|-----------------------|---------------------------------------|
| DXMG-WALL CLIP | Wall clip for DIN-Rail module box use |

Guard (Perforated, Solid and Pre-drilled)

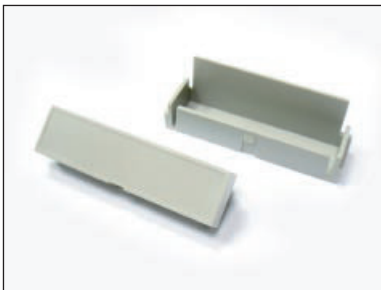
GUARD



D2MG-GUARD
(Perforated)

TYPE A : Perforated

| ITEM No. | TYPE | PRODUCT DESCRIPTION | SALES PACKAGE |
|-----------------------|------------|-------------------------------|---------------|
| D1MG-GUARD | Perforated | For D1MG use | 2pcs/bag |
| D2MG-GUARD | Perforated | For D2MG use | 2pcs/bag |
| D4MG-GUARD | Perforated | For D4MG use | 2pcs/bag |
| NEW D5MG-GUARD | Perforated | For D5MG use | 2pcs/bag |
| D3MG/D6MG/D9MG-GUARD | Perforated | For D3MG/D6MG/D9MG /D12MG use | 2pcs/bag |



D3MG/D6MG/D9MG-GUARD-NO
(Solid)

TYPE B : Solid

| ITEM No. | TYPE | PRODUCT DESCRIPTION | SALES PACKAGE |
|--------------------------|-------|-------------------------------|---------------|
| D1MG-GUARD-NO | Solid | For D1MG use | 2pcs/bag |
| D2MG-GUARD-NO | Solid | For D2MG use | 2pcs/bag |
| D4MG-GUARD-NO | Solid | For D4MG use | 2pcs/bag |
| NEW D5MG-GUARD-NO | Solid | For D5MG use | 2pcs/bag |
| D3MG/D6MG/D9MG-GUARD-NO | Solid | For D3MG/D6MG/D9MG /D12MG use | 2pcs/bag |



D1MG-GUARD-HH
(Pre-drilled)

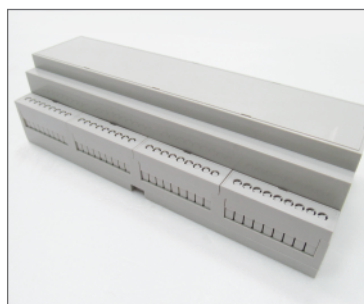
TYPE C : Pre-drilled

| ITEM No. | TYPE | PRODUCT DESCRIPTION | SALES PACKAGE |
|--------------------------|-------------|-------------------------------|---------------|
| D1MG-GUARD-HH | Pre-drilled | For D1MG use | 2pcs/bag |
| D2MG-GUARD-HH | Pre-drilled | For D2MG use | 2pcs/bag |
| D4MG-GUARD-HH | Pre-drilled | For D4MG use | 2pcs/bag |
| NEW D5MG-GUARD-HH | Pre-drilled | For D5MG use | 2pcs/bag |
| D3MG/D6MG/D9MG-GUARD-HH | Pre-drilled | For D3MG/D6MG/D9MG /D12MG use | 2pcs/bag |

Example



D6MG
(with D3/D6/D9MG-GUARD)



D12MG
(with D3MG/D6MG/D9MG-GUARD)



D1MG
(with D1MG-GUARD-HH)

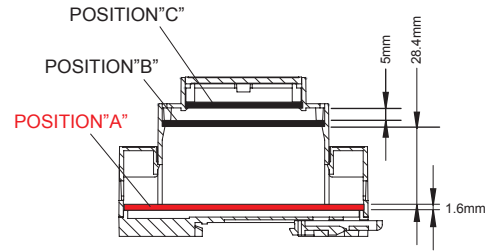
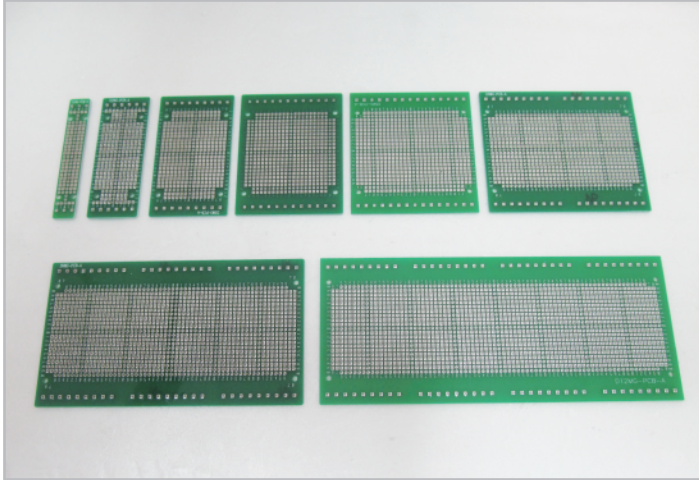
Example (Sales Package)



(2pcs/bag)

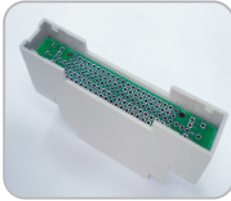
PCB and Terminal Block

PCB of position "A" for DXMG use

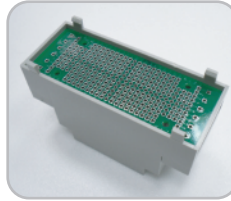


| Part No. | Dimension (mm) | | |
|------------------------|----------------|-------|-----------|
| | LENGTH | WIDTH | THICKNESS |
| D1MG-PCB-A | 14.3 | 86.9 | 1.6 |
| D2MG-PCB-A | 32.8 | 86.9 | 1.6 |
| D3MG-PCB-A | 50 | 86.9 | 1.6 |
| D4MG-PCB-A | 67.8 | 86.9 | 1.6 |
| NEW D5MG-PCB-A | 80 | 86.9 | 1.6 |
| D6MG-PCB-A | 102.8 | 86.9 | 1.6 |
| D9MG-PCB-A | 156.2 | 86.9 | 1.6 |
| NEW D12MG-PCB-A | 208.4 | 86.9 | 1.6 |

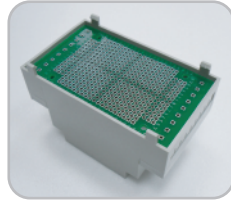
Example:



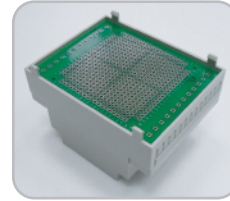
D1MG
with D1MG-PCB-A



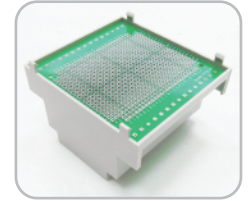
D2MG
with D2MG-PCB-A



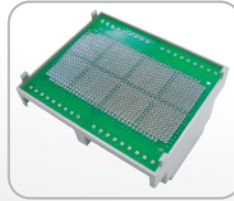
D3MG
with D3MG-PCB-A



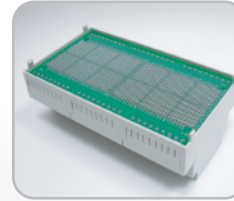
D4MG
with D4MG-PCB-A



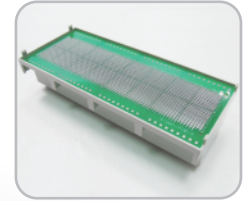
D5MG
with D5MG-PCB-A



D6MG
with D6MG-PCB-A

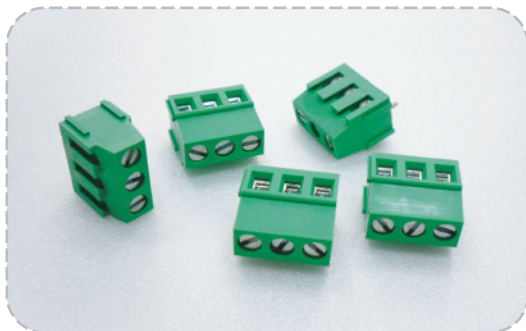


D9MG
with D9MG-PCB-A



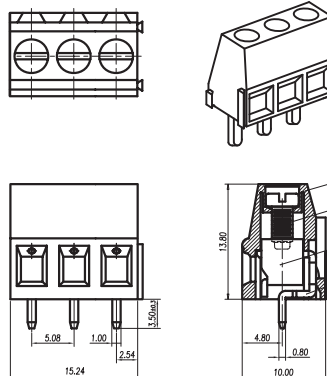
D12MG
with D12MG-PCB-A

3WAY of terminal block for DXMG use



| Part No. | Product description |
|------------------|--|
| DXMG-3WAY | 3WAY terminal block for D2MG/D3MG /D4MG/D5MG/D6MG/D9MG/D12MG use |

DXMG-3WAY DRAWING:



NOTES:

- Rating: 300V 20A (IEC 250V 24A)
PITCH: 5.08mm
- Insulation Withstands Voltage:
AC 2000V at 1 minute
- Insulation Resistance:
500M Ω or more at DC500V
- Using Temperature Range:
-40°C~+105°C
- Suitable Electric Wire:
24~12AWG (IEC 0.5~2.5mm²)
- Torque Value: 4 kg-cm
- RoHS compliance

Example:

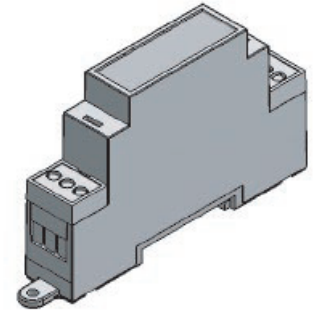
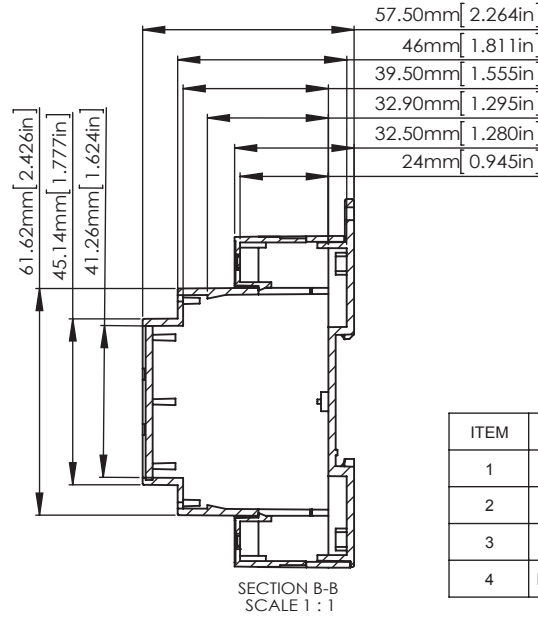
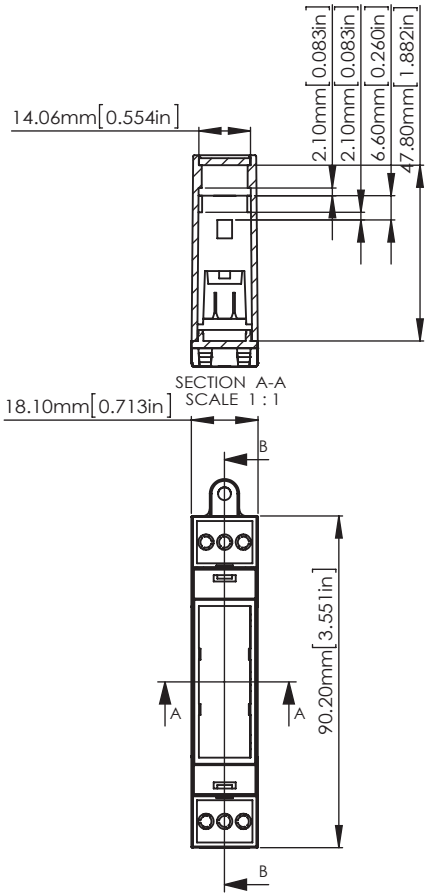


D2MG with
3WAY of terminal block



D6MG with
3WAY of terminal block

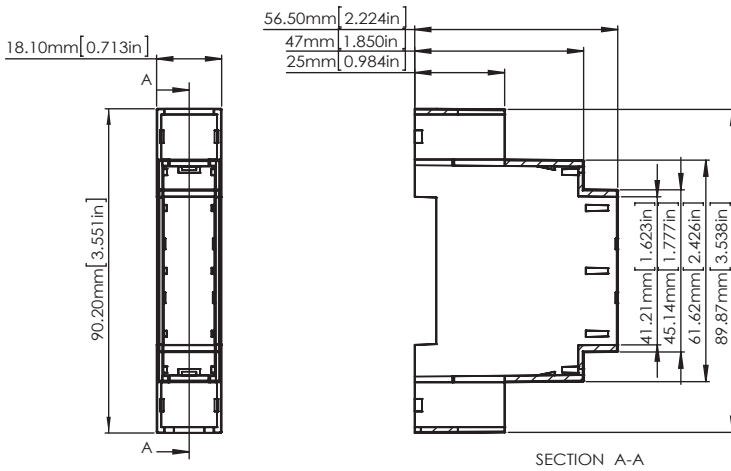
D1MG



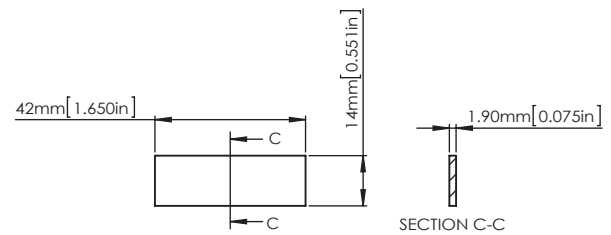
ASSEMBLY

| ITEM | DESCRIPTION | MATERIAL | COLOUR | UNIT |
|------|-------------|-----------------|--------|------|
| 1 | D1MG-BODY | PC/ABS(UL94-V0) | GREY | 1 |
| 2 | D1MG-BASE | PC/ABS(UL94-V0) | GREY | 1 |
| 3 | D1MG-COVER | PC/ABS(UL94-V0) | GREY | 1 |
| 4 | D1MG-GUARD | PC/ABS(UL94-V0) | GREY | 2 |

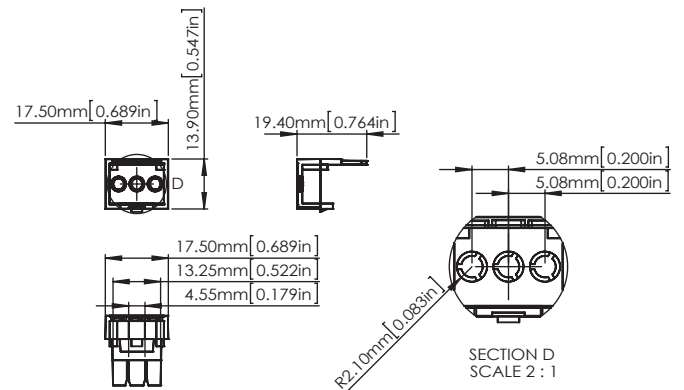
D1MG-BODY



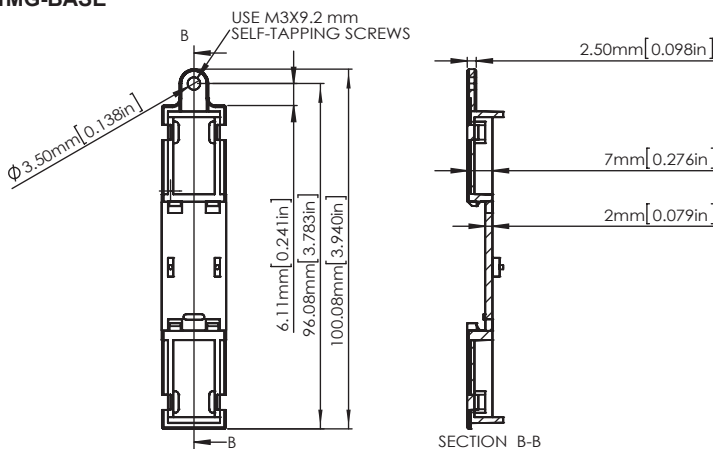
D1MG-COVER



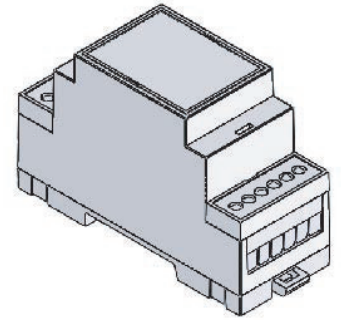
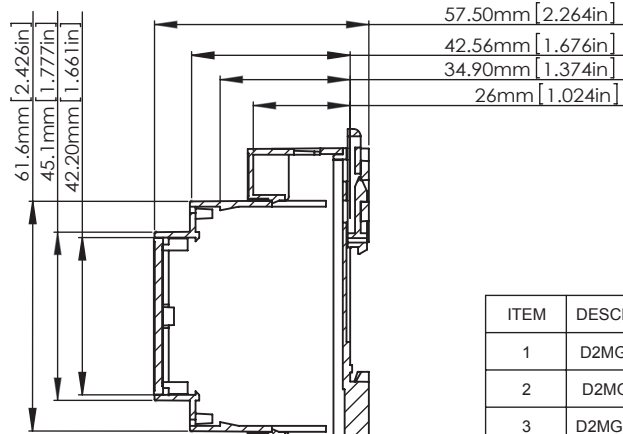
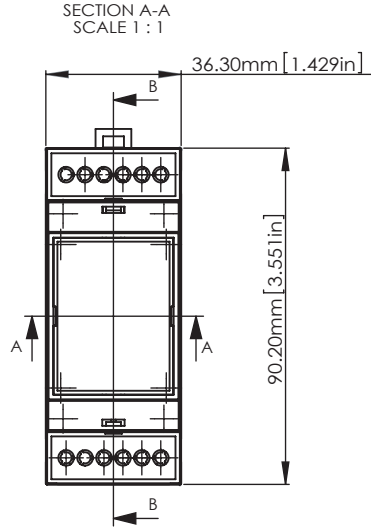
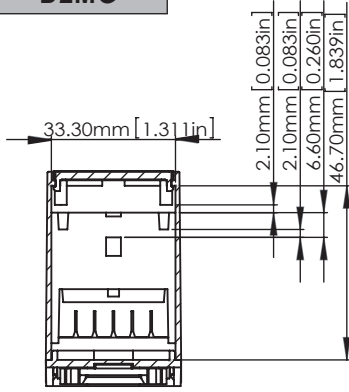
D1MG-GUARD



D1MG-BASE



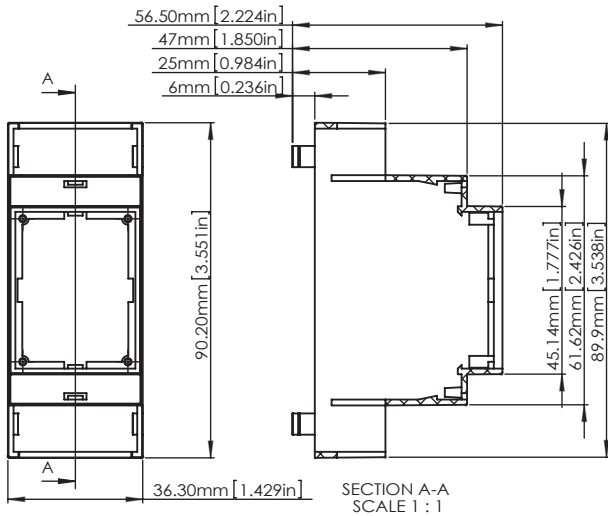
D2MG



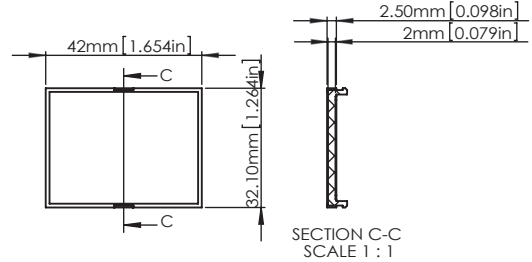
ASSEMBLY

| ITEM | DESCRIPTION | MATERIAL | COLOUR | UNIT |
|------|----------------|------------------|-----------|------|
| 1 | D2MG-BODY | PC/ABS(UL94-V0) | GREY | 1 |
| 2 | D2MG-BASE | PC/ABS(UL94-V0) | GREY | 1 |
| 3 | D2MG-COVER | PC/ABS(UL94-V0) | GREY | 1 |
| 4 | D2MG-GUARD | PC/ABS(UL94-V0) | GREY | 2 |
| 5 | D2MG-WALL CLIP | NYLON66(UL94-V0) | DARK GREY | 1 |

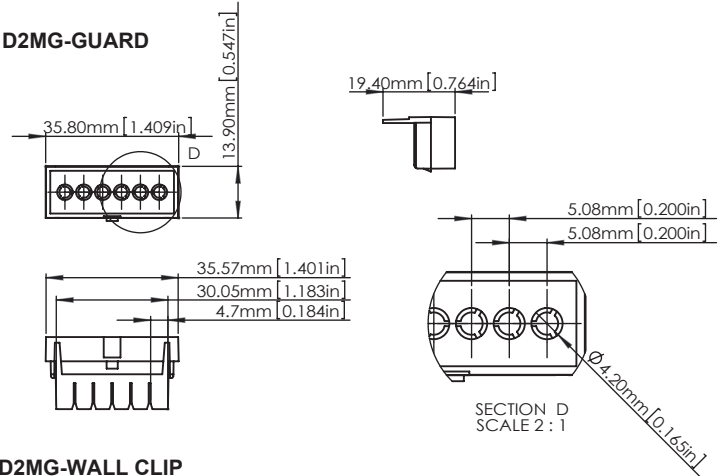
D2MG-BODY



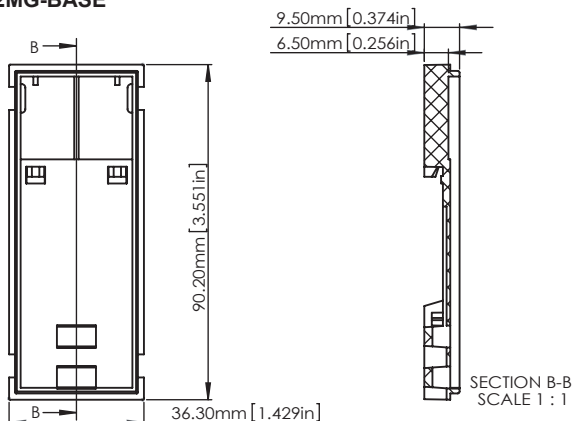
D2MG-COVER



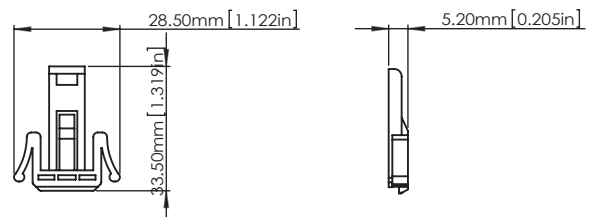
D2MG-GUARD



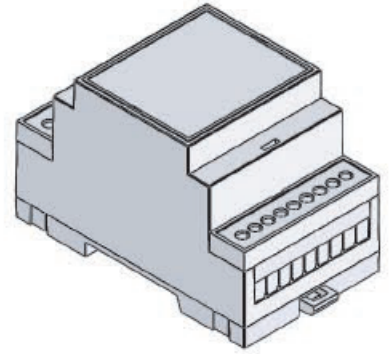
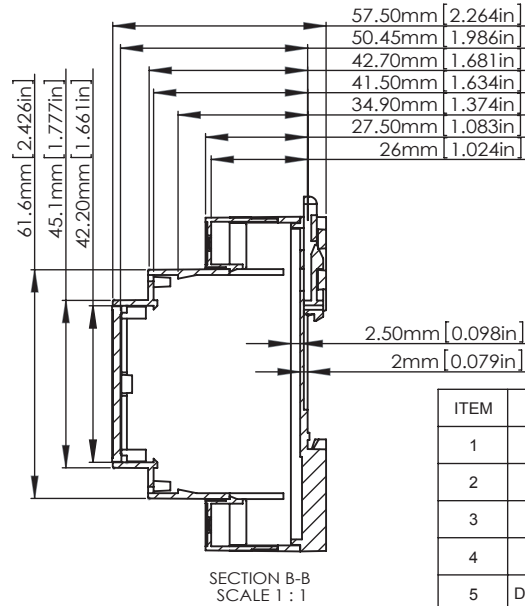
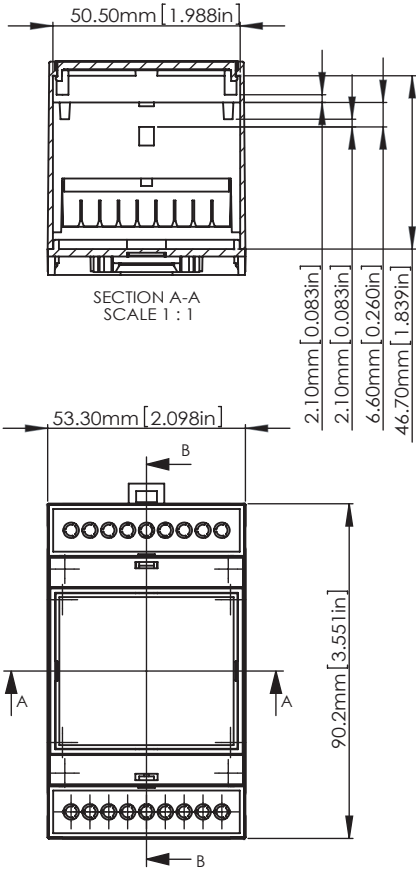
D2MG-BASE



D2MG-WALL CLIP



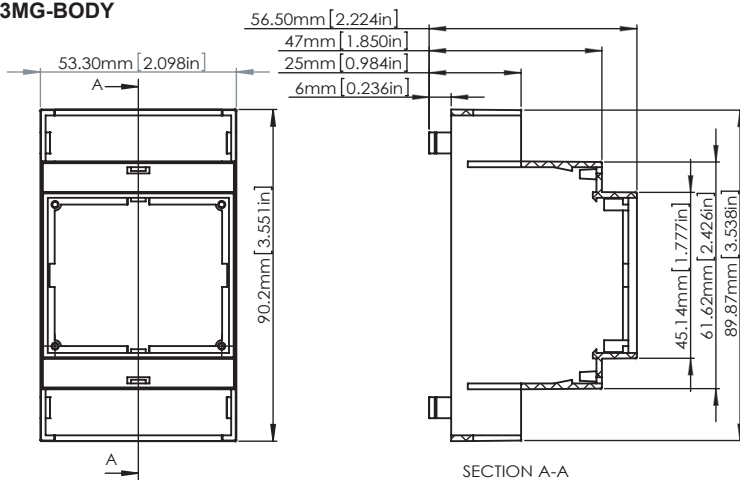
D3MG



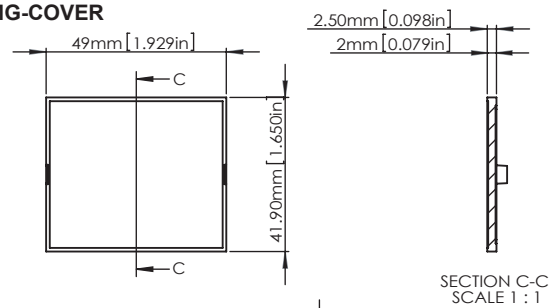
ASSEMBLY

| ITEM | DESCRIPTION | MATERIAL | COLOUR | UNIT |
|------|----------------|------------------|-----------|------|
| 1 | D3MG-BODY | PC/ABS(UL94-V0) | GREY | 1 |
| 2 | D3MG-BASE | PC/ABS(UL94-V0) | GREY | 1 |
| 3 | D3MG-COVER | PC/ABS(UL94-V0) | GREY | 1 |
| 4 | D3MG-GUARD | PC/ABS(UL94-V0) | GREY | 2 |
| 5 | D3MG-WALL CLIP | NYLON66(UL94-V0) | DARK GREY | 1 |

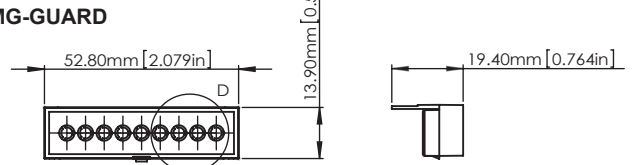
D3MG-BODY



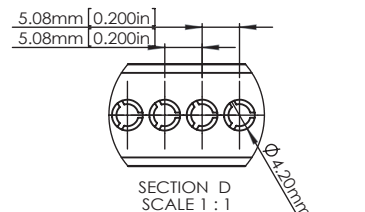
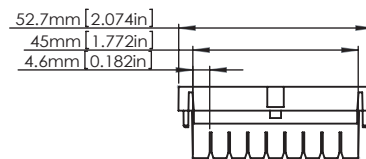
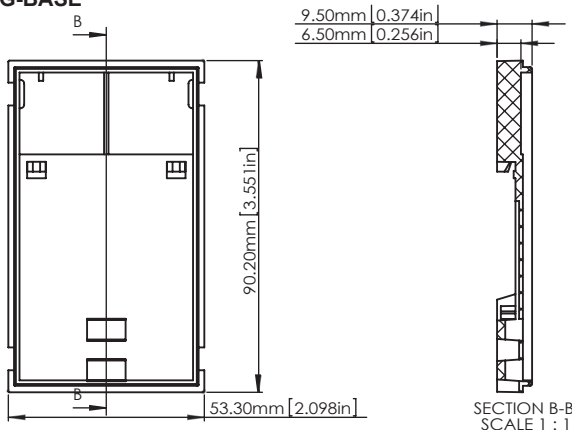
D3MG-COVER



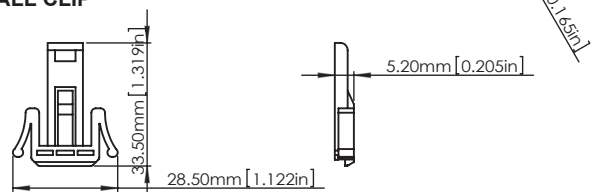
D3MG-GUARD



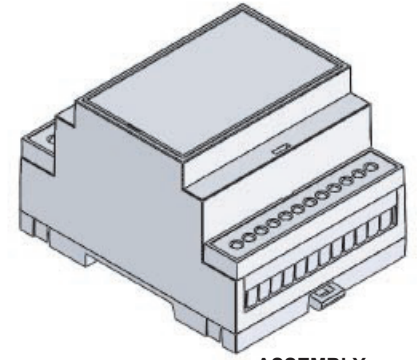
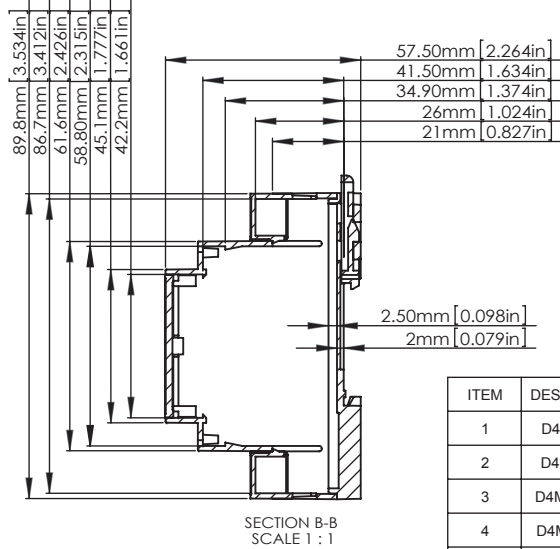
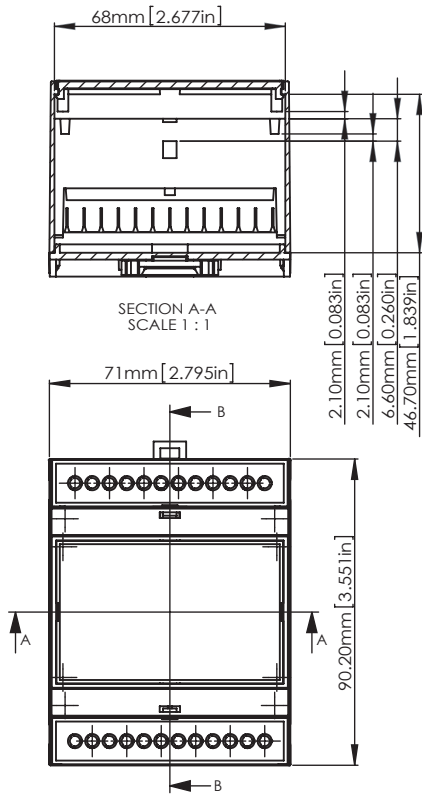
D3MG-BASE



D3MG-WALL CLIP



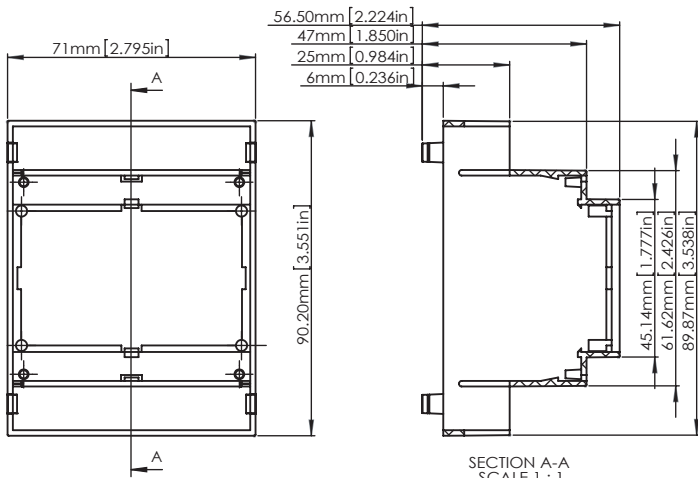
D4MG



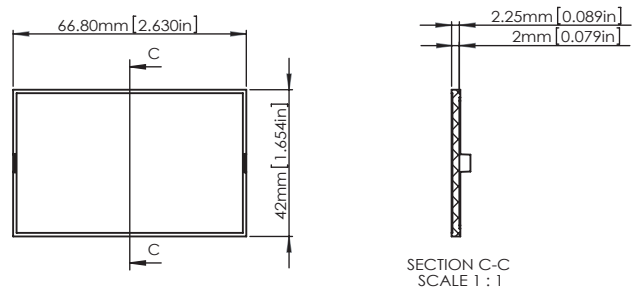
ASSEMBLY

| ITEM | DESCRIPTION | MATERIAL | COLOUR | UNIT |
|------|----------------|------------------|-----------|------|
| 1 | D4MG-BODY | PC/ABS(UL94-V0) | GREY | 1 |
| 2 | D4MG-BASE | PC/ABS(UL94-V0) | GREY | 1 |
| 3 | D4MG-COVER | PC/ABS(UL94-V0) | GREY | 1 |
| 4 | D4MG-GUARD | PC/ABS(UL94-V0) | GREY | 2 |
| 5 | D4MG-WALL CLIP | NYLON66(UL94-V0) | DARK GREY | 1 |

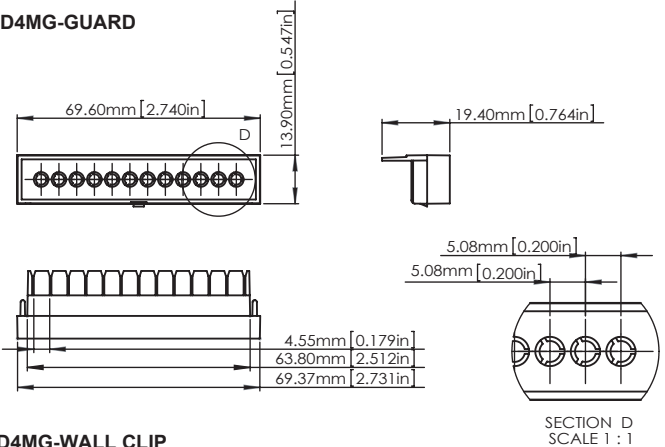
D4MG-BODY



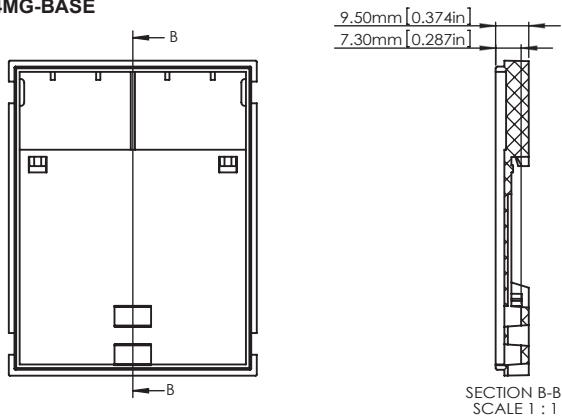
D4MG-COVER



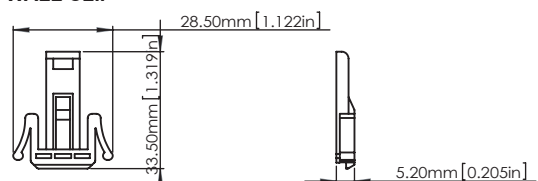
D4MG-GUARD



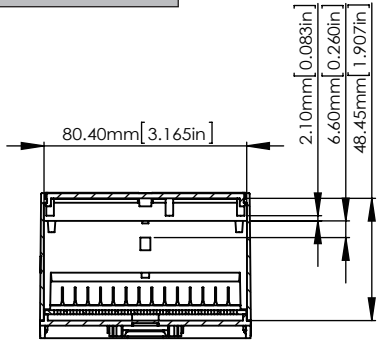
D4MG-BASE



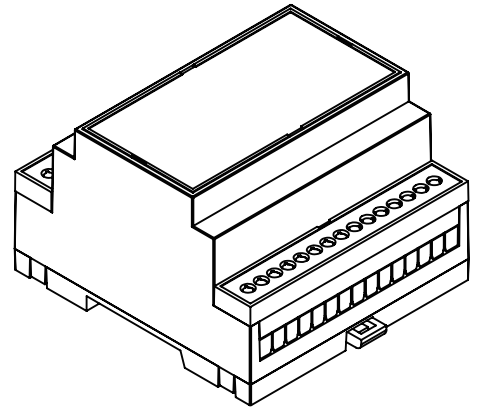
D4MG-WALL CLIP



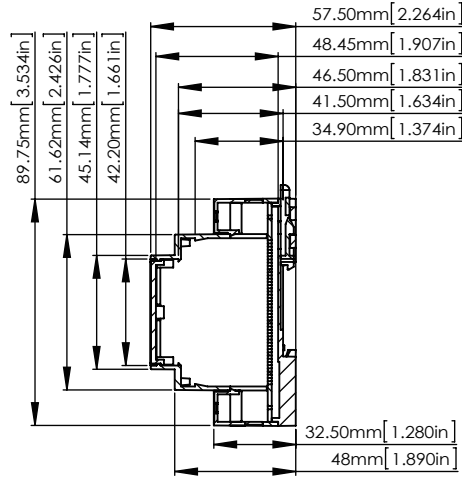
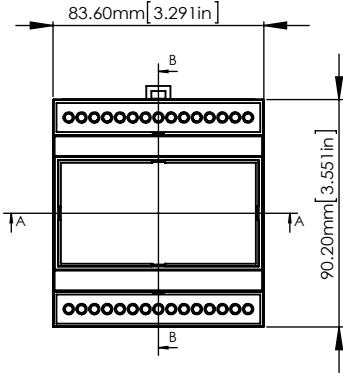
D5MG



SECTION A-A
CALE 2 : 3



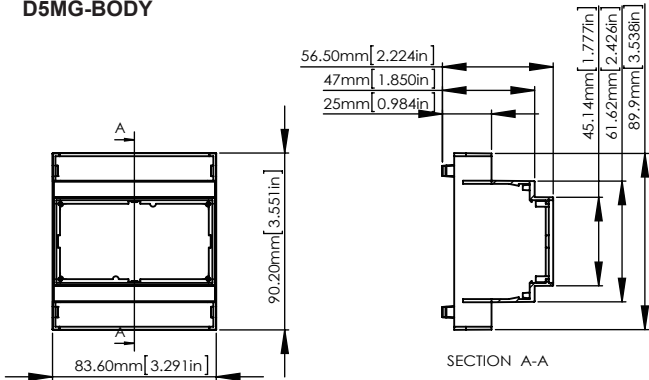
ASSEMBLY



SECTION B-B
SCALE 2 : 3

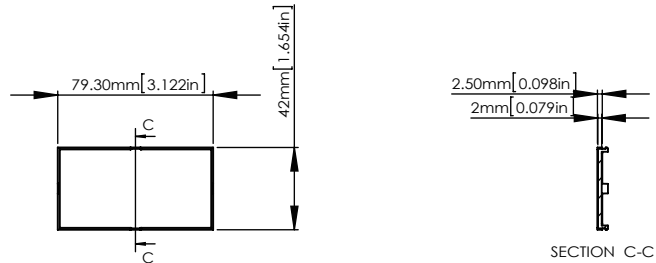
| ITEM | DESCRIPTION | MATERIAL | COLOUR | UNIT |
|------|----------------|------------------|-----------|------|
| 1 | D5MG-BODY | PC/ABS(UL94-V0) | GREY | 1 |
| 2 | D5MG-BASE | PC/ABS(UL94-V0) | GREY | 1 |
| 3 | D5MG-COVER | PC/ABS(UL94-V0) | GREY | 1 |
| 4 | D5MG-GUARD | PC/ABS(UL94-V0) | GREY | 2 |
| 5 | D5MG-WALL CLIP | NYLON66(UL94-V0) | DARK GREY | 1 |

D5MG-BODY



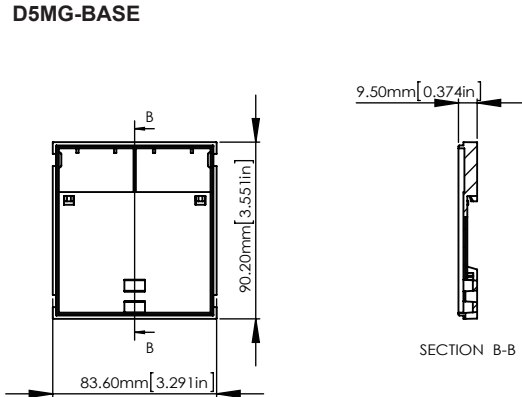
SECTION A-A

D5MG-COVER



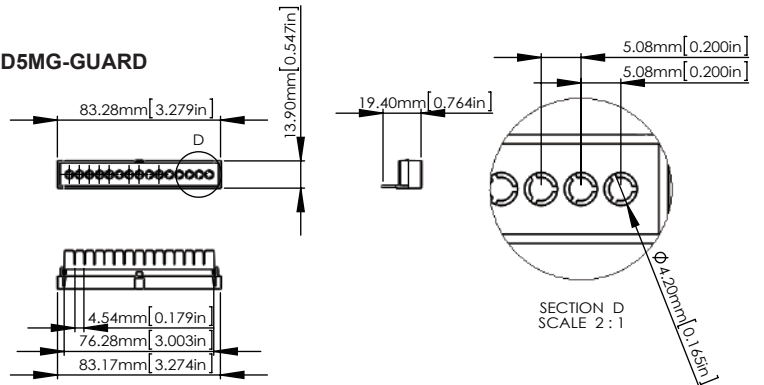
SECTION C-C

D5MG-BASE



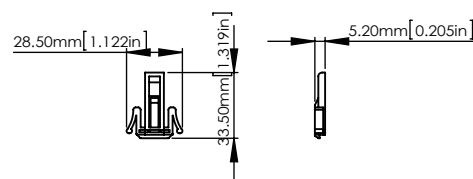
SECTION B-B

D5MG-GUARD

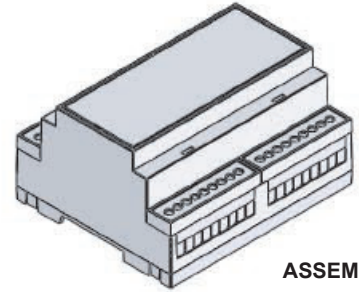
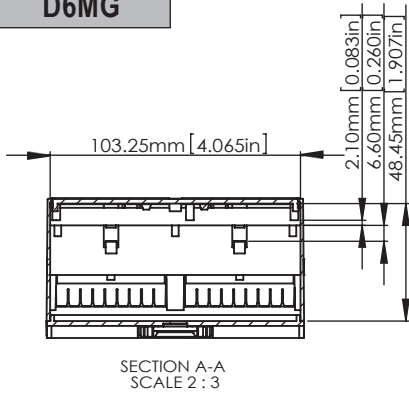


SECTION D
SCALE 2 : 1

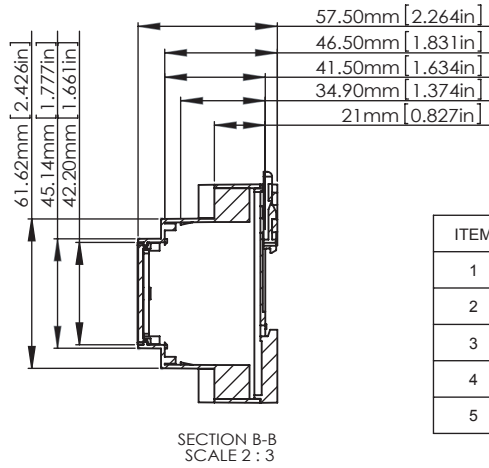
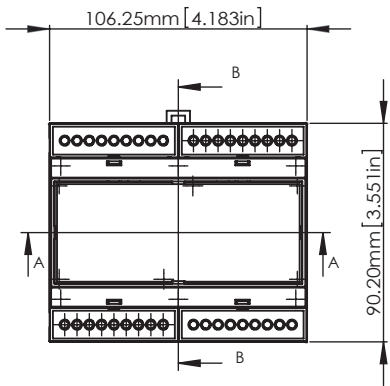
D5MG-WALL CLIP



D6MG

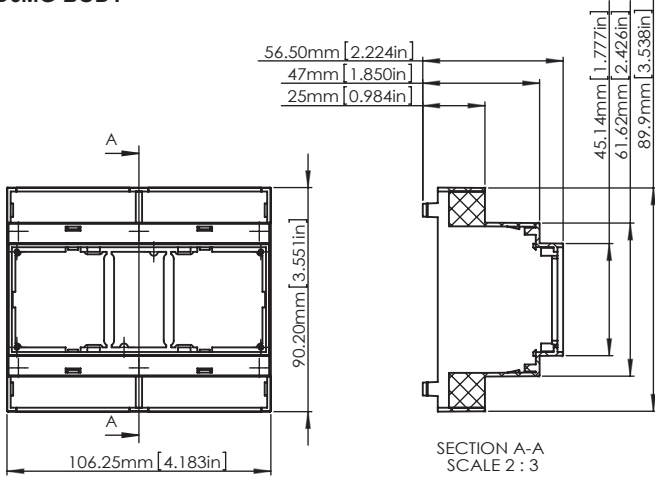


ASSEMBLY

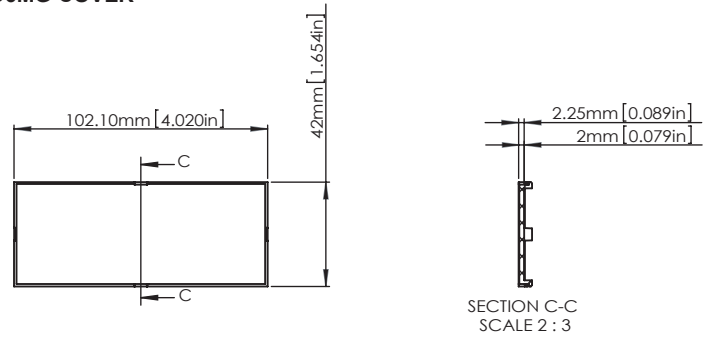


| ITEM | DESCRIPTION | MATERIAL | COLOUR | UNIT |
|------|----------------|------------------|-----------|------|
| 1 | D6MG-BODY | PC/ABS(UL94-V0) | GREY | 1 |
| 2 | D6MG-BASE | PC/ABS(UL94-V0) | GREY | 1 |
| 3 | D6MG-COVER | PC/ABS(UL94-V0) | GREY | 1 |
| 4 | D6MG-GUARD | PC/ABS(UL94-V0) | GREY | 4 |
| 5 | D6MG-WALL CLIP | NYLON66(UL94-V0) | DARK GREY | 1 |

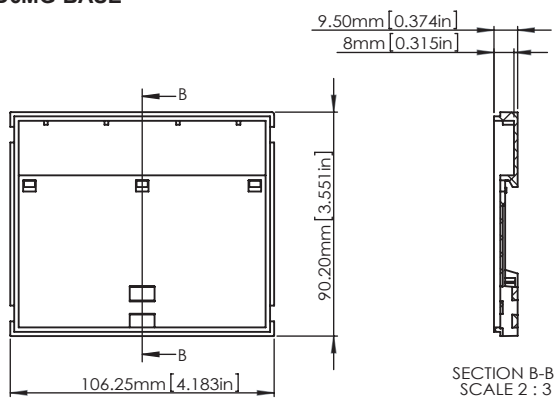
D6MG-BODY



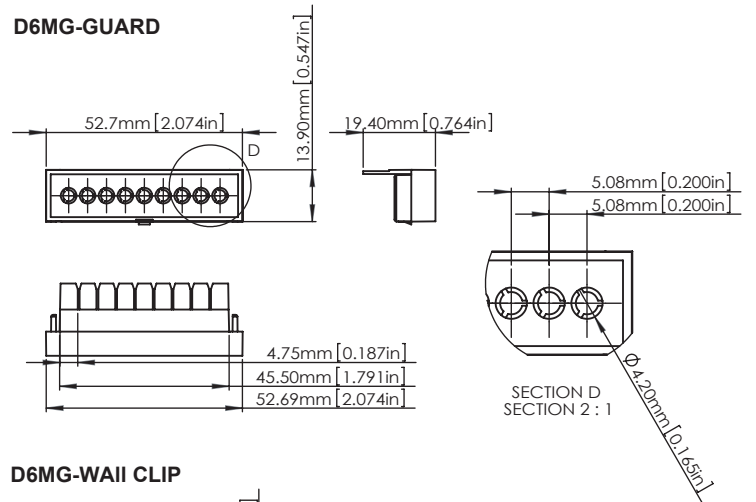
D6MG-COVER



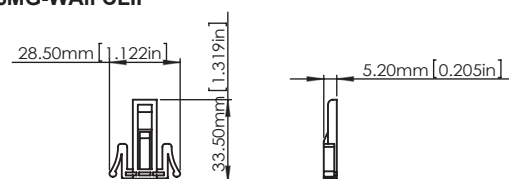
D6MG-BASE



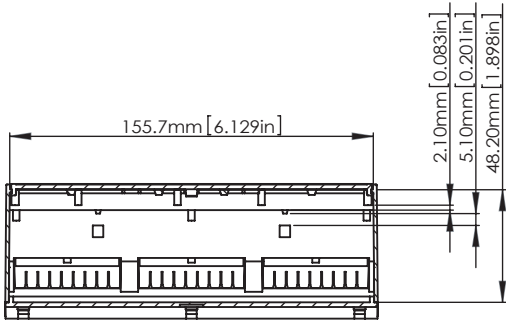
D6MG-GUARD



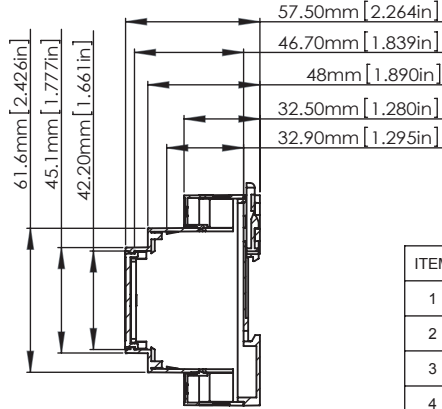
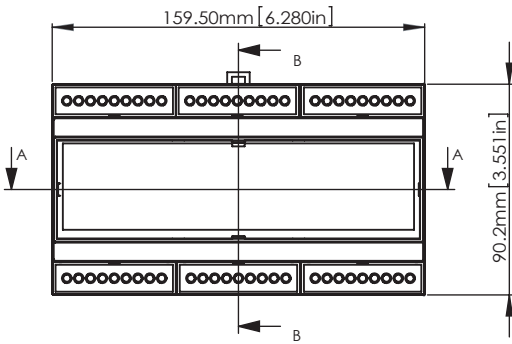
D6MG-WALL CLIP



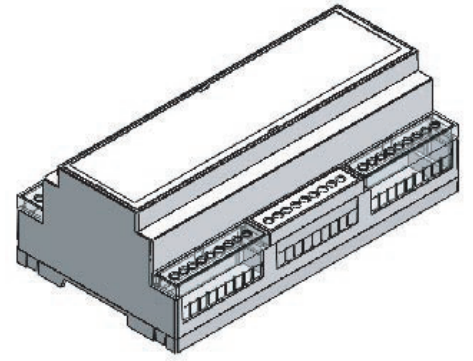
D9MG



SECTION A-A
SCALE 2 : 3



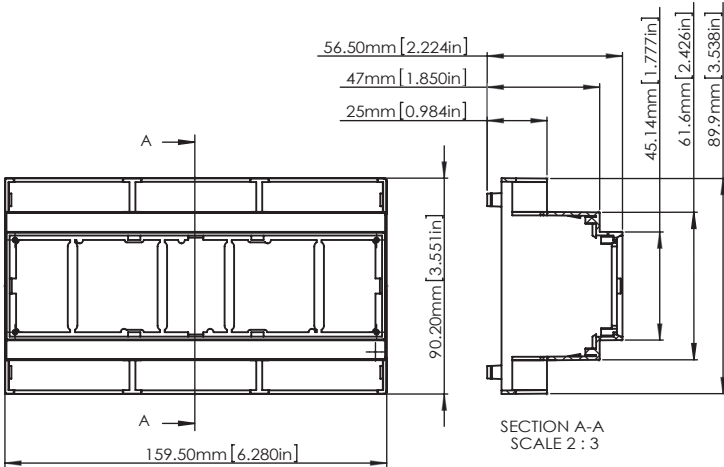
SECTION B-B
SCALE 2 : 3



ASSEMBLY

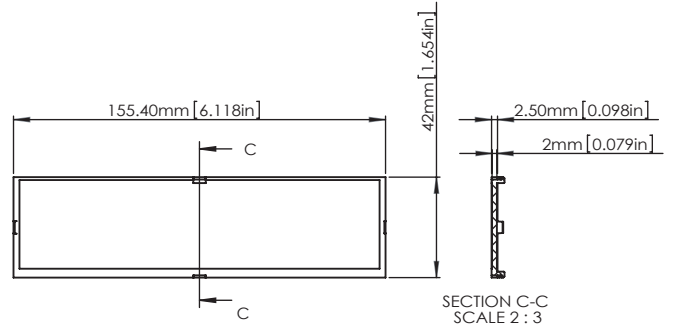
| ITEM | DESCRIPTION | MATERIAL | COLOUR | UNIT |
|------|----------------|------------------|-----------|------|
| 1 | D9MG-BODY | PC/ABS(UL94-V0) | GREY | 1 |
| 2 | D9MG-BASE | PC/ABS(UL94-V0) | GREY | 1 |
| 3 | D9MG-COVER | PC/ABS(UL94-V0) | GREY | 1 |
| 4 | D9MG-GUARD | PC/ABS(UL94-V0) | GREY | 6 |
| 5 | D9MG-WALL CLIP | NYLON66(UL94-V0) | DARK GREY | 1 |

D9MG-BODY



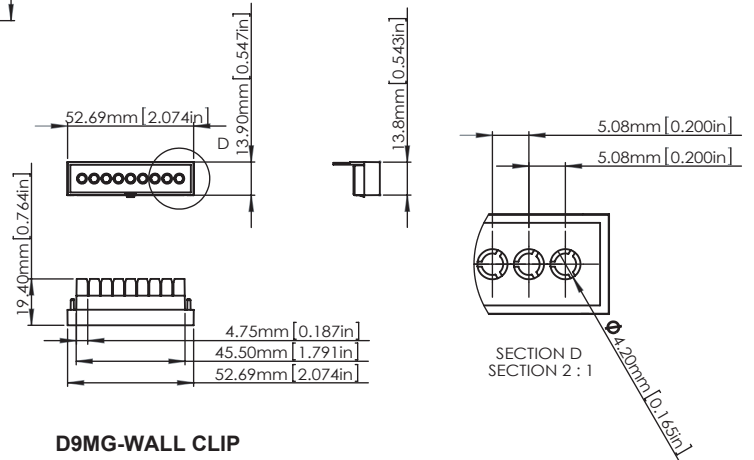
SECTION A-A
SCALE 2 : 3

D9MG-COVER



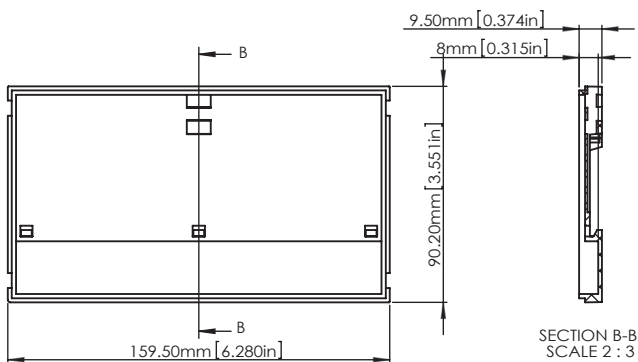
SECTION C-C
SCALE 2 : 3

D9MG-GUARD



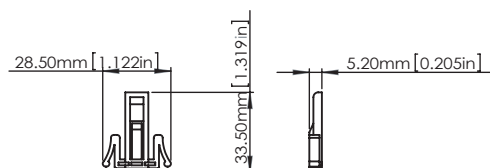
SECTION D
SECTION 2 : 1

D9MG-BASE

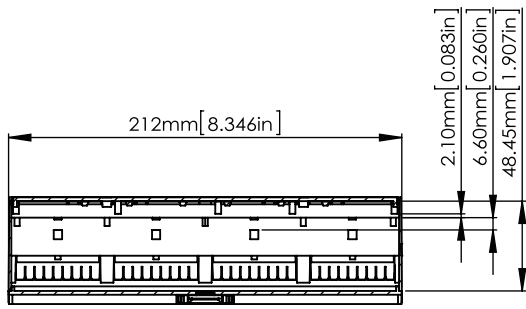


SECTION B-B
SCALE 2 : 3

D9MG-WALL CLIP

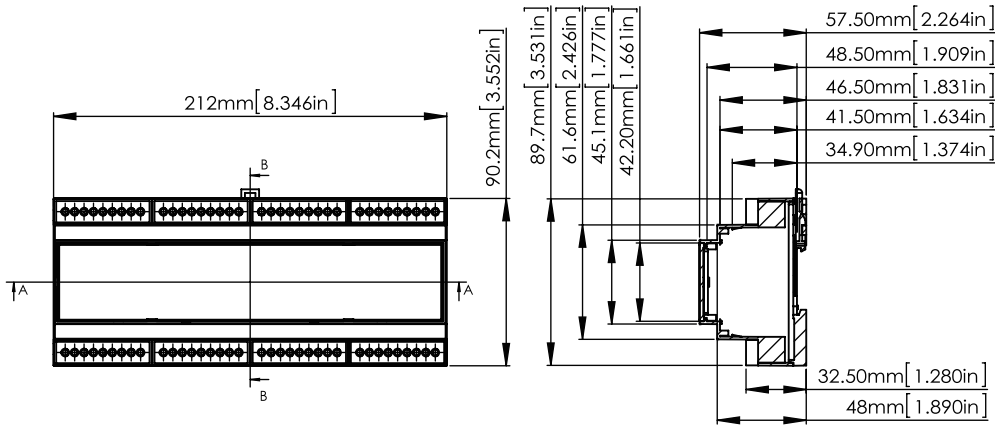


D12MG

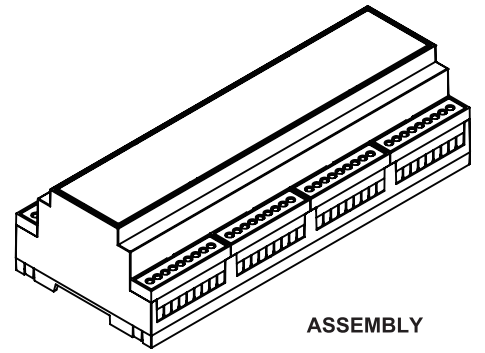


SECTION A-A

| ITEM | DESCRIPTION | MATERIAL | COLOUR | UNIT |
|------|-----------------|------------------|-----------|------|
| 1 | D12MG-BODY | PC/ABS(UL94-V0) | GREY | 1 |
| 2 | D12MG-BASE | PC/ABS(UL94-V0) | GREY | 1 |
| 3 | D12MG-COVER | PC/ABS(UL94-V0) | GREY | 1 |
| 4 | D12MG-GUARD | PC/ABS(UL94-V0) | GREY | 8 |
| 5 | D12MG-WALL CLIP | NYLON66(UL94-V0) | DARK GREY | 1 |

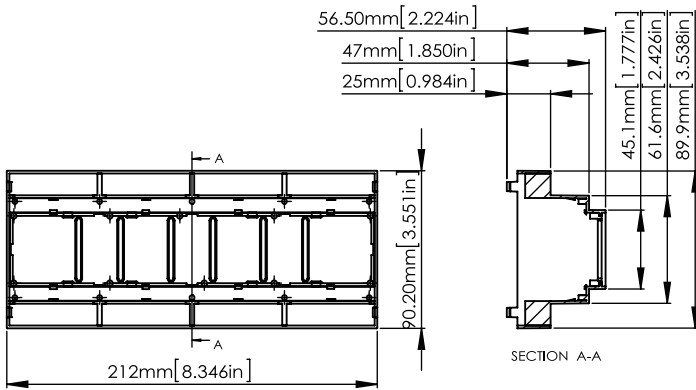


SECTION B-B



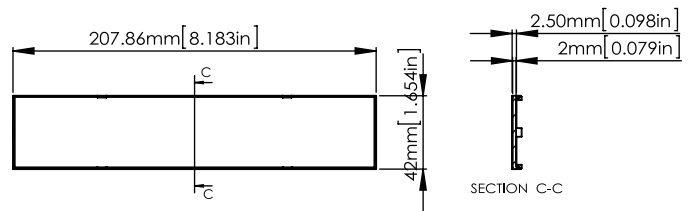
ASSEMBLY

D12MG-BODY



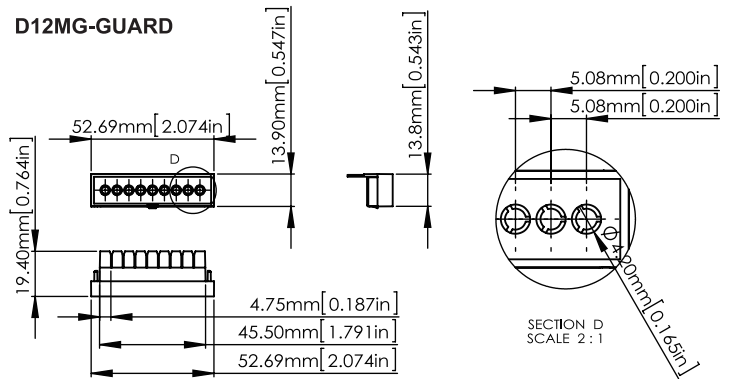
SECTION A-A

D12MG-COVER



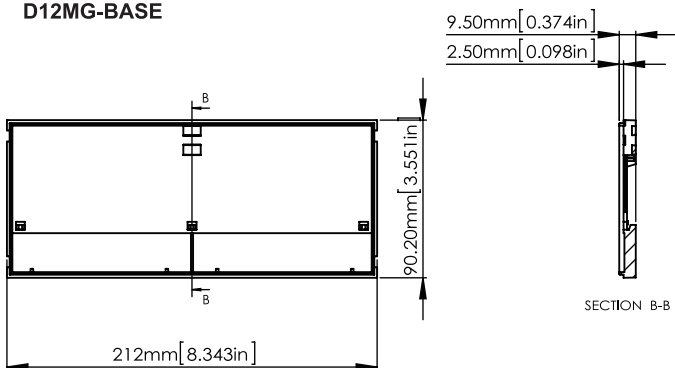
SECTION C-C

D12MG-GUARD



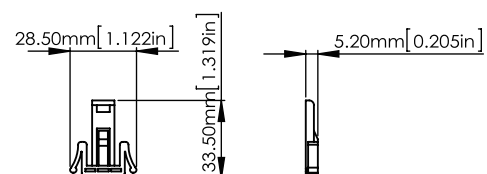
SECTION D
SCALE 2 : 1

D12MG-BASE



SECTION B-B

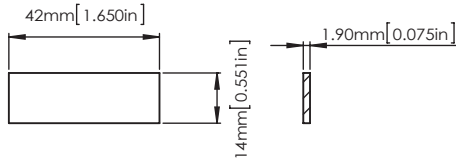
D12MG-WALL CLIP



SNAP-IN COVER (for DIN Rail Module Box)

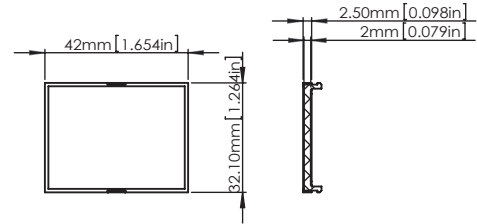
D1MG-COVER

| ITEM NO | Description | Material |
|---------------|--|-----------------|
| D1MG COVER-GY | Grey cover for D1MG din-box use | PC/ABS(UL94-V0) |
| D1MG COVER-IR | Red Transparent cover for D1MG din-box use | PC(UL94-V0) |
| D1MG COVER-C | Clear cover for D1MG din-box use | PC(UL94-V0) |



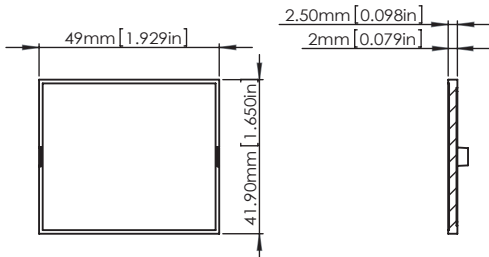
D2MG-COVER

| ITEM NO | Description | Material |
|---------------|--|-----------------|
| D2MG COVER-GY | Grey cover for D2MG din-box use | PC/ABS(UL94-V0) |
| D2MG COVER-IR | Red Transparent cover for D2MG din-box use | PC(UL94-V0) |
| D2MG COVER-C | Clear cover for D2MG din-box use | PC(UL94-V0) |



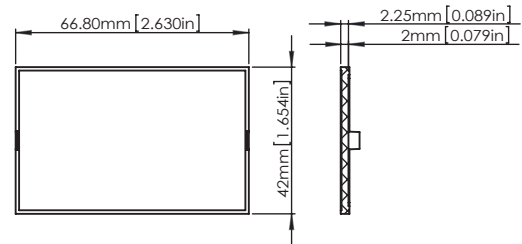
D3MG-COVER

| ITEM NO | Description | Material |
|---------------|--|-----------------|
| D3MG COVER-GY | Grey cover for D3MG din-box use | PC/ABS(UL94-V0) |
| D3MG COVER-IR | Red Transparent cover for D3MG din-box use | PC(UL94-V0) |
| D3MG COVER-C | Clear cover for D3MG din-box use | PC(UL94-V0) |



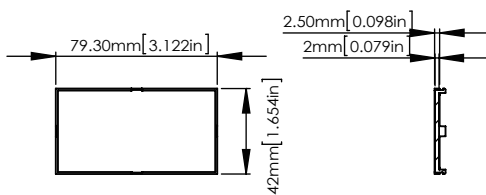
D4MG-COVER

| ITEM NO | Description | Material |
|---------------|--|-----------------|
| D4MG COVER-GY | Grey cover for D4MG din-box use | PC/ABS(UL94-V0) |
| D4MG COVER-IR | Red Transparent cover for D4MG din-box use | PC(UL94-V0) |
| D4MG COVER-C | Clear cover for D4MG din-box use | PC(UL94-V0) |



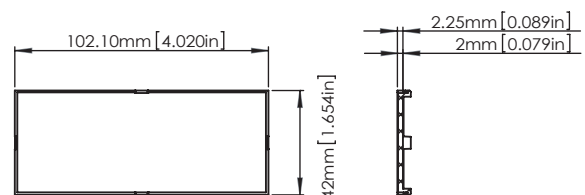
D5MG-COVER

| ITEM NO | Description | Material |
|---------------|--|-----------------|
| D5MG COVER-GY | Grey cover for D5MG din-box use | PC/ABS(UL94-V0) |
| D5MG COVER-IR | Red Transparent cover for D5MG din-box use | PC(UL94-V0) |
| D5MG COVER-C | Clear cover for D5MG din-box use | PC(UL94-V0) |



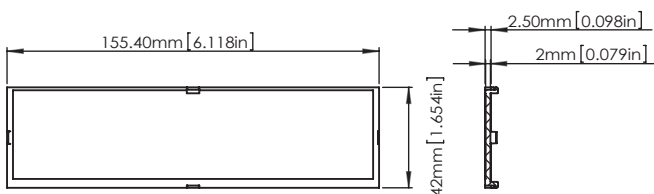
D6MG-COVER

| ITEM NO | Description | Material |
|---------------|--|-----------------|
| D6MG COVER-GY | Grey cover for D6MG din-box use | PC/ABS(UL94-V0) |
| D6MG COVER-IR | Red Transparent cover for D6MG din-box use | PC(UL94-V0) |
| D6MG COVER-C | Clear cover for D6MG din-box use | PC(UL94-V0) |



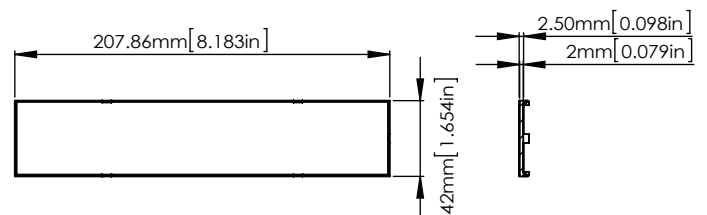
D9MG-COVER

| ITEM NO | Description | Material |
|---------------|--|-----------------|
| D9MG COVER-GY | Grey cover for D9MG din-box use | PC/ABS(UL94-V0) |
| D9MG COVER-IR | Red Transparent cover for D9MG din-box use | PC(UL94-V0) |
| D9MG COVER-C | Clear cover for D9MG din-box use | PC(UL94-V0) |

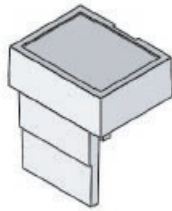
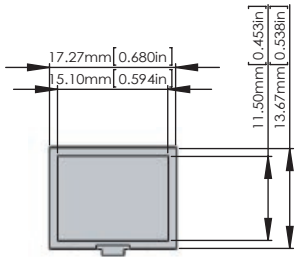
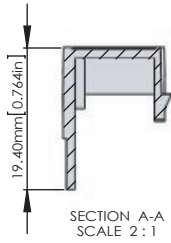
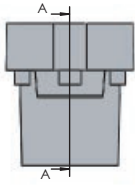


D12MG-COVER

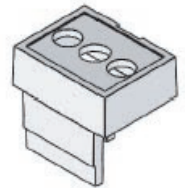
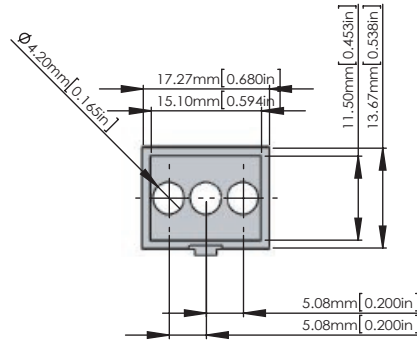
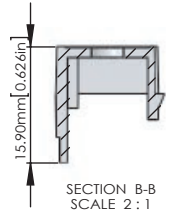
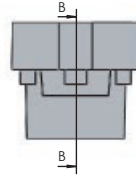
| ITEM NO | Description | Material |
|----------------|---|-----------------|
| D12MG COVER-GY | Grey cover for D12MG din-box use | PC/ABS(UL94-V0) |
| D12MG COVER-IR | Red Transparent cover for D12MG din-box use | PC(UL94-V0) |
| D12MG COVER-C | Clear cover for D12MG din-box use | PC(UL94-V0) |



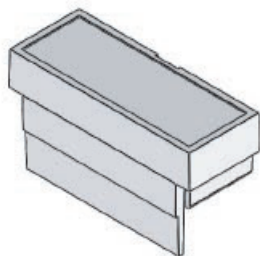
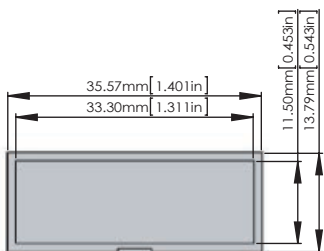
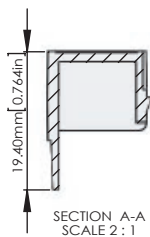
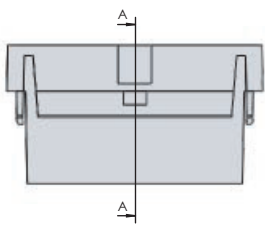
D1MG-GUARD-NO



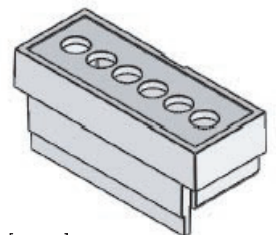
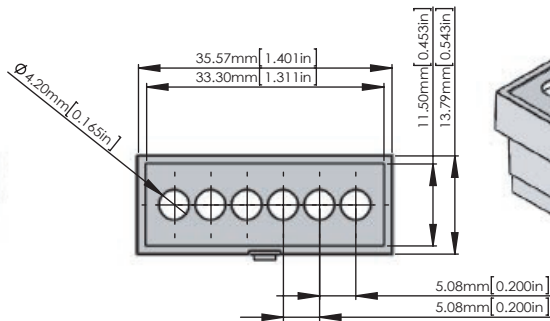
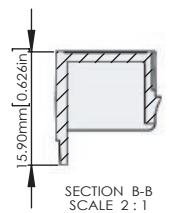
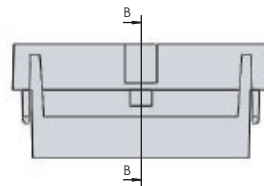
D1MG-GUARD-HH



D2MG-GUARD-NO

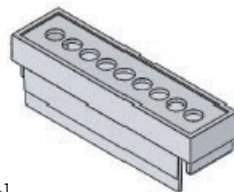
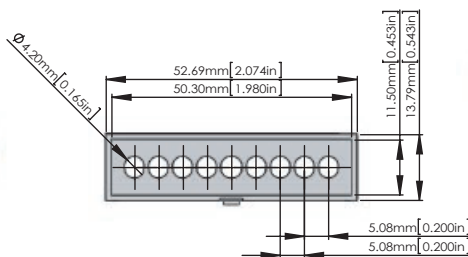
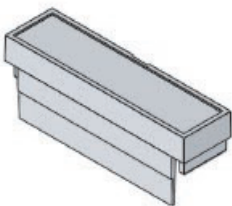
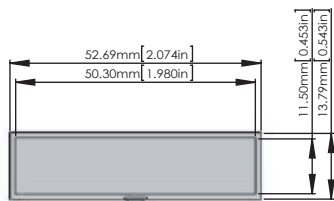
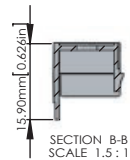
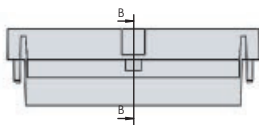
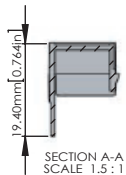
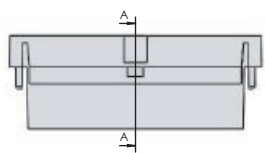


D2MG-GUARD-HH



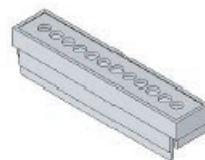
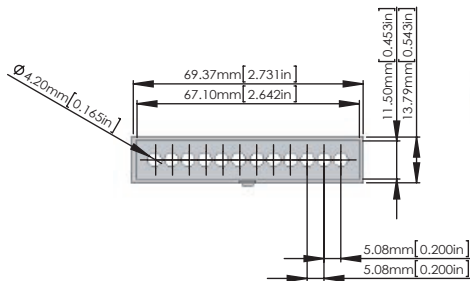
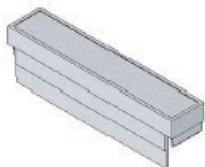
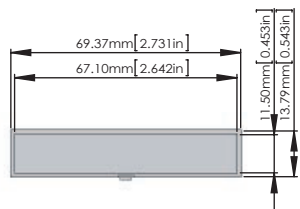
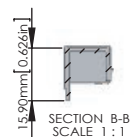
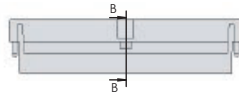
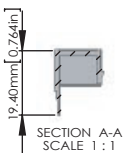
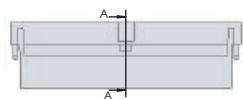
D3MG/D6MG/D9MG-GUARD-NO

D3MG/D6MG/D9MG-GUARD-HH



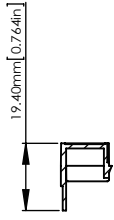
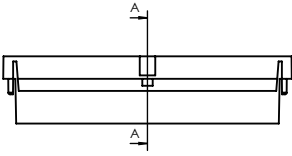
D4MG-GUARD-NO

D4MG-GUARD-HH

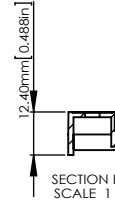
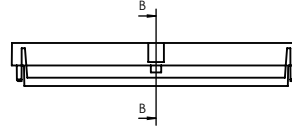


D5MG-GUARD-NO

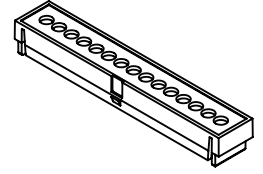
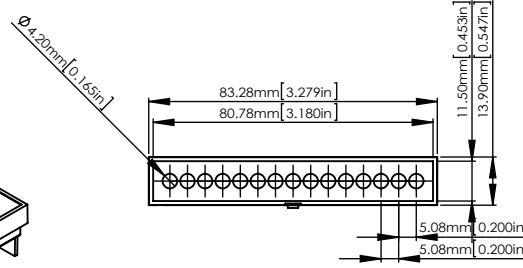
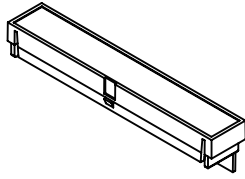
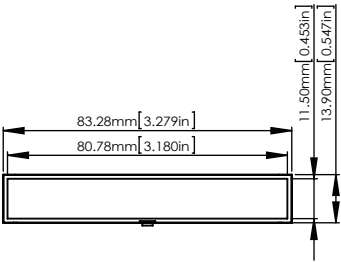
D5MG-GUARD-HH



SECTION A-A
SCALE 1 : 1

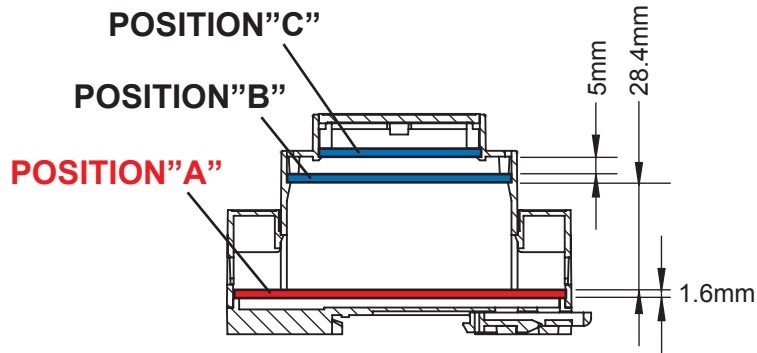


SECTION B-B
SCALE 1 : 1

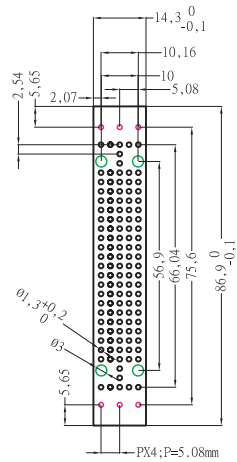


RECOMMENDED CIRCUIT BOARD LAYOUT

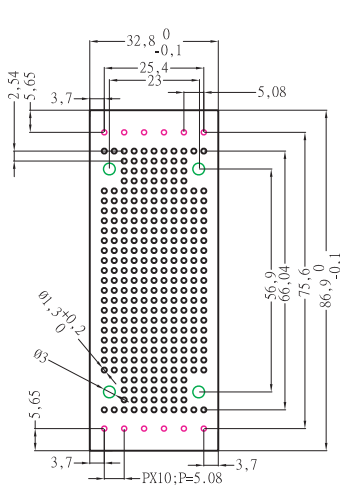
PCB position "A"



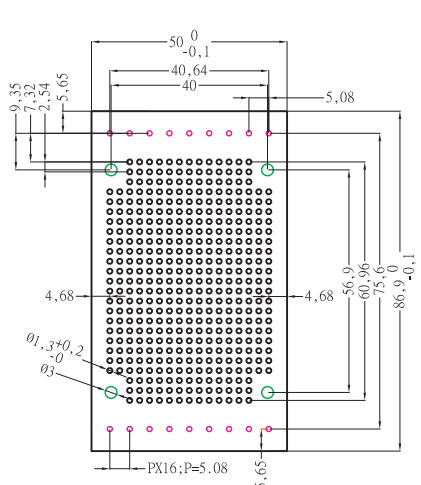
D1MG-PCB-A



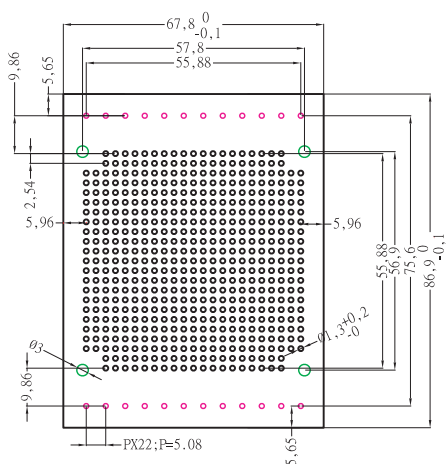
D2MG-PCB-A



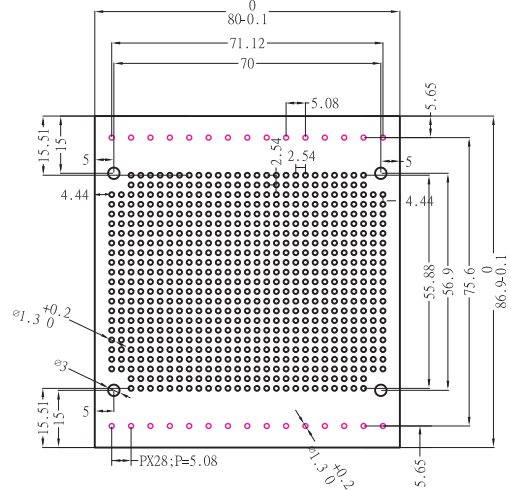
D3MG-PCB-A



D4MG-PCB-A

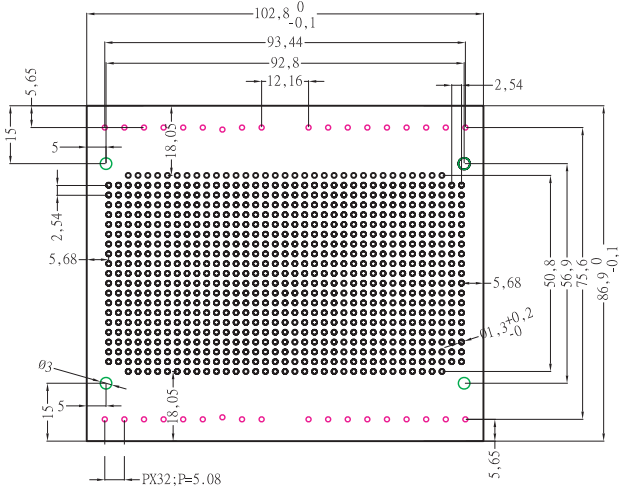


D5MG-PCB-A

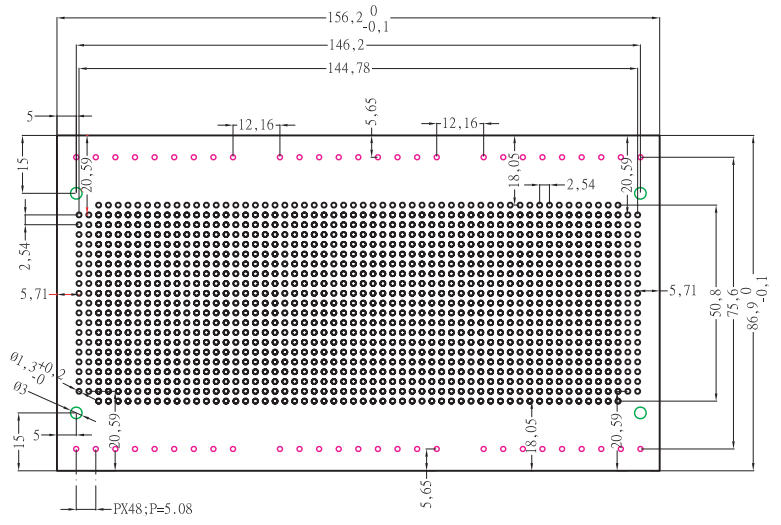


RECOMMENDED CIRCUIT BOARD LAYOUT

D6MG-PCB-A



D9MG-PCB-A



D12MG-PCB-A

