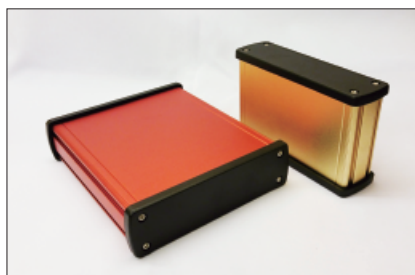




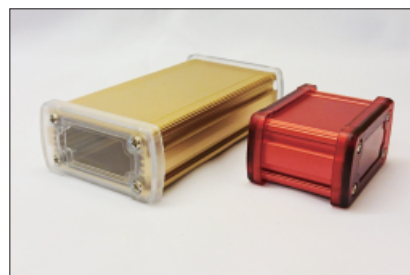
PRODUCT INFORMATION

- 5 different sizes with suitable lengths of extruded aluminium enclosures are provided for indoor desktop device or outdoor wall mounting junction/control box use.
- 5 standard colors (Golden, Silver, Red, Blue & Black anodized finish) & modern aluminium bodys with two type of end panels (plastic & die-casting aluminium end panel) are offered for more selection.
- 0.5mm of recessed area designed in the top is for customer to affix the product label or to do the silk-screen printing.
- Optional continuous rubber seals designed to meet IP66 rating are offered when customers need to install in the cover & use the enclosure in the outdoor.
- Die-casting wall mounting kit with black powder coated (2pcs/pack) are also offered for selection.
- Inserted type of PCB (1.6 mm thick.) & PCB stopper are also provided when customer need to use.

TYPE A Aluminium end panel with extruded aluminium body



TYPE B Plastic end panel with extruded aluminium body

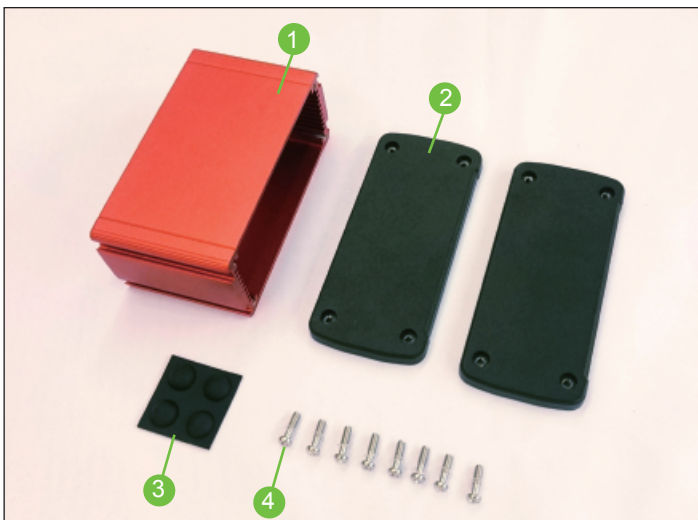





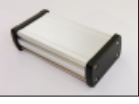













PRODUCT INFORMATION

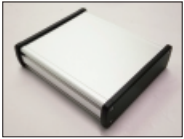
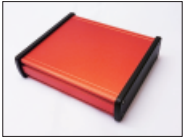
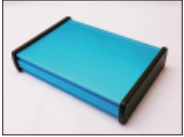




- Material of the aluminium body : Aluminium alloy 6063
- Material of the aluminium end panel : Aluminium alloy ADC-12
- Color of the aluminium body : Golden <GD> , Silver <SR> , Red <RD> , Blue <BU> & Black <BK> anodized finish
- Color of the aluminium end panel : Black powder coating

Content



- 1: Aluminium body
- 2: Aluminium end panel
- 3: Rubber feet
- 4: Stainless screw and Polycarbonate washer

※ Reference Product Photo	Item number	COLOR		External Dimension (mm)
		Extruded Aluminium Body	Aluminium end Panels	
	※ ALUG702GD040	■ Golden	■ Painted Black	68.7 x 35.2 x 49
	ALUG702GD080	■ Golden	■ Painted Black	68.7 x 35.2 x 89
	ALUG702GD120	■ Golden	■ Painted Black	68.7 x 35.2 x 129
	ALUG702SR040	■ Silver	■ Painted Black	68.7 x 35.2 x 49
	ALUG702SR080	■ Silver	■ Painted Black	68.7 x 35.2 x 89
	※ ALUG702SR120	■ Silver	■ Painted Black	68.7 x 35.2 x 129
	ALUG702RD040	■ Red	■ Painted Black	68.7 x 35.2 x 49
	※ ALUG702RD080	■ Red	■ Painted Black	68.7 x 35.2 x 89
	ALUG702RD120	■ Red	■ Painted Black	68.7 x 35.2 x 129
	ALUG702BU040	■ Blue	■ Painted Black	68.7 x 35.2 x 49
	※ ALUG702BU080	■ Blue	■ Painted Black	68.7 x 35.2 x 89
	ALUG702BU120	■ Blue	■ Painted Black	68.7 x 35.2 x 129
	ALUG702BK040	■ Black	■ Painted Black	68.7 x 35.2 x 49
	※ ALUG702BK080	■ Black	■ Painted Black	68.7 x 35.2 x 89
	ALUG702BK120	■ Black	■ Painted Black	68.7 x 35.2 x 129
	ALUG704GD060	■ Golden	■ Painted Black	113.7 x 35.2 x 69
	ALUG704GD110	■ Golden	■ Painted Black	113.7 x 35.2 x 119
	※ ALUG704GD160	■ Golden	■ Painted Black	113.7 x 35.2 x 169
	ALUG704SR060	■ Silver	■ Painted Black	113.7 x 35.2 x 69
	※ ALUG704SR110	■ Silver	■ Painted Black	113.7 x 35.2 x 119
	ALUG704SR160	■ Silver	■ Painted Black	113.7 x 35.2 x 169
	ALUG704RD060	■ Red	■ Painted Black	113.7 x 35.2 x 69
	※ ALUG704RD110	■ Red	■ Painted Black	113.7 x 35.2 x 119
	ALUG704RD160	■ Red	■ Painted Black	113.7 x 35.2 x 169
	ALUG704BU060	■ Blue	■ Painted Black	113.7 x 35.2 x 69
	※ ALUG704BU110	■ Blue	■ Painted Black	113.7 x 35.2 x 119
	ALUG704BU160	■ Blue	■ Painted Black	113.7 x 35.2 x 169
	※ ALUG704BK060	■ Black	■ Painted Black	113.7 x 35.2 x 69
	ALUG704BK110	■ Black	■ Painted Black	113.7 x 35.2 x 119
	ALUG704BK160	■ Black	■ Painted Black	113.7 x 35.2 x 169
	ALUG705GD060	■ Golden	■ Painted Black	115.1 x 51.6 x 69
	※ ALUG705GD110	■ Golden	■ Painted Black	115.1 x 51.6 x 119
	ALUG705GD160	■ Golden	■ Painted Black	115.1 x 51.6 x 169
	ALUG705SR060	■ Silver	■ Painted Black	115.1 x 51.6 x 69
	ALUG705SR110	■ Silver	■ Painted Black	115.1 x 51.6 x 119
	※ ALUG705SR160	■ Silver	■ Painted Black	115.1 x 51.6 x 169
	※ ALUG705RD060	■ Red	■ Painted Black	115.1 x 51.6 x 69
	ALUG705RD110	■ Red	■ Painted Black	115.1 x 51.6 x 119
	ALUG705RD160	■ Red	■ Painted Black	115.1 x 51.6 x 169
	ALUG705BU060	■ Blue	■ Painted Black	115.1 x 51.6 x 69
	※ ALUG705BU110	■ Blue	■ Painted Black	115.1 x 51.6 x 119
	ALUG705BU160	■ Blue	■ Painted Black	115.1 x 51.6 x 169
	ALUG705BK060	■ Black	■ Painted Black	115.1 x 51.6 x 69
	※ ALUG705BK110	■ Black	■ Painted Black	115.1 x 51.6 x 119
	ALUG705BK160	■ Black	■ Painted Black	115.1 x 51.6 x 169

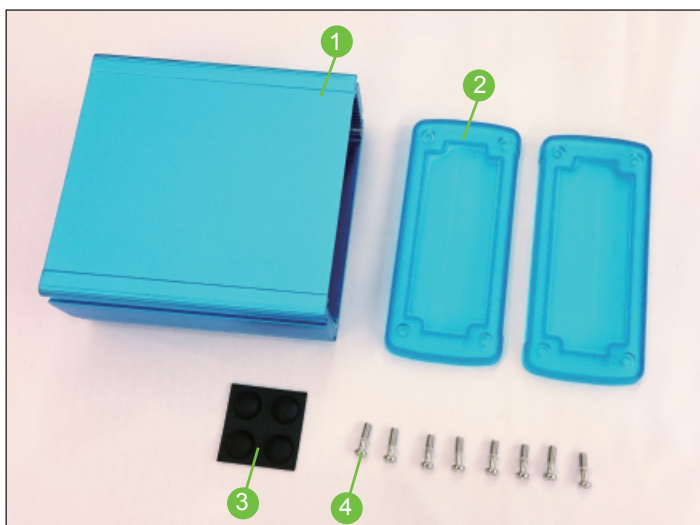
※ Reference Product Photo	Item number	COLOR		External Dimension (mm)
		Extruded Aluminium Body	Aluminium end Panels	
	※ ALUG706GD080	■ Golden	■ Painted Black	146.6 x 41.6 x 89
	ALUG706GD120	■ Golden	■ Painted Black	146.6 x 41.6 x 129
	ALUG706GD160	■ Golden	■ Painted Black	146.6 x 41.6 x 169
	ALUG706GD200	■ Golden	■ Painted Black	146.6 x 41.6 x 209
	ALUG706SR080	■ Silver	■ Painted Black	146.6 x 41.6 x 89
	ALUG706SR120	■ Silver	■ Painted Black	146.6 x 41.6 x 129
	※ ALUG706SR160	■ Silver	■ Painted Black	146.6 x 41.6 x 169
	ALUG706SR200	■ Silver	■ Painted Black	146.6 x 41.6 x 209
	ALUG706RD080	■ Red	■ Painted Black	146.6 x 41.6 x 89
	ALUG706RD120	■ Red	■ Painted Black	146.6 x 41.6 x 129
	※ ALUG706RD160	■ Red	■ Painted Black	146.6 x 41.6 x 169
	ALUG706RD200	■ Red	■ Painted Black	146.6 x 41.6 x 209
	ALUG706BU080	■ Blue	■ Painted Black	146.6 x 41.6 x 89
	ALUG706BU120	■ Blue	■ Painted Black	146.6 x 41.6 x 129
	ALUG706BU160	■ Blue	■ Painted Black	146.6 x 41.6 x 169
	※ ALUG706BU200	■ Blue	■ Painted Black	146.6 x 41.6 x 209
	ALUG706BK080	■ Black	■ Painted Black	146.6 x 41.6 x 89
	※ ALUG706BK120	■ Black	■ Painted Black	146.6 x 41.6 x 129
	ALUG706BK160	■ Black	■ Painted Black	146.6 x 41.6 x 169
	ALUG706BK200	■ Black	■ Painted Black	146.6 x 41.6 x 209
	ALUG708GD080	■ Golden	■ Painted Black	177.6 x 61.1 x 89
	ALUG708GD120	■ Golden	■ Painted Black	177.6 x 61.1 x 129
	ALUG708GD160	■ Golden	■ Painted Black	177.6 x 61.1 x 169
	※ ALUG708GD200	■ Golden	■ Painted Black	177.6 x 61.1 x 209
	ALUG708SR080	■ Silver	■ Painted Black	177.6 x 61.1 x 89
	※ ALUG708SR120	■ Silver	■ Painted Black	177.6 x 61.1 x 129
	ALUG708SR160	■ Silver	■ Painted Black	177.6 x 61.1 x 169
	ALUG708SR200	■ Silver	■ Painted Black	177.6 x 61.1 x 209
	※ ALUG708RD080	■ Red	■ Painted Black	177.6 x 61.1 x 89
	ALUG708RD120	■ Red	■ Painted Black	177.6 x 61.1 x 129
	ALUG708RD160	■ Red	■ Painted Black	177.6 x 61.1 x 169
	ALUG708RD200	■ Red	■ Painted Black	177.6 x 61.1 x 209
	ALUG708BU080	■ Blue	■ Painted Black	177.6 x 61.1 x 89
	ALUG708BU120	■ Blue	■ Painted Black	177.6 x 61.1 x 129
	※ ALUG708BU160	■ Blue	■ Painted Black	177.6 x 61.1 x 169
	ALUG708BU200	■ Blue	■ Painted Black	177.6 x 61.1 x 209
	ALUG708BK080	■ Black	■ Painted Black	177.6 x 61.1 x 89
	ALUG708BK120	■ Black	■ Painted Black	177.6 x 61.1 x 129
	※ ALUG708BK160	■ Black	■ Painted Black	177.6 x 61.1 x 169
	ALUG708BK200	■ Black	■ Painted Black	177.6 x 61.1 x 209



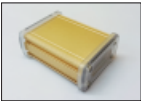
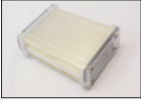













PRODUCT INFORMATION


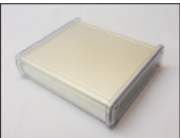

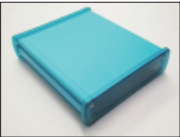






- Material of the aluminium body : Aluminium alloy 6063
- Material of the plastic end panel : UL94-V0 rating of polycarbonate
- Color of the aluminium body : Golden <GD> , Silver <SR> , Red <RD> , Blue <BU> & Black <BK> anodized finish
- Color of the plastic end panel : Clear, Infra-red , Translucent blue & black

Content



- 1: Aluminium body
- 2: Plastic end panel
- 3: Rubber feet
- 4: Stainless screw and Polycarbonate washer

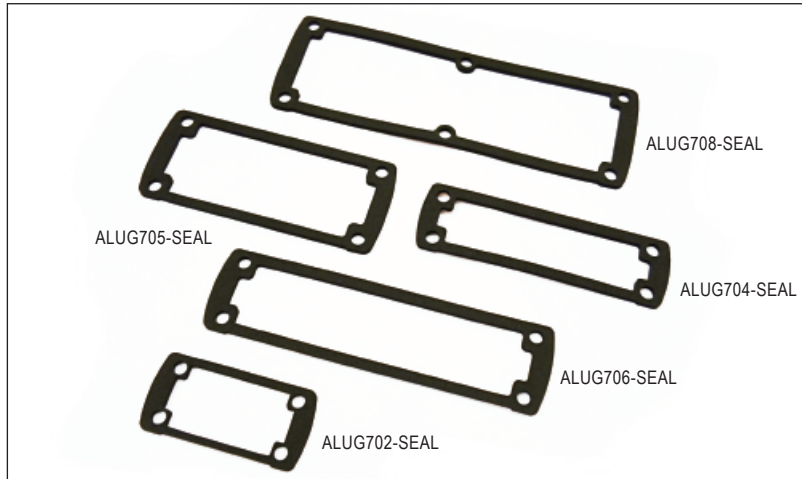
※ Reference Product Photo	Item number	COLOR		External Dimension (mm)
		Extruded Aluminium Body	Plastic end Panels	
	ALUG702GD040-C	■ Golden	□ Clear	68.7 x 35.2 x 49
	ALUG702GD080-C	■ Golden	□ Clear	68.7 x 35.2 x 89
	ALUG702GD120-C	■ Golden	□ Clear	68.7 x 35.2 x 129
	ALUG702SR040-C	■ Silver	□ Clear	68.7 x 35.2 x 49
	ALUG702SR080-C	■ Silver	□ Clear	68.7 x 35.2 x 89
	ALUG702SR120-C	■ Silver	□ Clear	68.7 x 35.2 x 129
	ALUG702RD040-IR	■ Red	■ Infra Red	68.7 x 35.2 x 49
	ALUG702RD080-IR	■ Red	■ Infra Red	68.7 x 35.2 x 89
	ALUG702RD120-IR	■ Red	■ Infra Red	68.7 x 35.2 x 129
	ALUG702BU040-CBU	■ Blue	■ Translucent Blue	68.7 x 35.2 x 49
	ALUG702BU080-CBU	■ Blue	■ Translucent Blue	68.7 x 35.2 x 89
	ALUG702BU120-CBU	■ Blue	■ Translucent Blue	68.7 x 35.2 x 129
	ALUG702BK040-BK	■ Black	■ Black	68.7 x 35.2 x 49
	ALUG702BK080-BK	■ Black	■ Black	68.7 x 35.2 x 89
	ALUG702BK120-BK	■ Black	■ Black	68.7 x 35.2 x 129
	ALUG704GD060-C	■ Golden	□ Clear	113.7 x 35.2 x 69
	ALUG704GD110-C	■ Golden	□ Clear	113.7 x 35.2 x 119
	ALUG704GD160-C	■ Golden	□ Clear	113.7 x 35.2 x 169
	ALUG704SR060-C	■ Silver	□ Clear	113.7 x 35.2 x 69
	ALUG704SR110-C	■ Silver	□ Clear	113.7 x 35.2 x 119
	ALUG704SR160-C	■ Silver	□ Clear	113.7 x 35.2 x 169
	ALUG704RD060-IR	■ Red	■ Infra Red	113.7 x 35.2 x 69
	ALUG704RD110-IR	■ Red	■ Infra Red	113.7 x 35.2 x 119
	ALUG704RD160-IR	■ Red	■ Infra Red	113.7 x 35.2 x 169
	ALUG704BU060-CBU	■ Blue	■ Translucent Blue	113.7 x 35.2 x 69
	ALUG704BU110-CBU	■ Blue	■ Translucent Blue	113.7 x 35.2 x 119
	ALUG704BU160-CBU	■ Blue	■ Translucent Blue	113.7 x 35.2 x 169
	ALUG704BK060-BK	■ Black	■ Black	113.7 x 35.2 x 69
	ALUG704BK110-BK	■ Black	■ Black	113.7 x 35.2 x 119
	ALUG704BK160-BK	■ Black	■ Black	113.7 x 35.2 x 169
	ALUG705GD060-C	■ Golden	□ Clear	115.1 x 51.6 x 69
	ALUG705GD110-C	■ Golden	□ Clear	115.1 x 51.6 x 119
	ALUG705GD160-C	■ Golden	□ Clear	115.1 x 51.6 x 169
	ALUG705SR060-C	■ Silver	□ Clear	115.1 x 51.6 x 69
	ALUG705SR110-C	■ Silver	□ Clear	115.1 x 51.6 x 119
	ALUG705SR160-C	■ Silver	□ Clear	115.1 x 51.6 x 169
	ALUG705RD060-IR	■ Red	■ Infra Red	115.1 x 51.6 x 69
	ALUG705RD110-IR	■ Red	■ Infra Red	115.1 x 51.6 x 119
	ALUG705RD160-IR	■ Red	■ Infra Red	115.1 x 51.6 x 169
	ALUG705BU060-CBU	■ Blue	■ Translucent Blue	115.1 x 51.6 x 69
	ALUG705BU110-CBU	■ Blue	■ Translucent Blue	115.1 x 51.6 x 119
	ALUG705BU160-CBU	■ Blue	■ Translucent Blue	115.1 x 51.6 x 169
	ALUG705BK060-BK	■ Black	■ Black	115.1 x 51.6 x 69
	ALUG705BK110-BK	■ Black	■ Black	115.1 x 51.6 x 119
	ALUG705BK160-BK	■ Black	■ Black	115.1 x 51.6 x 169

※ Reference Product Photo	Item number	COLOR		External Dimension (mm)
		Extruded Aluminium Body	Plastic end Panels	
	ALUG706GD080-C	■ Golden	□ Clear	146.6 x 41.6 x 89
	※ ALUG706GD120-C	■ Golden	□ Clear	146.6 x 41.6 x 129
	ALUG706GD160-C	■ Golden	□ Clear	146.6 x 41.6 x 169
	ALUG706GD200-C	■ Golden	□ Clear	146.6 x 41.6 x 209
	ALUG706SR080-C	■ Silver	□ Clear	146.6 x 41.6 x 89
	ALUG706SR120-C	■ Silver	□ Clear	146.6 x 41.6 x 129
	※ ALUG706SR160-C	■ Silver	□ Clear	146.6 x 41.6 x 169
	ALUG706SR200-C	■ Silver	□ Clear	146.6 x 41.6 x 209
	ALUG706RD080-IR	■ Red	■ Infra Red	146.6 x 41.6 x 89
	ALUG706RD120-IR	■ Red	■ Infra Red	146.6 x 41.6 x 129
	ALUG706RD160-IR	■ Red	■ Infra Red	146.6 x 41.6 x 169
	※ ALUG706RD200-IR	■ Red	■ Infra Red	146.6 x 41.6 x 209
	ALUG706BU080-CBU	■ Blue	■ Translucent Blue	146.6 x 41.6 x 89
	ALUG706BU120-CBU	■ Blue	■ Translucent Blue	146.6 x 41.6 x 129
	※ ALUG706BU160-CBU	■ Blue	■ Translucent Blue	146.6 x 41.6 x 169
	ALUG706BU200-CBU	■ Blue	■ Translucent Blue	146.6 x 41.6 x 209
	※ ALUG706BK080-BK	■ Black	■ Black	146.6 x 41.6 x 89
	ALUG706BK120-BK	■ Black	■ Black	146.6 x 41.6 x 129
	ALUG706BK160-BK	■ Black	■ Black	146.6 x 41.6 x 169
	ALUG706BK200-BK	■ Black	■ Black	146.6 x 41.6 x 209
	※ ALUG708GD080-C	■ Golden	□ Clear	177.6 x 61.1 x 89
	ALUG708GD120-C	■ Golden	□ Clear	177.6 x 61.1 x 129
	ALUG708GD160-C	■ Golden	□ Clear	177.6 x 61.1 x 169
	ALUG708GD200-C	■ Golden	□ Clear	177.6 x 61.1 x 209
	ALUG708SR080-C	■ Silver	□ Clear	177.6 x 61.1 x 89
	※ ALUG708SR120-C	■ Silver	□ Clear	177.6 x 61.1 x 129
	ALUG708SR160-C	■ Silver	□ Clear	177.6 x 61.1 x 169
	ALUG708SR200-C	■ Silver	□ Clear	177.6 x 61.1 x 209
	ALUG708RD080-IR	■ Red	■ Infra Red	177.6 x 61.1 x 89
	※ ALUG708RD120-IR	■ Red	■ Infra Red	177.6 x 61.1 x 129
	ALUG708RD160-IR	■ Red	■ Infra Red	177.6 x 61.1 x 169
	ALUG708RD200-IR	■ Red	■ Infra Red	177.6 x 61.1 x 209
	ALUG708BU080-CBU	■ Blue	■ Translucent Blue	177.6 x 61.1 x 89
	ALUG708BU120-CBU	■ Blue	■ Translucent Blue	177.6 x 61.1 x 129
	ALUG708BU160-CBU	■ Blue	■ Translucent Blue	177.6 x 61.1 x 169
	※ ALUG708BU200-CBU	■ Blue	■ Translucent Blue	177.6 x 61.1 x 209
	ALUG708BK080-BK	■ Black	■ Black	177.6 x 61.1 x 89
	ALUG708BK120-BK	■ Black	■ Black	177.6 x 61.1 x 129
	※ ALUG708BK160-BK	■ Black	■ Black	177.6 x 61.1 x 169
	ALUG708BK200-BK	■ Black	■ Black	177.6 x 61.1 x 209

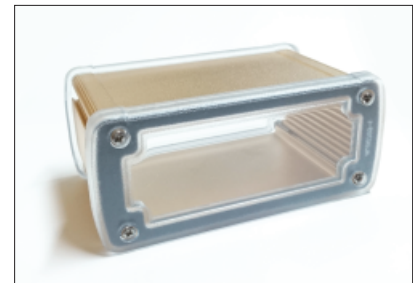
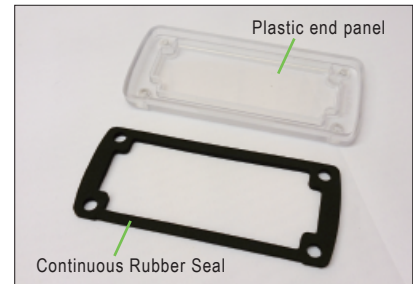
Continuous Rubber Seal, Wall Mounting bracket

Continuous Rubber Seal

- Material of the continuous rubber seal : CR (Neoprene)
- Color of the continuous rubber seal : Black



Example



Item Number	Color	External Dimension (mm)
ALUG702-SEAL	Black	64.7 x 31.2 x 3
ALUG704-SEAL	Black	109.7 x 31.2 x 3
ALUG705-SEAL	Black	109.7 x 46.2 x 3
ALUG706-SEAL	Black	141.2 x 36.2 x 3
ALUG708-SEAL	Black	171.2 x 54.7 x 3

Wall Mounting Bracket

- Material of the wall mounting bracket : Aluminium alloy ADC-12
- Color of the wall mounting bracket : Black <BK> powder coating
- Sales package: 2 pcs/bag
(2 pcs of each mounting brackets & M3.5 X 6mm stainless screws)



Example

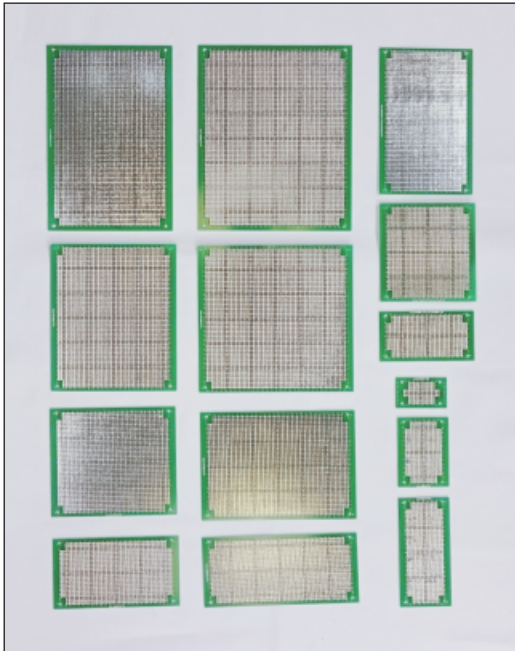


Item Number	Color	External Dimension (mm)
ALMF-002PBK	Painted Black	25 x 18 x 3

PCB, PCB Stopper

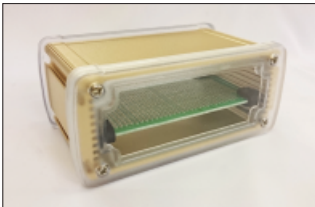
Optional PCB

- Material of the PCB : Glass epoxy board (FR-4) ,both sides.
- Thickness of the PCB is 1.6mm, hole & hole distance is 2.54mm



Item Number	External Dimension(mm)		
	LENGTH	WIDTH	HEIGHT
ALUG702040-PCB	32	53.3	1.6
ALUG702080-PCB	72	53.3	1.6
ALUG702120-PCB	112	53.3	1.6
ALUG704060-PCB	52	98.3	1.6
ALUG704110-PCB	102	98.3	1.6
ALUG704160-PCB	152	98.3	1.6
ALUG705060-PCB	52	98.3	1.6
ALUG705110-PCB	102	98.3	1.6
ALUG705160-PCB	152	98.3	1.6
ALUG706080-PCB	72	129.8	1.6
ALUG706120-PCB	112	129.8	1.6
ALUG706160-PCB	152	129.8	1.6
ALUG706200-PCB	192	129.8	1.6
ALUG708080-PCB	72	159.8	1.6
ALUG708120-PCB	112	159.8	1.6
ALUG708160-PCB	152	159.8	1.6
ALUG708200-PCB	192	159.8	1.6

Example



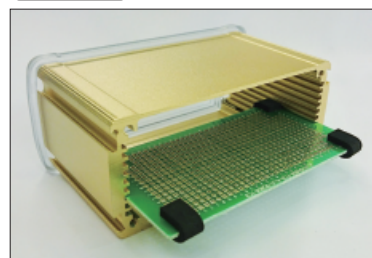
PCB Stopper

- Material of PCB Stopper : CR(Neoprene) with 3M glue adhesive tape
- Sales package: 20 pcs/bag



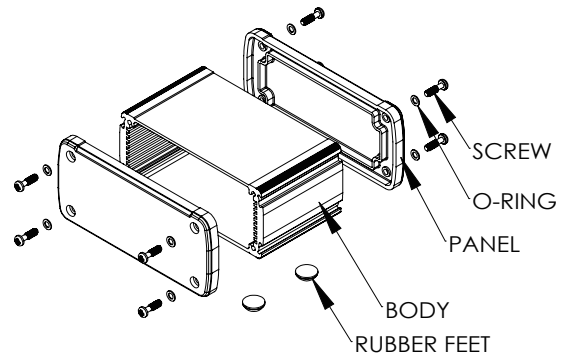
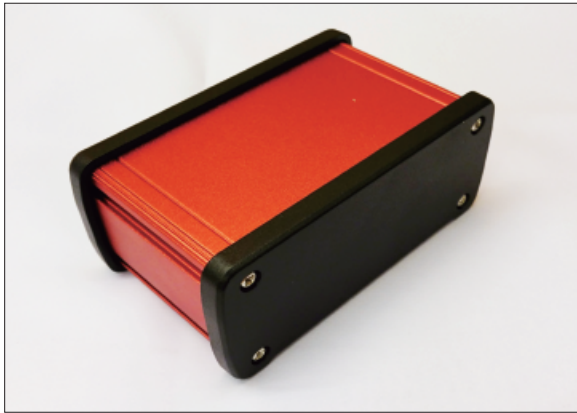
Item Number	External Dimension (mm)
ALUG7XX-PCBSTOP	22 X 8 x 3

Example



CONTENT

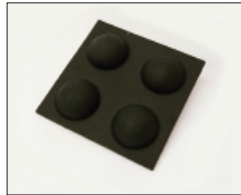
TYPE A Series - Aluminium end panel with extruded aluminium body



1. Extruded aluminium body



2. Aluminium end panel

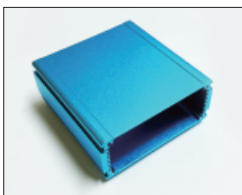
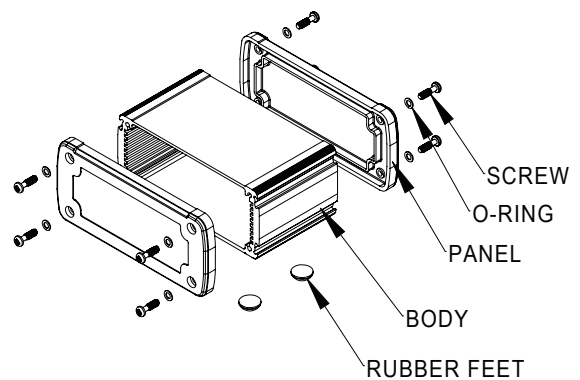


3. Rubber Feet



4. Stainless screw and Polycarbonate washer

TYPE B Series - Plastic end panel with extruded aluminium body



1. Extruded aluminium body



2. Plastic end panel

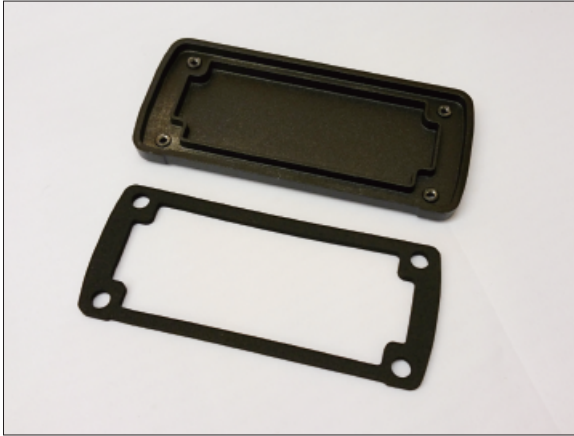


3. Rubber Feet



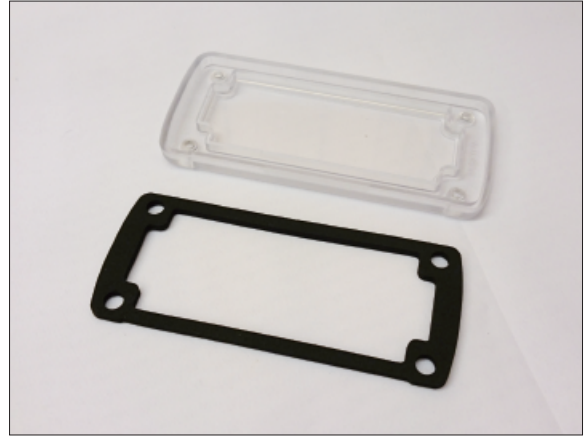
4. Stainless screw and Polycarbonate washer

▶ How to install the seal into the plastic cover/aluminium cover



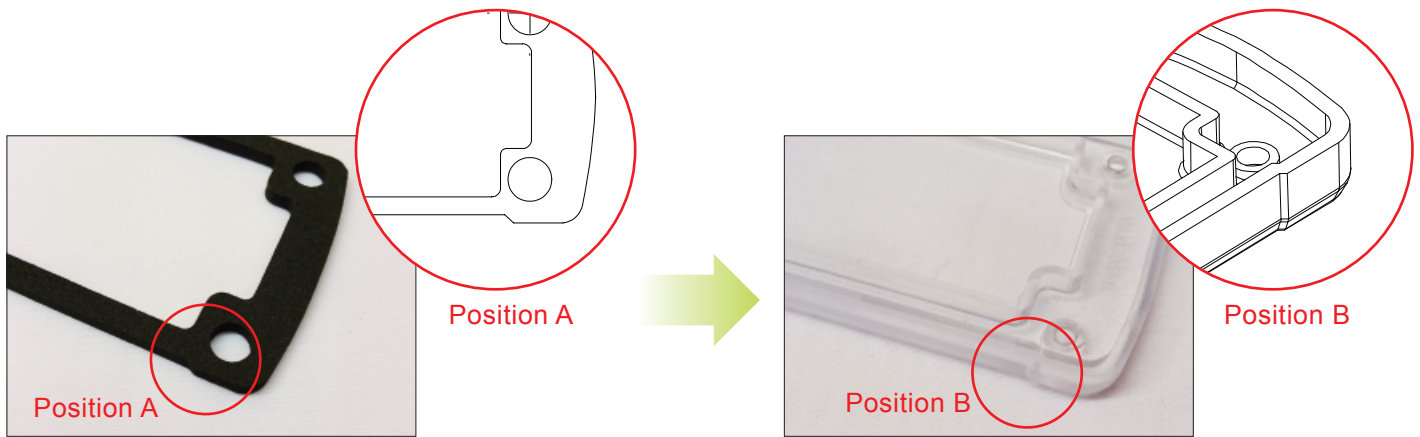
TYPE A

Seal / Aluminium cover
(PS: the same installation as plastic cover)



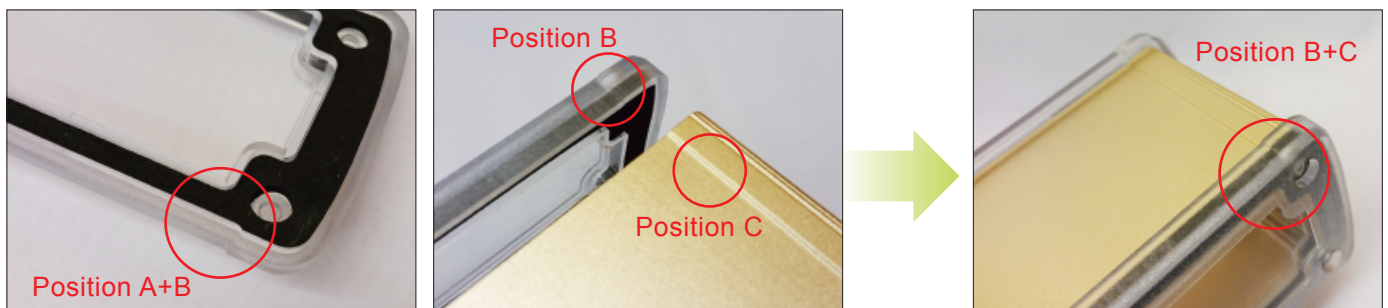
TYPE B

Seal / Plastic cover



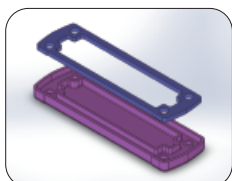
1. Pay attention on the seal
(Position A).

2. Pay attention on the cover
(Position B).



3. Should be installed in the same side.
(position A+B), (position B+C)

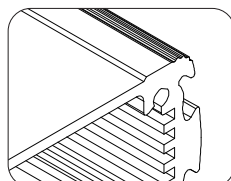
4. Done.



Position A+B

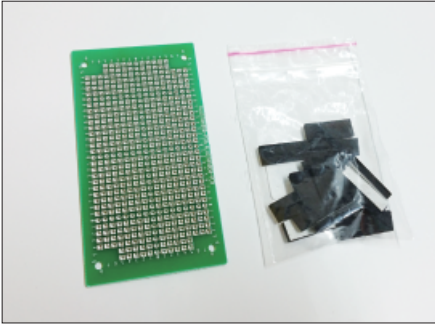


Position B

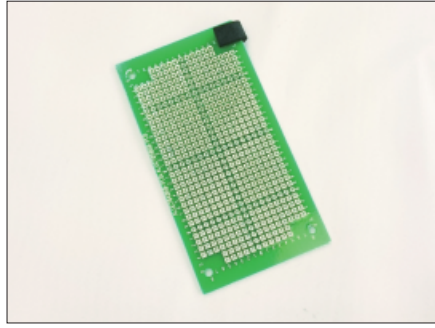


Position C

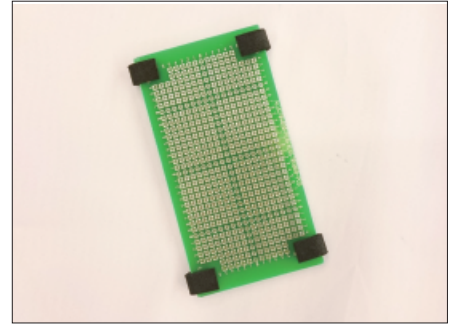
▶ How to use the PCB & PCB Stopper



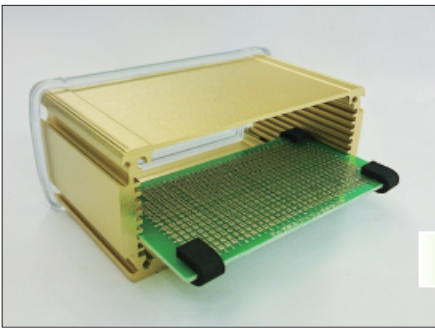
1. PCB / PCB STOPPER



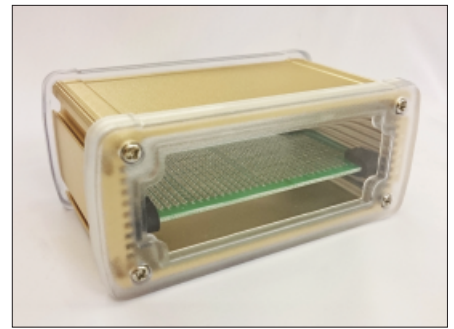
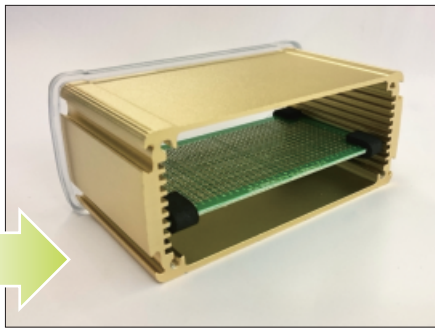
2. Remove the paper from the PCB STOPPER and affix the rubber on the hole of the PCB.



3. Repeat 2 for the other holes.

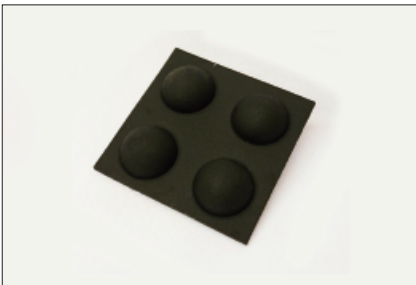


4. Insert the PCB into the extruded body.



5. Done.

▶ How to affix the rubber feet



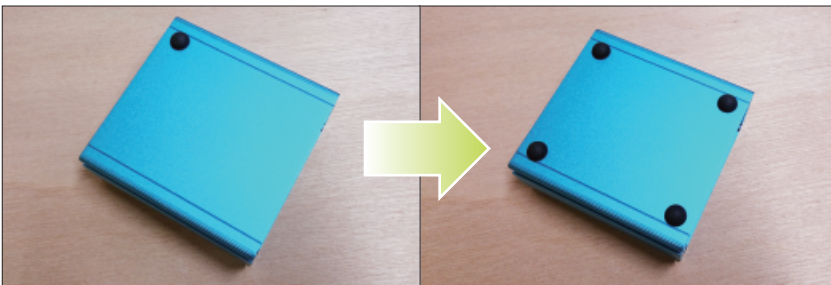
1. Rubber Feet
(4pcs/sheet)



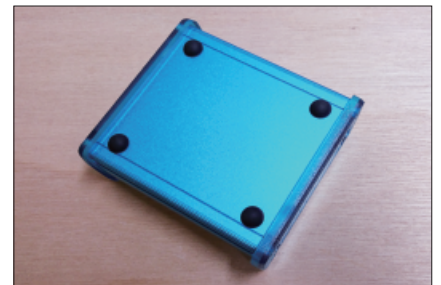
2. Extruded body



3. Rubber feet adhesive line



4. Per the photo, Affix the rubber feet in the extruded body.

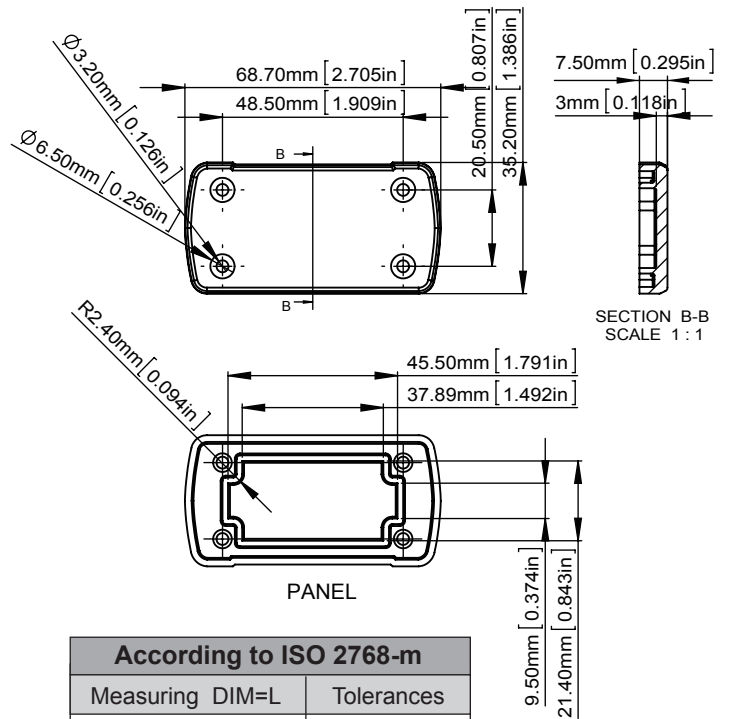
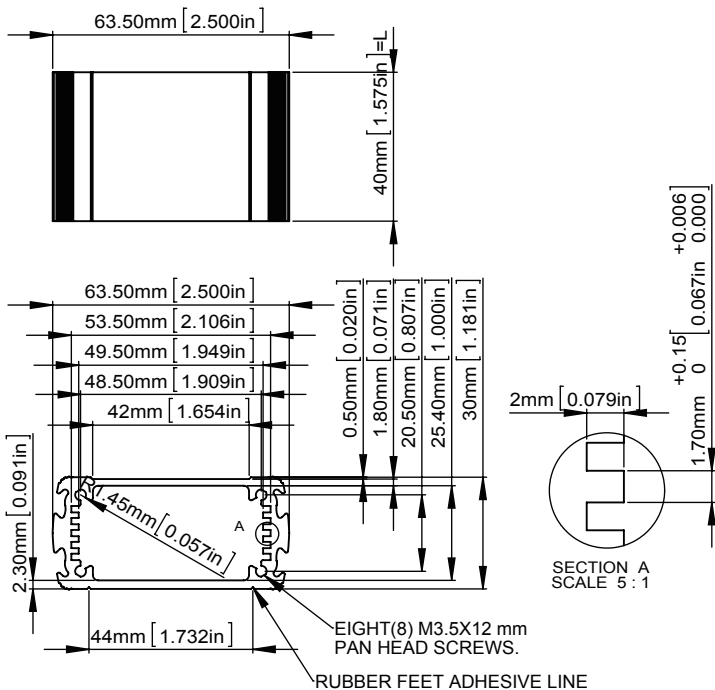
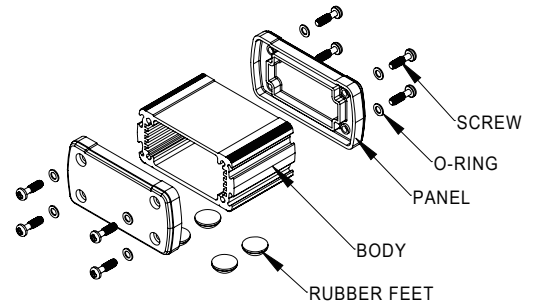
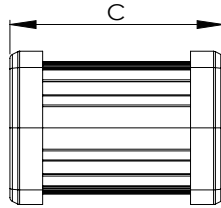
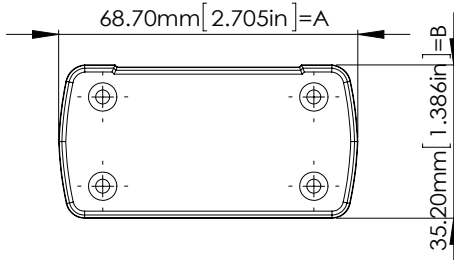


5. Done.

TYPE A

ALUG702XXXX

ITEM NO	BODY	PANEL	O-RING	RUBBER FEET	SCREW	EXTERNAL DIMENSION(mm) AXBXC
ALUG702GD040	ALUMINIUM EXTRUSION 6063/ GOLDEN ANODIZED(PANTONE 4675C)	DIE-CAST ALUMINIUM ADC-12 /PAINTED BLACK(RAL9005)	Ø6X0.5 mm MATERIAL:PC COLOR:CLEAR	Ø12X5 mm MATERIAL:RUBBER (GAINTA ITEM NO:RF-1004) COLOR:BLACK	M3.5X12 mm MATERIAL:STAINLESS SUS 304 COLOR:UNFINISHED	68.7X35.2X49 mm
ALUG702SR040	ALUMINIUM EXTRUSION 6063/ SILVER ANODIZED(PANTONE 877C)					
ALUG702RD040	ALUMINIUM EXTRUSION 6063/ RED ANODIZED(PANTONE 187C)					
ALUG702BU040	ALUMINIUM EXTRUSION 6063/ BLUE ANODIZED(PANTONE 306C)					
ALUG702BK040	ALUMINIUM EXTRUSION 6063/ BLACK ANODIZED(PANTONE BLACK U)					
ALUG702GD080	ALUMINIUM EXTRUSION 6063/ GOLDEN ANODIZED(PANTONE 4675C)	DIE-CAST ALUMINIUM ADC-12 /PAINTED BLACK(RAL9005)	Ø6X0.5 mm MATERIAL:PC COLOR:CLEAR	Ø12X5 mm MATERIAL:RUBBER (GAINTA ITEM NO:RF-1004) COLOR:BLACK	M3.5X12 mm MATERIAL:STAINLESS SUS 304 COLOR:UNFINISHED	68.7X35.2X89 mm
ALUG702SR080	ALUMINIUM EXTRUSION 6063/ SILVER ANODIZED(PANTONE 877C)					
ALUG702RD080	ALUMINIUM EXTRUSION 6063/ RED ANODIZED(PANTONE 187C)					
ALUG702BU080	ALUMINIUM EXTRUSION 6063/ BLUE ANODIZED(PANTONE 306C)					
ALUG702BK080	ALUMINIUM EXTRUSION 6063/ BLACK ANODIZED(PANTONE BLACK U)					
ALUG702GD120	ALUMINIUM EXTRUSION 6063/ GOLDEN ANODIZED(PANTONE 4675C)	DIE-CAST ALUMINIUM ADC-12 /PAINTED BLACK(RAL9005)	Ø6X0.5 mm MATERIAL:PC COLOR:CLEAR	Ø12X5 mm MATERIAL:RUBBER (GAINTA ITEM NO:RF-1004) COLOR:BLACK	M3.5X12 mm MATERIAL:STAINLESS SUS 304 COLOR:UNFINISHED	68.7X35.2X129 mm
ALUG702SR120	ALUMINIUM EXTRUSION 6063/ SILVER ANODIZED(PANTONE 877C)					
ALUG702RD120	ALUMINIUM EXTRUSION 6063/ RED ANODIZED(PANTONE 187C)					
ALUG702BU120	ALUMINIUM EXTRUSION 6063/ BLUE ANODIZED(PANTONE 306C)					
ALUG702BK120	ALUMINIUM EXTRUSION 6063/ BLACK ANODIZED(PANTONE BLACK U)					



ITEM NO.	L(mm)
ALUG702XX040	40 mm
ALUG702XX080	80 mm
ALUG702XX120	120 mm

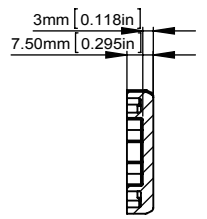
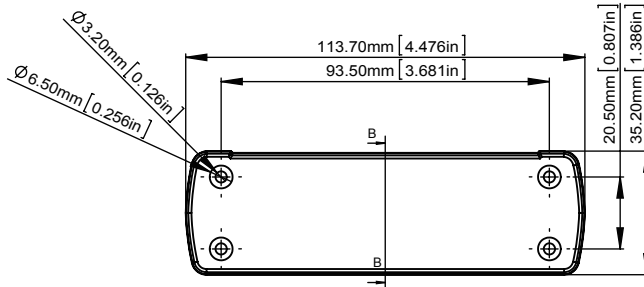
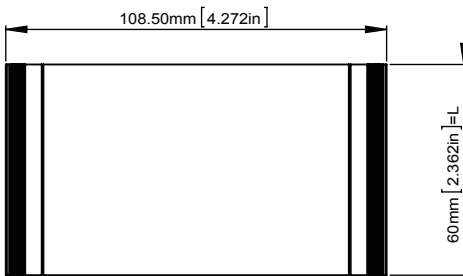
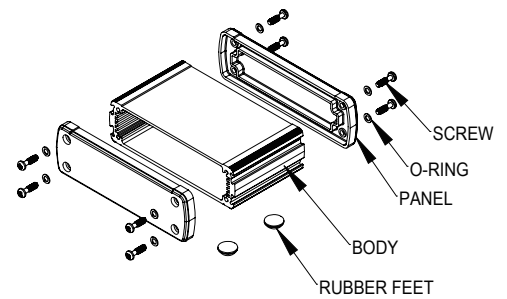
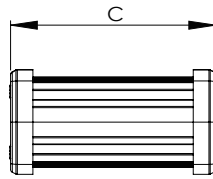
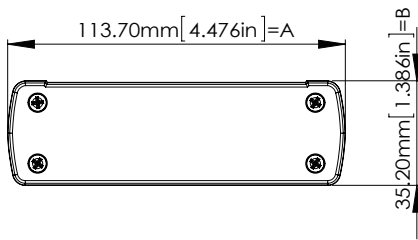
BODY

According to ISO 2768-m	
Measuring DIM=L	Tolerances
0.5 < L ≤ 3.0mm	± 0.1mm
3.0 < L ≤ 6.0mm	± 0.1mm
6.0 < L ≤ 30.0mm	± 0.2mm
30.0 < L ≤ 120.0mm	± 0.3mm
120.0 < L ≤ 400.0mm	± 0.5mm
400.0 < L ≤ 1000.0mm	± 0.8mm

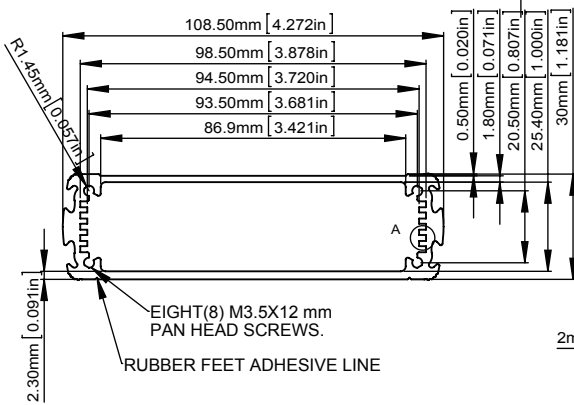
TYPE A

ALUG704XXXXX

ITEM NO	BODY	PANEL	O-RING	RUBBER FEET	SCREW	EXTERNAL DIMENSION(mm) AXBXC
ALUG704GD060	ALUMINIUM EXTRUSION 6063/ GOLDEN ANODIZED(PANTONE 4675C)	DIE-CAST ALUMINIUM ADC-12 /PAINTED BLACK(RAL9005)	Ø6X0.5 mm MATERIAL:PC COLOR:CLEAR	Ø12X5 mm MATERIAL:RUBBER (GAINTA ITEM NO:RF-1004) COLOR:BLACK	M3.5X12 mm MATERIAL:STAINLESS SUS 304 COLOR:UNFINISHED	113.7X35.2X69 mm
ALUG704SR060	ALUMINIUM EXTRUSION 6063/ SILVER ANODIZED(PANTONE 877C)					
ALUG704RD060	ALUMINIUM EXTRUSION 6063/ RED ANODIZED(PANTONE 187C)					
ALUG704BU060	ALUMINIUM EXTRUSION 6063/ BLUE ANODIZED(PANTONE 306C)					
ALUG704BK060	ALUMINIUM EXTRUSION 6063/ BLACK ANODIZED(PANTONE BLACK U)					
ALUG704GD110	ALUMINIUM EXTRUSION 6063/ GOLDEN ANODIZED(PANTONE 4675C)	DIE-CAST ALUMINIUM ADC-12 /PAINTED BLACK(RAL9005)	Ø6X0.5 mm MATERIAL:PC COLOR:CLEAR	Ø12X5 mm MATERIAL:RUBBER (GAINTA ITEM NO:RF-1004) COLOR:BLACK	M3.5X12 mm MATERIAL:STAINLESS SUS 304 COLOR:UNFINISHED	113.7X35.2X119 mm
ALUG704SR110	ALUMINIUM EXTRUSION 6063/ SILVER ANODIZED(PANTONE 877C)					
ALUG704RD110	ALUMINIUM EXTRUSION 6063/ RED ANODIZED(PANTONE 187C)					
ALUG704BU110	ALUMINIUM EXTRUSION 6063/ BLUE ANODIZED(PANTONE 306C)					
ALUG704BK110	ALUMINIUM EXTRUSION 6063/ BLACK ANODIZED(PANTONE BLACK U)					
ALUG704GD160	ALUMINIUM EXTRUSION 6063/ GOLDEN ANODIZED(PANTONE 4675C)	DIE-CAST ALUMINIUM ADC-12 /PAINTED BLACK(RAL9005)	Ø6X0.5 mm MATERIAL:PC COLOR:CLEAR	Ø12X5 mm MATERIAL:RUBBER (GAINTA ITEM NO:RF-1004) COLOR:BLACK	M3.5X12 mm MATERIAL:STAINLESS SUS 304 COLOR:UNFINISHED	113.7X35.2X169 mm
ALUG704SR160	ALUMINIUM EXTRUSION 6063/ SILVER ANODIZED(PANTONE 877C)					
ALUG704RD160	ALUMINIUM EXTRUSION 6063/ RED ANODIZED(PANTONE 187C)					
ALUG704BU160	ALUMINIUM EXTRUSION 6063/ BLUE ANODIZED(PANTONE 306C)					
ALUG704BK160	ALUMINIUM EXTRUSION 6063/ BLACK ANODIZED(PANTONE BLACK U)					

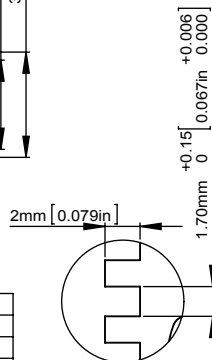


SECTION B-B

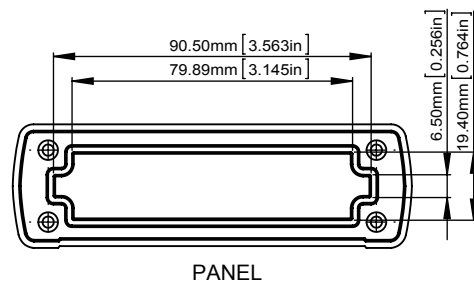


ITEM NO.	L(mm)
ALUG704XX060	60 mm
ALUG704XX110	110 mm
ALUG704XX160	160 mm

BODY



SECTION A
SCALE 5 : 1



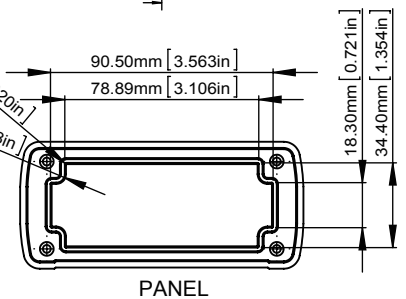
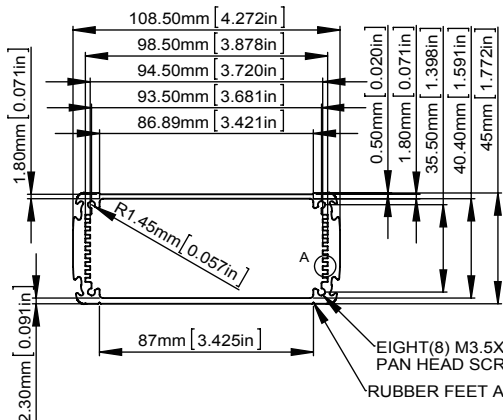
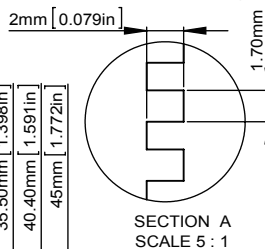
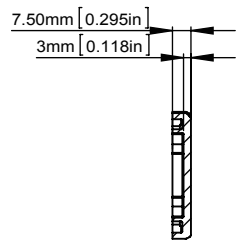
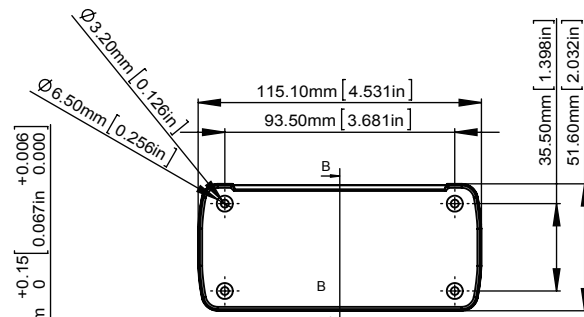
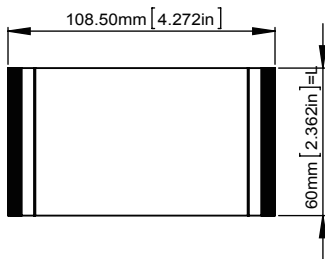
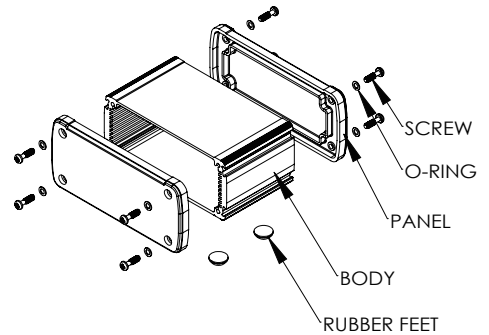
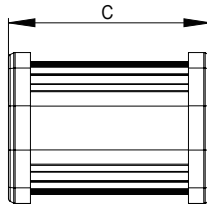
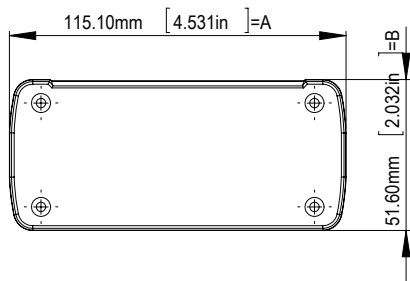
PANEL

According to ISO 2768-m	
Measuring DIM=L	Tolerances
0.5 < L ≤ 3.0mm	± 0.1mm
3.0 < L ≤ 6.0mm	± 0.1mm
6.0 < L ≤ 30.0mm	± 0.2mm
30.0 < L ≤ 120.0mm	± 0.3mm
120.0 < L ≤ 400.0mm	± 0.5mm
400.0 < L ≤ 1000.0mm	± 0.8mm

TYPE A

ALUG705XXXX

ITEM NO	BODY	PANEL	O-RING	RUBBER FEET	SCREW	EXTERNAL DIMENSION(mm) AXBXC
ALUG705GD060	ALUMINIUM EXTRUSION 6063/ GOLDEN ANODIZED(PANTONE 4675C)	DIE-CAST ALUMINIUM ADC-12 /PAINTED BLACK(RAL9005)	Ø6X0.5 mm MATERIAL:PC COLOR:CLEAR	Ø12X5 mm MATERIAL:RUBBER (GAINTA ITEM NO:RF-1004) COLOR:BLACK	M3.5X12 mm MATERIAL:STAINLESS SUS 304 COLOR:UNFINISHED	115.1X51.6X69 mm
ALUG705SR060	ALUMINIUM EXTRUSION 6063/ SILVER ANODIZED(PANTONE 877C)					
ALUG705RD060	ALUMINIUM EXTRUSION 6063/ RED ANODIZED(PANTONE 187C)					
ALUG705BU060	ALUMINIUM EXTRUSION 6063/ BLUE ANODIZED(PANTONE 306C)					
ALUG705BK060	ALUMINIUM EXTRUSION 6063/ BLACK ANODIZED(PANTONE BLACK U)					
ALUG705GD110	ALUMINIUM EXTRUSION 6063/ GOLDEN ANODIZED(PANTONE 4675C)	DIE-CAST ALUMINIUM ADC-12 /PAINTED BLACK(RAL9005)	Ø6X0.5 mm MATERIAL:PC COLOR:CLEAR	Ø12X5 mm MATERIAL:RUBBER (GAINTA ITEM NO:RF-1004) COLOR:BLACK	M3.5X12 mm MATERIAL:STAINLESS SUS 304 COLOR:UNFINISHED	115.1X51.6X119 mm
ALUG705SR110	ALUMINIUM EXTRUSION 6063/ SILVER ANODIZED(PANTONE 877C)					
ALUG705RD110	ALUMINIUM EXTRUSION 6063/ RED ANODIZED(PANTONE 187C)					
ALUG705BU110	ALUMINIUM EXTRUSION 6063/ BLUE ANODIZED(PANTONE 306C)					
ALUG705BK110	ALUMINIUM EXTRUSION 6063/ BLACK ANODIZED(PANTONE BLACK U)					
ALUG705GD160	ALUMINIUM EXTRUSION 6063/ GOLDEN ANODIZED(PANTONE 4675C)	DIE-CAST ALUMINIUM ADC-12 /PAINTED BLACK(RAL9005)	Ø6X0.5 mm MATERIAL:PC COLOR:CLEAR	Ø12X5 mm MATERIAL:RUBBER (GAINTA ITEM NO:RF-1004) COLOR:BLACK	M3.5X12 mm MATERIAL:STAINLESS SUS 304 COLOR:UNFINISHED	115.1X51.6X169 mm
ALUG705SR160	ALUMINIUM EXTRUSION 6063/ SILVER ANODIZED(PANTONE 877C)					
ALUG705RD160	ALUMINIUM EXTRUSION 6063/ RED ANODIZED(PANTONE 187C)					
ALUG705BU160	ALUMINIUM EXTRUSION 6063/ BLUE ANODIZED(PANTONE 306C)					
ALUG705BK160	ALUMINIUM EXTRUSION 6063/ BLACK ANODIZED(PANTONE BLACK U)					



According to ISO 2768-m	
Measuring DIM=L	Tolerances
0.5 < L ≤ 3.0mm	± 0.1mm
3.0 < L ≤ 6.0mm	± 0.1mm
6.0 < L ≤ 30.0mm	± 0.2mm
30.0 < L ≤ 120.0mm	± 0.3mm
120.0 < L ≤ 400.0mm	± 0.5mm
400.0 < L ≤ 1000.0mm	± 0.8mm

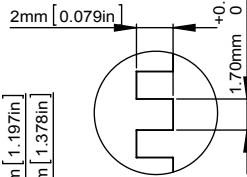
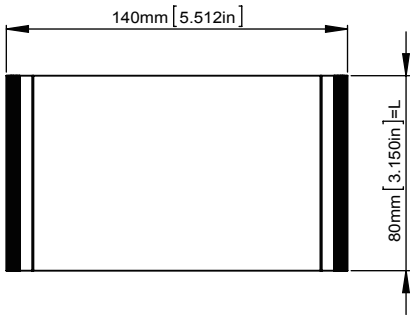
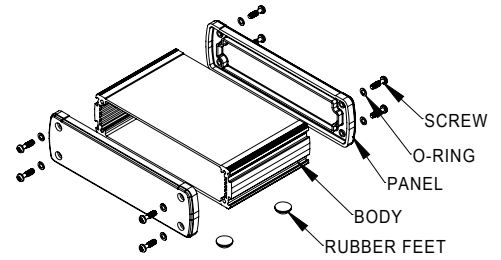
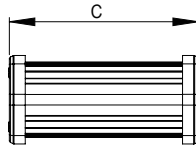
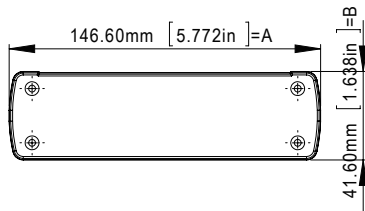
ITEM NO.	L(mm)
ALUG705XX060	60 mm
ALUG705XX110	110 mm
ALUG705XX160	160 mm

BODY

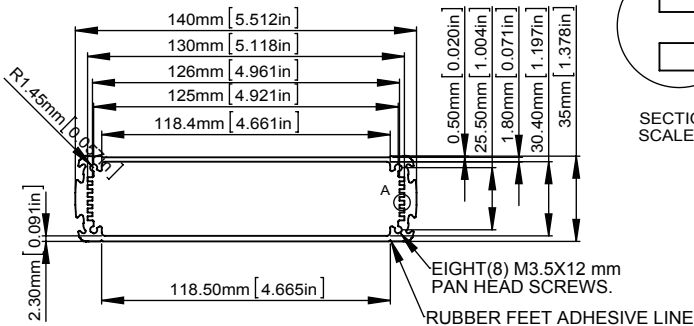
TYPE A

ALUG706XXXX

ITEM NO	BODY	PANEL	O-RING	RUBBER FEET	SCREW	EXTERNAL DIMENSION(mm) AXBXC
ALUG706GD080	ALUMINIUM EXTRUSION 6063/ GOLDEN ANODIZED(PANTONE 4675C)	DIE-CAST ALUMINIUM ADC-12 (PAINTED BLACK(RAL9005))	Ø6X0.5 mm MATERIAL:PC COLOR:CLEAR	Ø12X5 mm MATERIAL:RUBBER (GAINTA ITEM NO:RF-1004) COLOR:BLACK	M3.5X12 mm MATERIAL:STAINLESS SUS 304 COLOR:UNFINISHED	146.6X41.6X89 mm
ALUG706SR080	ALUMINIUM EXTRUSION 6063/ SILVER ANODIZED(PANTONE 877C)					
ALUG706RD080	ALUMINIUM EXTRUSION 6063/ RED ANODIZED(PANTONE 187C)					
ALUG706BU080	ALUMINIUM EXTRUSION 6063/ BLUE ANODIZED(PANTONE 306C)					
ALUG706BK080	ALUMINIUM EXTRUSION 6063/ BLACK ANODIZED(PANTONE BLACK U)					
ALUG706GD120	ALUMINIUM EXTRUSION 6063/ GOLDEN ANODIZED(PANTONE 4675C)	DIE-CAST ALUMINIUM ADC-12 (PAINTED BLACK(RAL9005))	Ø6X0.5 mm MATERIAL:PC COLOR:CLEAR	Ø12X5 mm MATERIAL:RUBBER (GAINTA ITEM NO:RF-1004) COLOR:BLACK	M3.5X12 mm MATERIAL:STAINLESS SUS 304 COLOR:UNFINISHED	146.6X41.6X129 mm
ALUG706SR120	ALUMINIUM EXTRUSION 6063/ SILVER ANODIZED(PANTONE 877C)					
ALUG706RD120	ALUMINIUM EXTRUSION 6063/ RED ANODIZED(PANTONE 187C)					
ALUG706BU120	ALUMINIUM EXTRUSION 6063/ BLUE ANODIZED(PANTONE 306C)					
ALUG706BK120	ALUMINIUM EXTRUSION 6063/ BLACK ANODIZED(PANTONE BLACK U)					
ALUG706GD160	ALUMINIUM EXTRUSION 6063/ GOLDEN ANODIZED(PANTONE 4675C)	DIE-CAST ALUMINIUM ADC-12 (PAINTED BLACK(RAL9005))	Ø6X0.5 mm MATERIAL:PC COLOR:CLEAR	Ø12X5 mm MATERIAL:RUBBER (GAINTA ITEM NO:RF-1004) COLOR:BLACK	M3.5X12 mm MATERIAL:STAINLESS SUS 304 COLOR:UNFINISHED	146.6X41.6X169 mm
ALUG706SR160	ALUMINIUM EXTRUSION 6063/ SILVER ANODIZED(PANTONE 877C)					
ALUG706RD160	ALUMINIUM EXTRUSION 6063/ RED ANODIZED(PANTONE 187C)					
ALUG706BU160	ALUMINIUM EXTRUSION 6063/ BLUE ANODIZED(PANTONE 306C)					
ALUG706BK160	ALUMINIUM EXTRUSION 6063/ BLACK ANODIZED(PANTONE BLACK U)					
ALUG706GD200	ALUMINIUM EXTRUSION 6063/ GOLDEN ANODIZED(PANTONE 4675C)	DIE-CAST ALUMINIUM ADC-12 (PAINTED BLACK(RAL9005))	Ø6X0.5 mm MATERIAL:PC COLOR:CLEAR	Ø12X5 mm MATERIAL:RUBBER (GAINTA ITEM NO:RF-1004) COLOR:BLACK	M3.5X12 mm MATERIAL:STAINLESS SUS 304 COLOR:UNFINISHED	146.6X41.6X209 mm
ALUG706SR200	ALUMINIUM EXTRUSION 6063/ SILVER ANODIZED(PANTONE 877C)					
ALUG706RD200	ALUMINIUM EXTRUSION 6063/ RED ANODIZED(PANTONE 187C)					
ALUG706BU200	ALUMINIUM EXTRUSION 6063/ BLUE ANODIZED(PANTONE 306C)					
ALUG706BK200	ALUMINIUM EXTRUSION 6063/ BLACK ANODIZED(PANTONE BLACK U)					

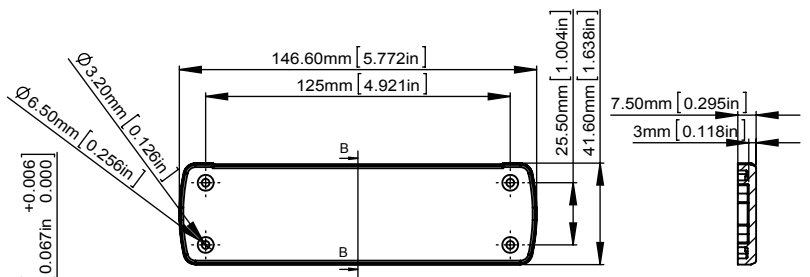


SECTION A
SCALE 5 : 1

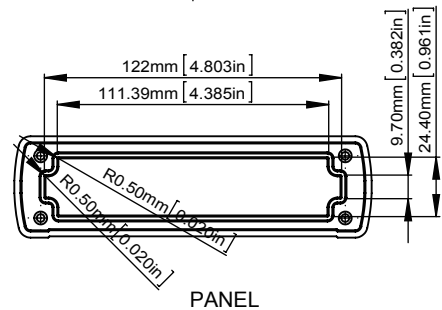


ITEM NO.	L(mm)
ALUG706XX080	80 mm
ALUG706XX120	120 mm
ALUG706XX160	160 mm
ALUG706XX200	200 mm

BODY



SECTION B-B
SCALE 2 : 3



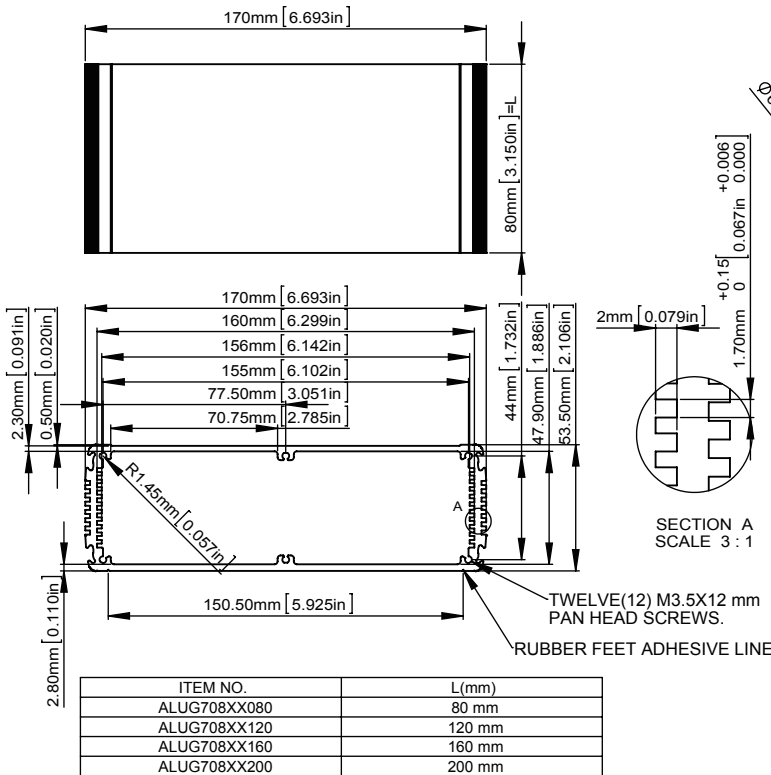
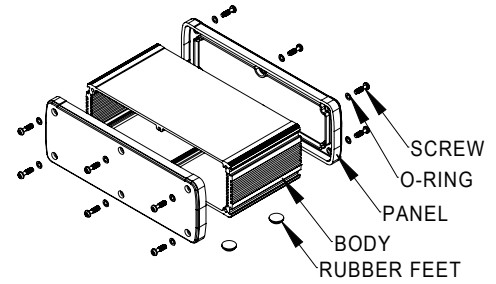
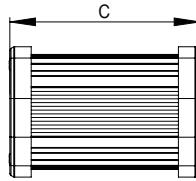
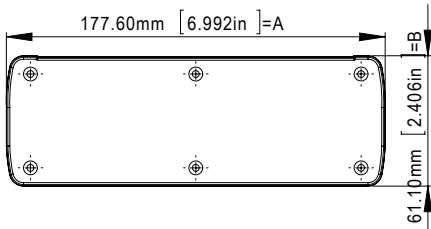
PANEL

According to ISO 2768-m	
Measuring DIM=L	Tolerances
0.5 < L ≤ 3.0mm	± 0.1mm
3.0 < L ≤ 6.0mm	± 0.1mm
6.0 < L ≤ 30.0mm	± 0.2mm
30.0 < L ≤ 120.0mm	± 0.3mm
120.0 < L ≤ 400.0mm	± 0.5mm
400.0 < L ≤ 1000.0mm	± 0.8mm

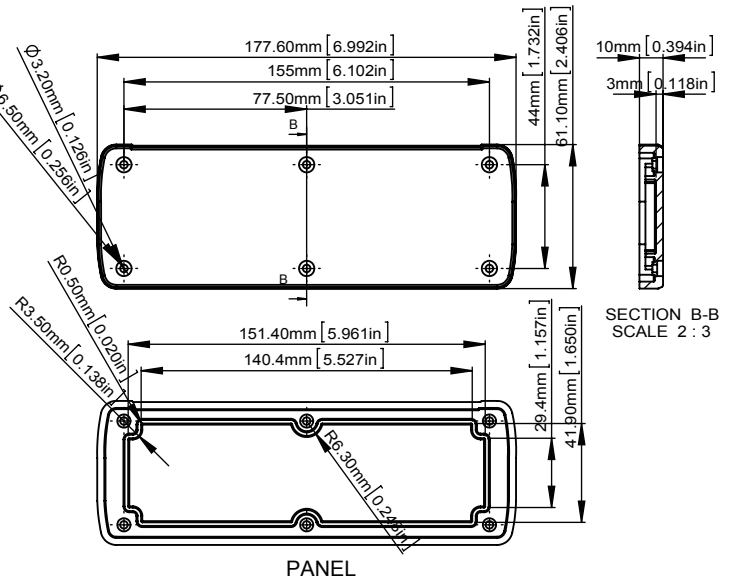
TYPE A

ALUG708XXXX

ITEM NO	BODY	PANEL	O-RING	RUBBER FEET	SCREW	EXTERNAL DIMENSION(mm) AXBXC
ALUG708GD080	ALUMINIUM EXTRUSION 6063/ GOLDEN ANODIZED(PANTONE 4675C)	DIE-CAST ALUMINIUM ADC-12 /PAINTED BLACK(RAL9005)	Ø6X0.5 mm MATERIAL:PC COLOR:CLEAR	Ø12X5 mm MATERIAL:RUBBER (GAINTA ITEM NO:RF-1004) COLOR:BLACK	M3.5X12 mm MATERIAL:STAINLESS SUS 304 COLOR:UNFINISHED	177.6X61.1X89 mm
ALUG708SR080	ALUMINIUM EXTRUSION 6063/ SILVER ANODIZED(PANTONE 877C)					
ALUG708RD080	ALUMINIUM EXTRUSION 6063/ RED ANODIZED(PANTONE 187C)					
ALUG708BU080	ALUMINIUM EXTRUSION 6063/ BLUE ANODIZED(PANTONE 306C)					
ALUG708BK080	ALUMINIUM EXTRUSION 6063/ BLACK ANODIZED(PANTONE BLACK U)					
ALUG708GD120	ALUMINIUM EXTRUSION 6063/ GOLDEN ANODIZED(PANTONE 4675C)	DIE-CAST ALUMINIUM ADC-12 /PAINTED BLACK(RAL9005)	Ø6X0.5 mm MATERIAL:PC COLOR:CLEAR	Ø12X5 mm MATERIAL:RUBBER (GAINTA ITEM NO:RF-1004) COLOR:BLACK	M3.5X12 mm MATERIAL:STAINLESS SUS 304 COLOR:UNFINISHED	177.6X61.1X129 mm
ALUG708SR120	ALUMINIUM EXTRUSION 6063/ SILVER ANODIZED(PANTONE 877C)					
ALUG708RD120	ALUMINIUM EXTRUSION 6063/ RED ANODIZED(PANTONE 187C)					
ALUG708BU120	ALUMINIUM EXTRUSION 6063/ BLUE ANODIZED(PANTONE 306C)					
ALUG708BK120	ALUMINIUM EXTRUSION 6063/ BLACK ANODIZED(PANTONE BLACK U)					
ALUG708GD160	ALUMINIUM EXTRUSION 6063/ GOLDEN ANODIZED(PANTONE 4675C)	DIE-CAST ALUMINIUM ADC-12 /PAINTED BLACK(RAL9005)	Ø6X0.5 mm MATERIAL:PC COLOR:CLEAR	Ø12X5 mm MATERIAL:RUBBER (GAINTA ITEM NO:RF-1004) COLOR:BLACK	M3.5X12 mm MATERIAL:STAINLESS SUS 304 COLOR:UNFINISHED	177.6X61.1X169 mm
ALUG708SR160	ALUMINIUM EXTRUSION 6063/ SILVER ANODIZED(PANTONE 877C)					
ALUG708RD160	ALUMINIUM EXTRUSION 6063/ RED ANODIZED(PANTONE 187C)					
ALUG708BU160	ALUMINIUM EXTRUSION 6063/ BLUE ANODIZED(PANTONE 306C)					
ALUG708BK160	ALUMINIUM EXTRUSION 6063/ BLACK ANODIZED(PANTONE BLACK U)					
ALUG708GD200	ALUMINIUM EXTRUSION 6063/ GOLDEN ANODIZED(PANTONE 4675C)	DIE-CAST ALUMINIUM ADC-12 /PAINTED BLACK(RAL9005)	Ø6X0.5 mm MATERIAL:PC COLOR:CLEAR	Ø12X5 mm MATERIAL:RUBBER (GAINTA ITEM NO:RF-1004) COLOR:BLACK	M3.5X12 mm MATERIAL:STAINLESS SUS 304 COLOR:UNFINISHED	177.6X61.1X209 mm
ALUG708SR200	ALUMINIUM EXTRUSION 6063/ SILVER ANODIZED(PANTONE 877C)					
ALUG708RD200	ALUMINIUM EXTRUSION 6063/ RED ANODIZED(PANTONE 187C)					
ALUG708BU200	ALUMINIUM EXTRUSION 6063/ BLUE ANODIZED(PANTONE 306C)					
ALUG708BK200	ALUMINIUM EXTRUSION 6063/ BLACK ANODIZED(PANTONE BLACK U)					



BODY



SECTION B-B
SCALE 2 : 3

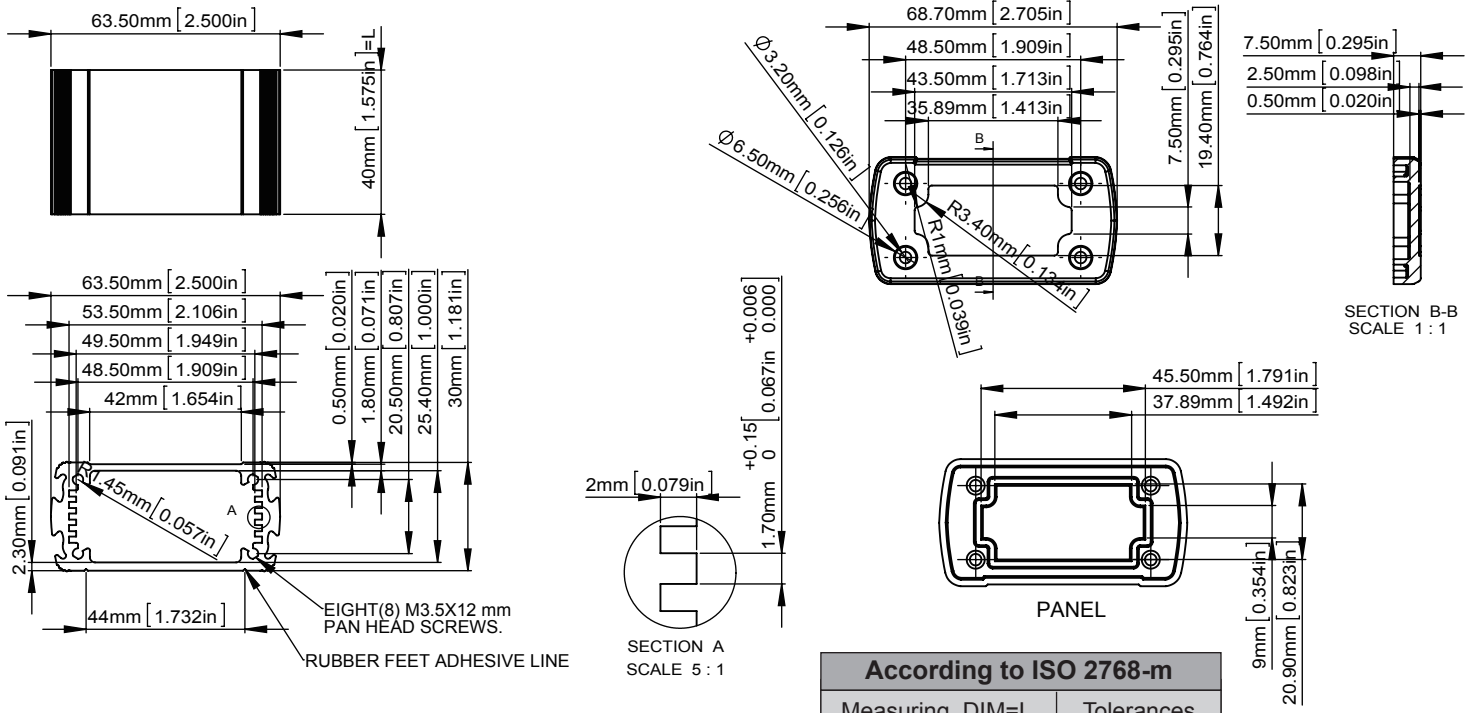
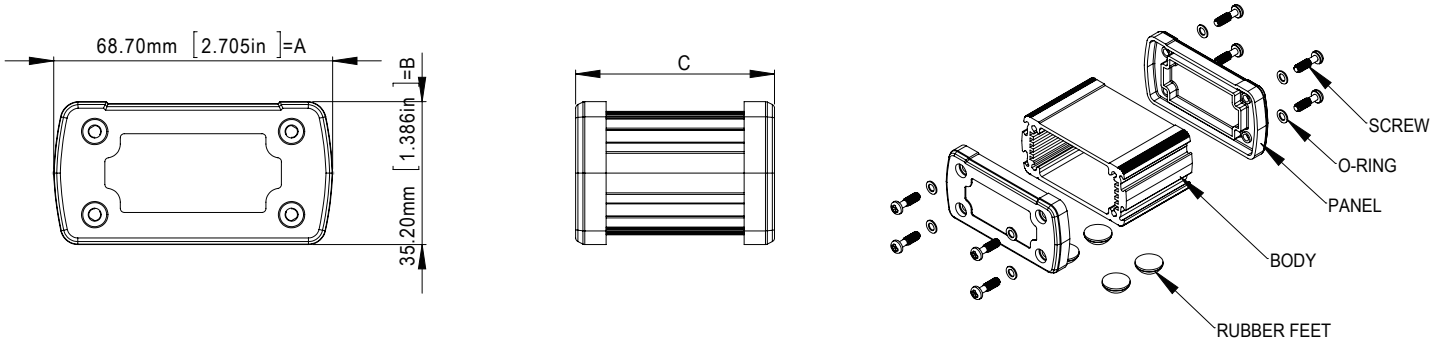
PANEL

According to ISO 2768-m	
Measuring DIM=L	Tolerances
0.5 < L ≤ 3.0mm	± 0.1mm
3.0 < L ≤ 6.0mm	± 0.1mm
6.0 < L ≤ 30.0mm	± 0.2mm
30.0 < L ≤ 120.0mm	± 0.3mm
120.0 < L ≤ 400.0mm	± 0.5mm
400.0 < L ≤ 1000.0mm	± 0.8mm

TYPE B

ALUG702XXXX-XXX

ITEM NO	BODY	PANEL	O-RING	RUBBER FEET	SCREW	EXTERNAL DIMENSION(mm) AXBXC
ALUG702GD040-C	ALUMINIUM EXTRUSION 6063/ GOLDEN ANODIZED(PANTONE 4675C)	UL94-V0 OF POLYCARBONATE/CLEAR	Ø6X0.5 mm MATERIAL:PC COLOR:CLEAR	Ø12X5 mm MATERIAL:RUBBER (GAINTA ITEM NO:RF-1004) COLOR:BLACK	M3.5X12 mm MATERIAL:STAINLESS SUS 304 COLOR:UNFINISHED	68.7X35.2X49 mm
ALUG702SR040-C	ALUMINIUM EXTRUSION 6063/ SILVER ANODIZED(PANTONE 877C)	UL94-V0 OF POLYCARBONATE/CLEAR				
ALUG702RD040-IR	ALUMINIUM EXTRUSION 6063/ RED ANODIZED(PANTONE 187C)	UL94-V0 OF POLYCARBONATE/TRANSLUCENT RED				
ALUG702BU040-CBU	ALUMINIUM EXTRUSION 6063/ BLUE ANODIZED(PANTONE 306C)	UL94-V0 OF POLYCARBONATE/TRANSLUCENT BLUE				
ALUG702BK040-BK	ALUMINIUM EXTRUSION 6063/ BLACK ANODIZED(PANTONE BLACK U)	UL94-V0 OF POLYCARBONATE/BLACK				
ALUG702GD080-C	ALUMINIUM EXTRUSION 6063/ GOLDEN ANODIZED(PANTONE 4675C)	UL94-V0 OF POLYCARBONATE/CLEAR	Ø6X0.5 mm MATERIAL:PC COLOR:CLEAR	Ø12X5 mm MATERIAL:RUBBER (GAINTA ITEM NO:RF-1004) COLOR:BLACK	M3.5X12 mm MATERIAL:STAINLESS SUS 304 COLOR:UNFINISHED	68.7X35.2X89 mm
ALUG702SR080-C	ALUMINIUM EXTRUSION 6063/ SILVER ANODIZED(PANTONE 877C)	UL94-V0 OF POLYCARBONATE/CLEAR				
ALUG702RD080-IR	ALUMINIUM EXTRUSION 6063/ RED ANODIZED(PANTONE 187C)	UL94-V0 OF POLYCARBONATE/TRANSLUCENT RED				
ALUG702BU080-CBU	ALUMINIUM EXTRUSION 6063/ BLUE ANODIZED(PANTONE 306C)	UL94-V0 OF POLYCARBONATE/TRANSLUCENT BLUE				
ALUG702BK080-BK	ALUMINIUM EXTRUSION 6063/ BLACK ANODIZED(PANTONE BLACK U)	UL94-V0 OF POLYCARBONATE/BLACK				
ALUG702GD120-C	ALUMINIUM EXTRUSION 6063/ GOLDEN ANODIZED(PANTONE 4675C)	UL94-V0 OF POLYCARBONATE/CLEAR	Ø6X0.5 mm MATERIAL:PC COLOR:CLEAR	Ø12X5 mm MATERIAL:RUBBER (GAINTA ITEM NO:RF-1004) COLOR:BLACK	M3.5X12 mm MATERIAL:STAINLESS SUS 304 COLOR:UNFINISHED	68.7X35.2X129 mm
ALUG702SR120-C	ALUMINIUM EXTRUSION 6063/ SILVER ANODIZED(PANTONE 877C)	UL94-V0 OF POLYCARBONATE/CLEAR				
ALUG702RD120-IR	ALUMINIUM EXTRUSION 6063/ RED ANODIZED(PANTONE 187C)	UL94-V0 OF POLYCARBONATE/TRANSLUCENT RED				
ALUG702BU120-CBU	ALUMINIUM EXTRUSION 6063/ BLUE ANODIZED(PANTONE 306C)	UL94-V0 OF POLYCARBONATE/TRANSLUCENT BLUE				
ALUG702BK120-BK	ALUMINIUM EXTRUSION 6063/ BLACK ANODIZED(PANTONE BLACK U)	UL94-V0 OF POLYCARBONATE/BLACK				



ITEM NO.	L(mm)
ALUG702XX040-XXX	40 mm
ALUG702XX080-XXX	80 mm
ALUG702XX120-XXX	120 mm

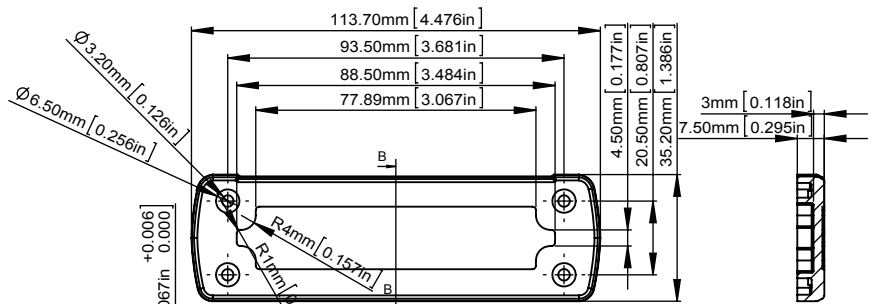
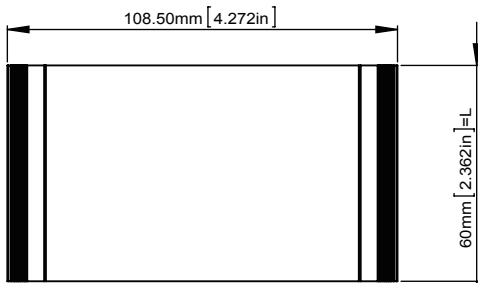
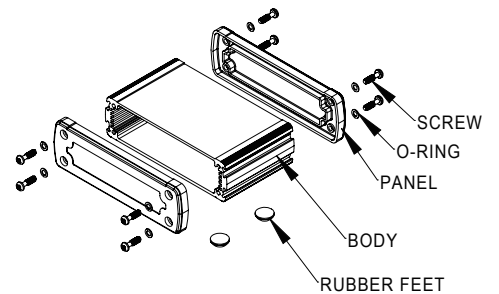
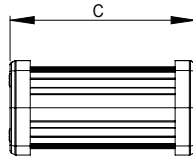
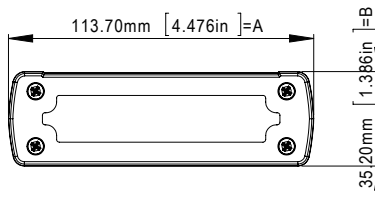
BODY

According to ISO 2768-m	
Measuring DIM=L	Tolerances
0.5 < L ≤ 3.0mm	± 0.1mm
3.0 < L ≤ 6.0mm	± 0.1mm
6.0 < L ≤ 30.0mm	± 0.2mm
30.0 < L ≤ 120.0mm	± 0.3mm
120.0 < L ≤ 400.0mm	± 0.5mm
400.0 < L ≤ 1000.0mm	± 0.8mm

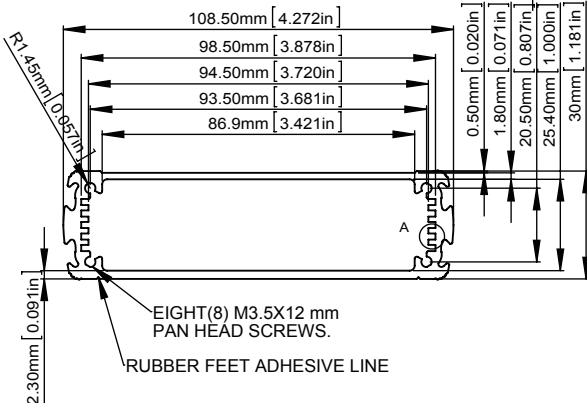
TYPE B

ALUG704XXXXX-XXX

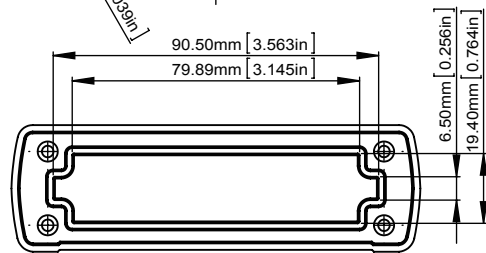
ITEM NO	BODY	PANEL	O-RING	RUBBER FEET	SCREW	EXTERNAL DIMENSION(mm) AXBXC
ALUG704GD060-C	ALUMINIUM EXTRUSION 6063/ GOLDEN ANODIZED(PANTONE 4675C)	UL94-V0 OF POLYCARBONATE/CLEAR	Ø6X0.5 mm MATERIAL:PC COLOR:CLEAR	Ø12X5 mm MATERIAL:RUBBER (GAINTA ITEM NO:RF-1004) COLOR:BLACK	M3.5X12 mm MATERIAL:STAINLESS SUS 304 COLOR:UNFINISHED	113.7X35.2X69 mm
ALUG704SR060-C	ALUMINIUM EXTRUSION 6063/ SILVER ANODIZED(PANTONE 877C)	UL94-V0 OF POLYCARBONATE/CLEAR				
ALUG704RD060-IR	ALUMINIUM EXTRUSION 6063/ RED ANODIZED(PANTONE 187C)	UL94-V0 OF POLYCARBONATE/TRANSLUCENT RED				
ALUG704BU060-CBU	ALUMINIUM EXTRUSION 6063/ BLUE ANODIZED(PANTONE 306C)	UL94-V0 OF POLYCARBONATE/TRANSLUCENT BLUE				
ALUG704BK060-BK	ALUMINIUM EXTRUSION 6063/ BLACK ANODIZED(PANTONE BLACK U)	UL94-V0 OF POLYCARBONATE/BLACK				
ALUG704GD110-C	ALUMINIUM EXTRUSION 6063/ GOLDEN ANODIZED(PANTONE 4675C)	UL94-V0 OF POLYCARBONATE/CLEAR	Ø6X0.5 mm MATERIAL:PC COLOR:CLEAR	Ø12X5 mm MATERIAL:RUBBER (GAINTA ITEM NO:RF-1004) COLOR:BLACK	M3.5X12 mm MATERIAL:STAINLESS SUS 304 COLOR:UNFINISHED	113.7X35.2X119 mm
ALUG704SR110-C	ALUMINIUM EXTRUSION 6063/ SILVER ANODIZED(PANTONE 877C)	UL94-V0 OF POLYCARBONATE/CLEAR				
ALUG704RD110-IR	ALUMINIUM EXTRUSION 6063/ RED ANODIZED(PANTONE 187C)	UL94-V0 OF POLYCARBONATE/TRANSLUCENT RED				
ALUG704BU110-CBU	ALUMINIUM EXTRUSION 6063/ BLUE ANODIZED(PANTONE 306C)	UL94-V0 OF POLYCARBONATE/TRANSLUCENT BLUE				
ALUG704BK110-BK	ALUMINIUM EXTRUSION 6063/ BLACK ANODIZED(PANTONE BLACK U)	UL94-V0 OF POLYCARBONATE/BLACK				
ALUG704GD160-C	ALUMINIUM EXTRUSION 6063/ GOLDEN ANODIZED(PANTONE 4675C)	UL94-V0 OF POLYCARBONATE/CLEAR	Ø6X0.5 mm MATERIAL:PC COLOR:CLEAR	Ø12X5 mm MATERIAL:RUBBER (GAINTA ITEM NO:RF-1004) COLOR:BLACK	M3.5X12 mm MATERIAL:STAINLESS SUS 304 COLOR:UNFINISHED	113.7X35.2X169 mm
ALUG704SR160-C	ALUMINIUM EXTRUSION 6063/ SILVER ANODIZED(PANTONE 877C)	UL94-V0 OF POLYCARBONATE/CLEAR				
ALUG704RD160-IR	ALUMINIUM EXTRUSION 6063/ RED ANODIZED(PANTONE 187C)	UL94-V0 OF POLYCARBONATE/TRANSLUCENT RED				
ALUG704BU160-CBU	ALUMINIUM EXTRUSION 6063/ BLUE ANODIZED(PANTONE 306C)	UL94-V0 OF POLYCARBONATE/TRANSLUCENT BLUE				
ALUG704BK160-BK	ALUMINIUM EXTRUSION 6063/ BLACK ANODIZED(PANTONE BLACK U)	UL94-V0 OF POLYCARBONATE/BLACK				



SECTION B-B



SECTION A SCALE 5:1



PANEL

ITEM NO.	L(mm)
ALUG704XX060-XXX	60 mm
ALUG704XX110-XXX	110 mm
ALUG704XX160-XXX	160 mm

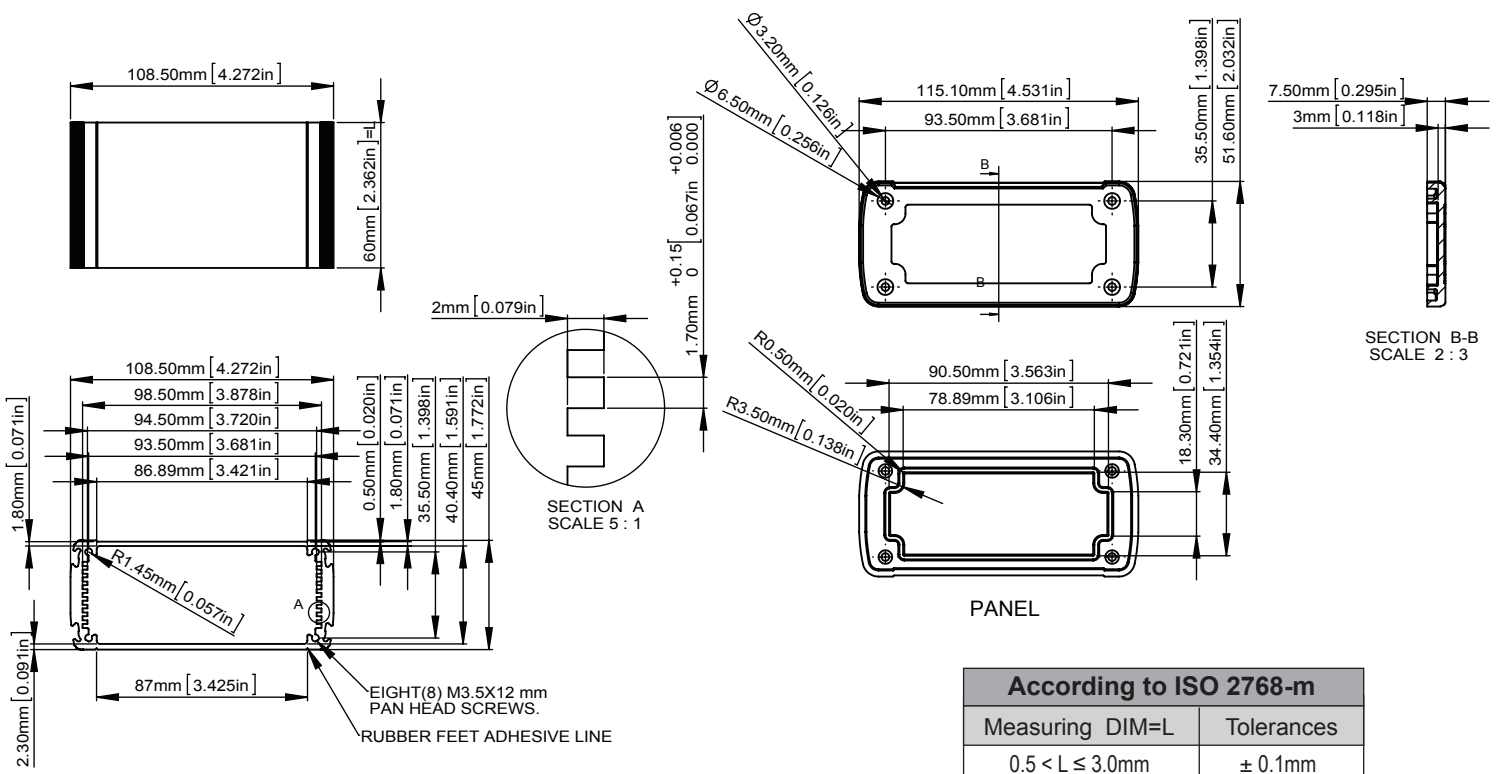
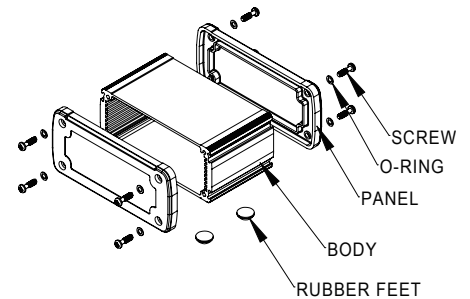
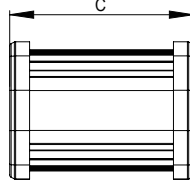
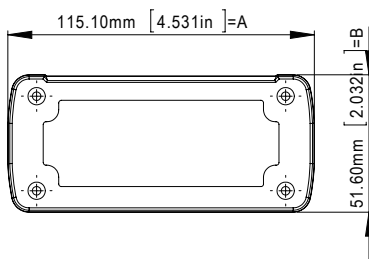
BODY

According to ISO 2768-m	
Measuring DIM=L	Tolerances
0.5 < L ≤ 3.0mm	± 0.1mm
3.0 < L ≤ 6.0mm	± 0.1mm
6.0 < L ≤ 30.0mm	± 0.2mm
30.0 < L ≤ 120.0mm	± 0.3mm
120.0 < L ≤ 400.0mm	± 0.5mm
400.0 < L ≤ 1000.0mm	± 0.8mm

TYPE B

ALUG705XXXXX-XXX

ITEM NO	BODY	PANEL	O-RING	RUBBER FEET	SCREW	EXTERNAL DIMENSION(mm) AXBXC
ALUG705GD060-C	ALUMINIUM EXTRUSION 6063/ GOLDEN ANODIZED(PANTONE 4675C)	UL94-V0 OF POLYCARBONATE/CLEAR	Ø6X0.5 mm MATERIAL:PC COLOR:CLEAR	Ø12X5 mm MATERIAL:RUBBER (GAINTA ITEM NO:RF-1004) COLOR:BLACK	M3.5X12 mm MATERIAL:STAINLESS SUS 304 COLOR:UNFINISHED	115.1X51.6X69 mm
ALUG705SR060-C	ALUMINIUM EXTRUSION 6063/ SILVER ANODIZED(PANTONE 877C)	UL94-V0 OF POLYCARBONATE/CLEAR				
ALUG705RD060-IR	ALUMINIUM EXTRUSION 6063/ RED ANODIZED(PANTONE 187C)	UL94-V0 OF POLYCARBONATE/TRANSLUCENT RED				
ALUG705BU060-CBU	ALUMINIUM EXTRUSION 6063/ BLUE ANODIZED(PANTONE 306C)	UL94-V0 OF POLYCARBONATE/TRANSLUCENT BLUE				
ALUG705BK060-BK	ALUMINIUM EXTRUSION 6063/ BLACK ANODIZED(PANTONE BLACK U)	UL94-V0 OF POLYCARBONATE/BLACK				
ALUG705GD110-C	ALUMINIUM EXTRUSION 6063/ GOLDEN ANODIZED(PANTONE 4675C)	UL94-V0 OF POLYCARBONATE/CLEAR	Ø6X0.5 mm MATERIAL:PC COLOR:CLEAR	Ø12X5 mm MATERIAL:RUBBER (GAINTA ITEM NO:RF-1004) COLOR:BLACK	M3.5X12 mm MATERIAL:STAINLESS SUS 304 COLOR:UNFINISHED	115.1X51.6X119 mm
ALUG705SR110-C	ALUMINIUM EXTRUSION 6063/ SILVER ANODIZED(PANTONE 877C)	UL94-V0 OF POLYCARBONATE/CLEAR				
ALUG705RD110-IR	ALUMINIUM EXTRUSION 6063/ RED ANODIZED(PANTONE 187C)	UL94-V0 OF POLYCARBONATE/TRANSLUCENT RED				
ALUG705BU110-CBU	ALUMINIUM EXTRUSION 6063/ BLUE ANODIZED(PANTONE 306C)	UL94-V0 OF POLYCARBONATE/TRANSLUCENT BLUE				
ALUG705BK110-BK	ALUMINIUM EXTRUSION 6063/ BLACK ANODIZED(PANTONE BLACK U)	UL94-V0 OF POLYCARBONATE/BLACK				
ALUG705GD160-C	ALUMINIUM EXTRUSION 6063/ GOLDEN ANODIZED(PANTONE 4675C)	UL94-V0 OF POLYCARBONATE/CLEAR	Ø6X0.5 mm MATERIAL:PC COLOR:CLEAR	Ø12X5 mm MATERIAL:RUBBER (GAINTA ITEM NO:RF-1004) COLOR:BLACK	M3.5X12 mm MATERIAL:STAINLESS SUS 304 COLOR:UNFINISHED	115.1X51.6X169 mm
ALUG705SR160-C	ALUMINIUM EXTRUSION 6063/ SILVER ANODIZED(PANTONE 877C)	UL94-V0 OF POLYCARBONATE/CLEAR				
ALUG705RD160-IR	ALUMINIUM EXTRUSION 6063/ RED ANODIZED(PANTONE 187C)	UL94-V0 OF POLYCARBONATE/TRANSLUCENT RED				
ALUG705BU160-CBU	ALUMINIUM EXTRUSION 6063/ BLUE ANODIZED(PANTONE 306C)	UL94-V0 OF POLYCARBONATE/TRANSLUCENT BLUE				
ALUG705BK160-BK	ALUMINIUM EXTRUSION 6063/ BLACK ANODIZED(PANTONE BLACK U)	UL94-V0 OF POLYCARBONATE/BLACK				



ITEM NO.	L(mm)
ALUG705XX060-XXX	60 mm
ALUG705XX110-XXX	110 mm
ALUG705XX160-XXX	160 mm

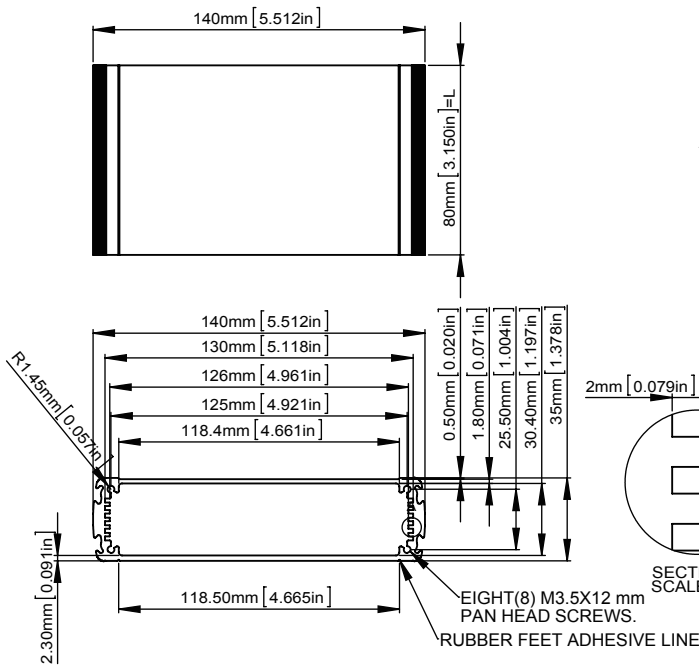
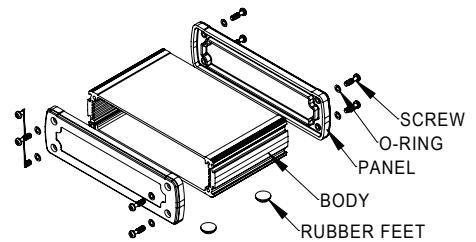
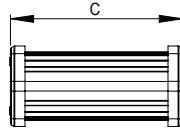
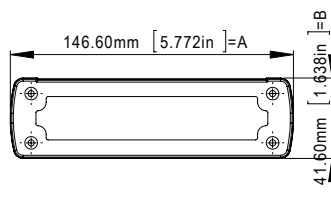
BODY

According to ISO 2768-m	
Measuring DIM=L	Tolerances
0.5 < L ≤ 3.0mm	± 0.1mm
3.0 < L ≤ 6.0mm	± 0.1mm
6.0 < L ≤ 30.0mm	± 0.2mm
30.0 < L ≤ 120.0mm	± 0.3mm
120.0 < L ≤ 400.0mm	± 0.5mm
400.0 < L ≤ 1000.0mm	± 0.8mm

TYPE B

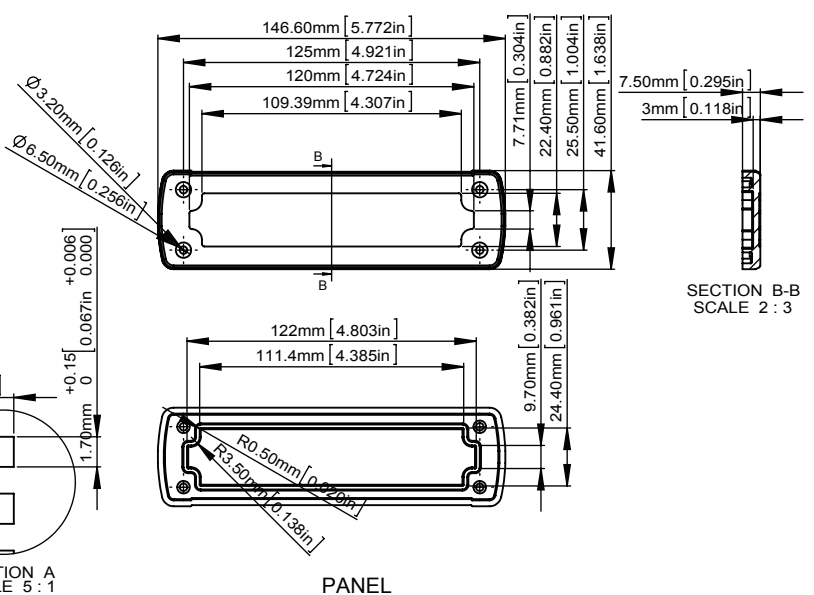
ALUG706XXXXX-XXX

ITEM NO	BODY	PANEL	O-RING	RUBBER FEET	SCREW	EXTERNAL DIMENSION(mm) AXBXC
ALUG706GD080-C	ALUMINIUM EXTRUSION 6063/ GOLDEN ANODIZED(PANTONE 4675C)	UL94-V0 OF POLYCARBONATE/CLEAR				
ALUG706SR080-C	ALUMINIUM EXTRUSION 6063/ SILVER ANODIZED(PANTONE 877C)	UL94-V0 OF POLYCARBONATE/CLEAR				
ALUG706RD080-IR	ALUMINIUM EXTRUSION 6063/ RED ANODIZED(PANTONE 187C)	UL94-V0 OF POLYCARBONATE/TRANSLUCENT RED	Ø6X0.5 mm MATERIAL:PC COLOR:CLEAR	Ø12X5 mm MATERIAL:RUBBER (GAINTA ITEM NO:RF-1004) COLOR:BLACK	M3.5X12 mm MATERIAL:STAINLESS SUS 304 COLOR:UNFINISHED	146.6X41.6X89 mm
ALUG706BU080-CBU	ALUMINIUM EXTRUSION 6063/ BLUE ANODIZED(PANTONE 306C)	UL94-V0 OF POLYCARBONATE/TRANSLUCENT BLUE				
ALUG706BK080-BK	ALUMINIUM EXTRUSION 6063/ BLACK ANODIZED(PANTONE BLACK U)	UL94-V0 OF POLYCARBONATE/BLACK				
ALUG706GD120-C	ALUMINIUM EXTRUSION 6063/ GOLDEN ANODIZED(PANTONE 4675C)	UL94-V0 OF POLYCARBONATE/CLEAR				
ALUG706SR120-C	ALUMINIUM EXTRUSION 6063/ SILVER ANODIZED(PANTONE 877C)	UL94-V0 OF POLYCARBONATE/CLEAR				
ALUG706RD120-IR	ALUMINIUM EXTRUSION 6063/ RED ANODIZED(PANTONE 187C)	UL94-V0 OF POLYCARBONATE/TRANSLUCENT RED	Ø6X0.5 mm MATERIAL:PC COLOR:CLEAR	Ø12X5 mm MATERIAL:RUBBER (GAINTA ITEM NO:RF-1004) COLOR:BLACK	M3.5X12 mm MATERIAL:STAINLESS SUS 304 COLOR:UNFINISHED	146.6X41.6X129 mm
ALUG706BU120-CBU	ALUMINIUM EXTRUSION 6063/ BLUE ANODIZED(PANTONE 306C)	UL94-V0 OF POLYCARBONATE/TRANSLUCENT BLUE				
ALUG706BK120-BK	ALUMINIUM EXTRUSION 6063/ BLACK ANODIZED(PANTONE BLACK U)	UL94-V0 OF POLYCARBONATE/BLACK				
ALUG706GD160-C	ALUMINIUM EXTRUSION 6063/ GOLDEN ANODIZED(PANTONE 4675C)	UL94-V0 OF POLYCARBONATE/CLEAR				
ALUG706SR160-C	ALUMINIUM EXTRUSION 6063/ SILVER ANODIZED(PANTONE 877C)	UL94-V0 OF POLYCARBONATE/CLEAR				
ALUG706RD160-IR	ALUMINIUM EXTRUSION 6063/ RED ANODIZED(PANTONE 187C)	UL94-V0 OF POLYCARBONATE/TRANSLUCENT RED	Ø6X0.5 mm MATERIAL:PC COLOR:CLEAR	Ø12X5 mm MATERIAL:RUBBER (GAINTA ITEM NO:RF-1004) COLOR:BLACK	M3.5X12 mm MATERIAL:STAINLESS SUS 304 COLOR:UNFINISHED	146.6X41.6X169 mm
ALUG706BU160-CBU	ALUMINIUM EXTRUSION 6063/ BLUE ANODIZED(PANTONE 306C)	UL94-V0 OF POLYCARBONATE/TRANSLUCENT BLUE				
ALUG706BK160-BK	ALUMINIUM EXTRUSION 6063/ BLACK ANODIZED(PANTONE BLACK U)	UL94-V0 OF POLYCARBONATE/BLACK				
ALUG706GD200-C	ALUMINIUM EXTRUSION 6063/ GOLDEN ANODIZED(PANTONE 4675C)	UL94-V0 OF POLYCARBONATE/CLEAR				
ALUG706SR200-C	ALUMINIUM EXTRUSION 6063/ SILVER ANODIZED(PANTONE 877C)	UL94-V0 OF POLYCARBONATE/CLEAR				
ALUG706RD200-IR	ALUMINIUM EXTRUSION 6063/ RED ANODIZED(PANTONE 187C)	UL94-V0 OF POLYCARBONATE/TRANSLUCENT RED	Ø6X0.5 mm MATERIAL:PC COLOR:CLEAR	Ø12X5 mm MATERIAL:RUBBER (GAINTA ITEM NO:RF-1004) COLOR:BLACK	M3.5X12 mm MATERIAL:STAINLESS SUS 304 COLOR:UNFINISHED	146.6X41.6X209 mm
ALUG706BU200-CBU	ALUMINIUM EXTRUSION 6063/ BLUE ANODIZED(PANTONE 306C)	UL94-V0 OF POLYCARBONATE/TRANSLUCENT BLUE				
ALUG706BK200-BK	ALUMINIUM EXTRUSION 6063/ BLACK ANODIZED(PANTONE BLACK U)	UL94-V0 OF POLYCARBONATE/BLACK				



ITEM NO.	L(mm)
ALUG706XX080-XXX	80 mm
ALUG706XX120-XXX	120 mm
ALUG706XX160-XXX	160 mm
ALUG706XX200-XXX	200 mm

BODY



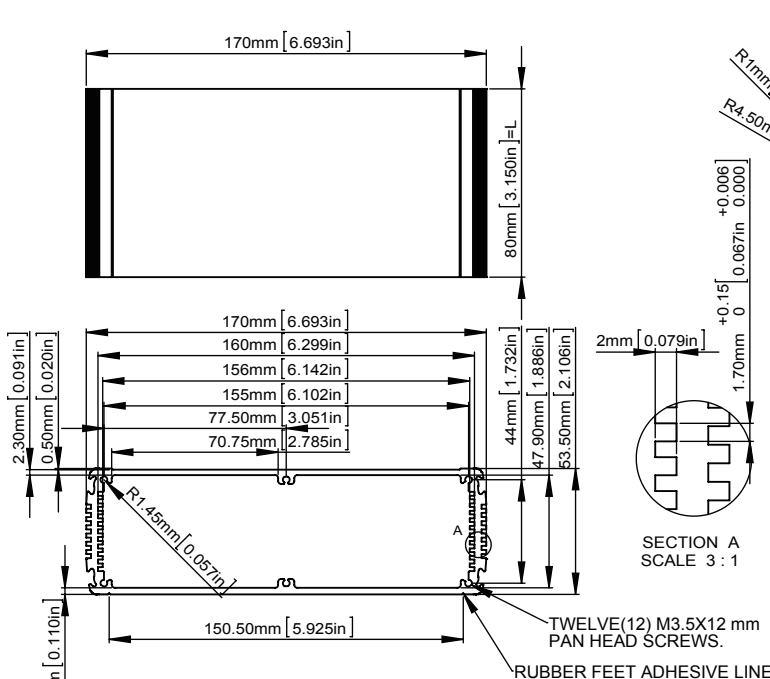
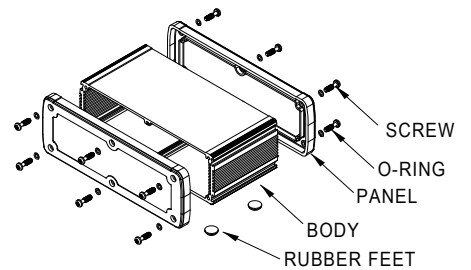
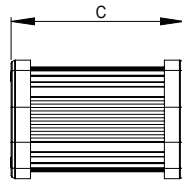
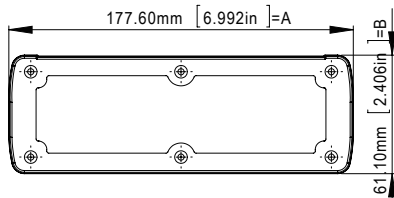
PANEL

According to ISO 2768-m	
Measuring DIM=L	Tolerances
0.5 < L ≤ 3.0mm	± 0.1mm
3.0 < L ≤ 6.0mm	± 0.1mm
6.0 < L ≤ 30.0mm	± 0.2mm
30.0 < L ≤ 120.0mm	± 0.3mm
120.0 < L ≤ 400.0mm	± 0.5mm
400.0 < L ≤ 1000.0mm	± 0.8mm

TYPE B

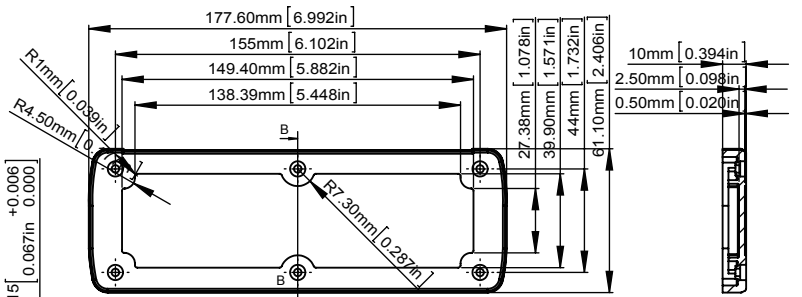
ALUG708XXXX-XXX

ITEM NO	BODY	PANEL	O-RING	RUBBER FEET	SCREW	EXTERNAL DIMENSION(mm) AXBXC
ALUG708GD080-C	ALUMINIUM EXTRUSION 6063/ GOLDEN ANODIZED(PANTONE 4675C)	UL94-V0 OF POLYCARBONATE/CLEAR	Ø6X0.5 mm MATERIAL:PC COLOR:CLEAR	Ø12X5 mm MATERIAL:RUBBER (GAINTA ITEM NO:RF-1004) COLOR:BLACK	M3.5X12 mm MATERIAL:STAINLESS SUS 304 COLOR:UNFINISHED	177.6X61.1X89 mm
ALUG708SR080-C	ALUMINIUM EXTRUSION 6063/ SILVER ANODIZED(PANTONE 877C)	UL94-V0 OF POLYCARBONATE/CLEAR				
ALUG708RD080-IR	ALUMINIUM EXTRUSION 6063/ RED ANODIZED(PANTONE 187C)	UL94-V0 OF POLYCARBONATE/TRANSLUCENT RED				
ALUG708BU080-CBU	ALUMINIUM EXTRUSION 6063/ BLUE ANODIZED(PANTONE 306C)	UL94-V0 OF POLYCARBONATE/TRANSLUCENT BLUE				
ALUG708BK080-BK	ALUMINIUM EXTRUSION 6063/ BLACK ANODIZED(PANTONE BLACK U)	UL94-V0 OF POLYCARBONATE/BLACK				
ALUG708GD120-C	ALUMINIUM EXTRUSION 6063/ GOLDEN ANODIZED(PANTONE 4675C)	UL94-V0 OF POLYCARBONATE/CLEAR	Ø6X0.5 mm MATERIAL:PC COLOR:CLEAR	Ø12X5 mm MATERIAL:RUBBER (GAINTA ITEM NO:RF-1004) COLOR:BLACK	M3.5X12 mm MATERIAL:STAINLESS SUS 304 COLOR:UNFINISHED	177.6X61.1X129 mm
ALUG708SR120-C	ALUMINIUM EXTRUSION 6063/ SILVER ANODIZED(PANTONE 877C)	UL94-V0 OF POLYCARBONATE/CLEAR				
ALUG708RD120-IR	ALUMINIUM EXTRUSION 6063/ RED ANODIZED(PANTONE 187C)	UL94-V0 OF POLYCARBONATE/TRANSLUCENT RED				
ALUG708BU120-CBU	ALUMINIUM EXTRUSION 6063/ BLUE ANODIZED(PANTONE 306C)	UL94-V0 OF POLYCARBONATE/TRANSLUCENT BLUE				
ALUG708BK120-BK	ALUMINIUM EXTRUSION 6063/ BLACK ANODIZED(PANTONE BLACK U)	UL94-V0 OF POLYCARBONATE/BLACK				
ALUG708GD160-C	ALUMINIUM EXTRUSION 6063/ GOLDEN ANODIZED(PANTONE 4675C)	UL94-V0 OF POLYCARBONATE/CLEAR	Ø6X0.5 mm MATERIAL:PC COLOR:CLEAR	Ø12X5 mm MATERIAL:RUBBER (GAINTA ITEM NO:RF-1004) COLOR:BLACK	M3.5X12 mm MATERIAL:STAINLESS SUS 304 COLOR:UNFINISHED	177.6X61.1X169 mm
ALUG708SR160-C	ALUMINIUM EXTRUSION 6063/ SILVER ANODIZED(PANTONE 877C)	UL94-V0 OF POLYCARBONATE/CLEAR				
ALUG708RD160-IR	ALUMINIUM EXTRUSION 6063/ RED ANODIZED(PANTONE 187C)	UL94-V0 OF POLYCARBONATE/TRANSLUCENT RED				
ALUG708BU160-CBU	ALUMINIUM EXTRUSION 6063/ BLUE ANODIZED(PANTONE 306C)	UL94-V0 OF POLYCARBONATE/TRANSLUCENT BLUE				
ALUG708BK160-BK	ALUMINIUM EXTRUSION 6063/ BLACK ANODIZED(PANTONE BLACK U)	UL94-V0 OF POLYCARBONATE/BLACK				
ALUG708GD200-C	ALUMINIUM EXTRUSION 6063/ GOLDEN ANODIZED(PANTONE 4675C)	UL94-V0 OF POLYCARBONATE/CLEAR	Ø6X0.5 mm MATERIAL:PC COLOR:CLEAR	Ø12X5 mm MATERIAL:RUBBER (GAINTA ITEM NO:RF-1004) COLOR:BLACK	M3.5X12 mm MATERIAL:STAINLESS SUS 304 COLOR:UNFINISHED	177.6X61.1X209 mm
ALUG708SR200-C	ALUMINIUM EXTRUSION 6063/ SILVER ANODIZED(PANTONE 877C)	UL94-V0 OF POLYCARBONATE/CLEAR				
ALUG708RD200-IR	ALUMINIUM EXTRUSION 6063/ RED ANODIZED(PANTONE 187C)	UL94-V0 OF POLYCARBONATE/TRANSLUCENT RED				
ALUG708BU200-CBU	ALUMINIUM EXTRUSION 6063/ BLUE ANODIZED(PANTONE 306C)	UL94-V0 OF POLYCARBONATE/TRANSLUCENT BLUE				
ALUG708BK200-BK	ALUMINIUM EXTRUSION 6063/ BLACK ANODIZED(PANTONE BLACK U)	UL94-V0 OF POLYCARBONATE/BLACK				

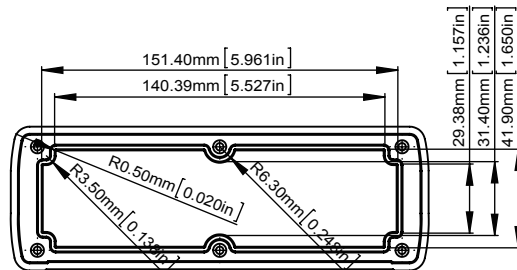


ITEM NO.	L(mm)
ALUG708XX080-XXX	80 mm
ALUG708XX120-XXX	120 mm
ALUG708XX160-XXX	160 mm
ALUG708XX200-XXX	200 mm

BODY



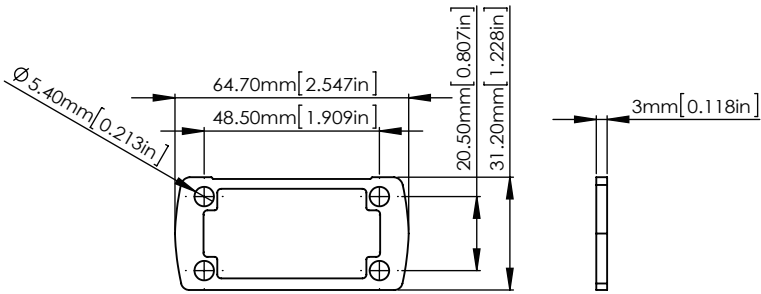
SECTION B-B
SCALE 2 : 3



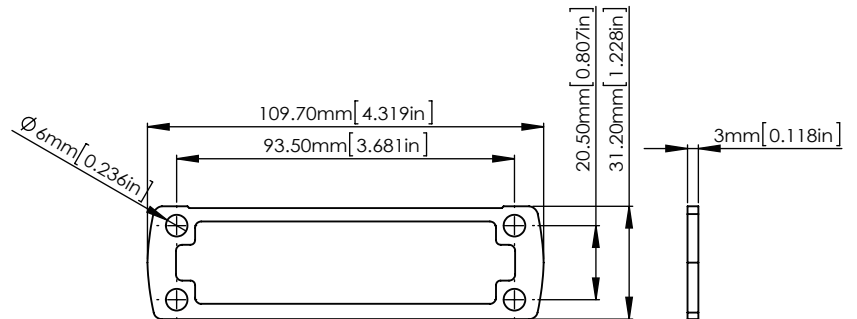
PANEL

According to ISO 2768-m	
Measuring DIM=L	Tolerances
0.5 < L ≤ 3.0mm	± 0.1mm
3.0 < L ≤ 6.0mm	± 0.1mm
6.0 < L ≤ 30.0mm	± 0.2mm
30.0 < L ≤ 120.0mm	± 0.3mm
120.0 < L ≤ 400.0mm	± 0.5mm
400.0 < L ≤ 1000.0mm	± 0.8mm

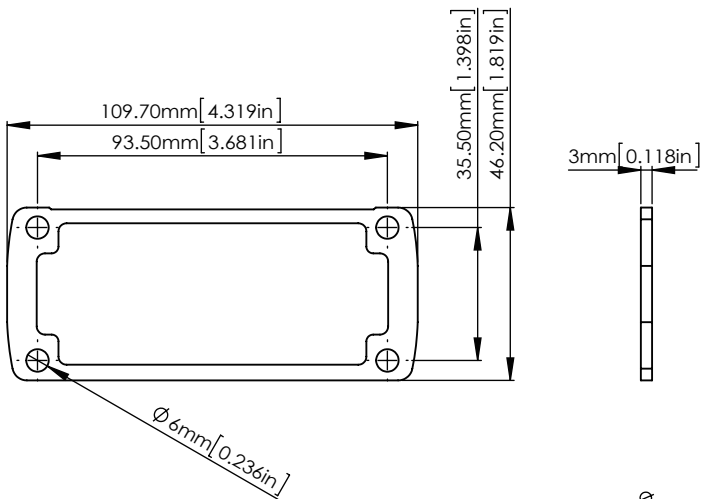
ALUG702-SEAL



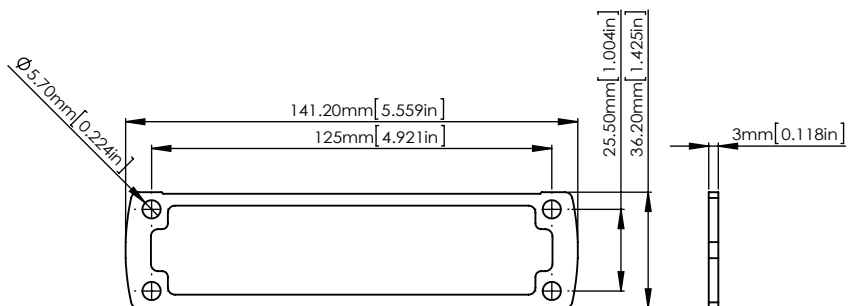
ALUG704-SEAL



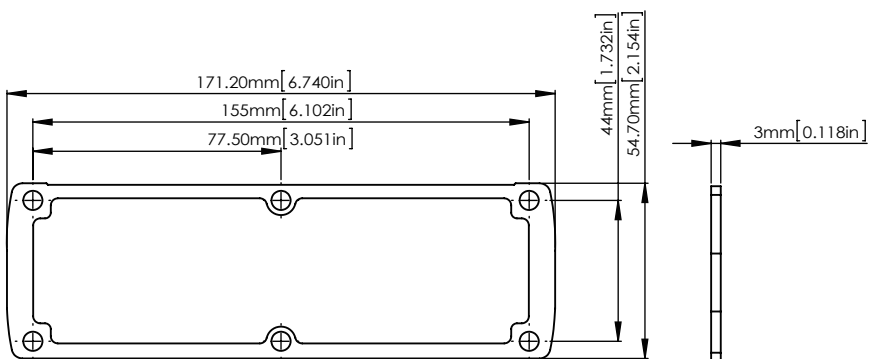
ALUG705-SEAL



ALUG706-SEAL



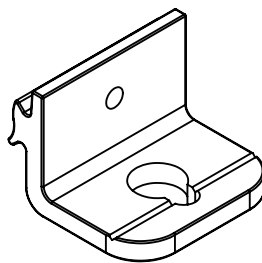
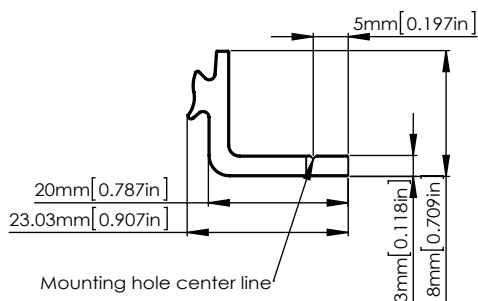
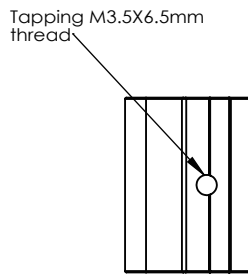
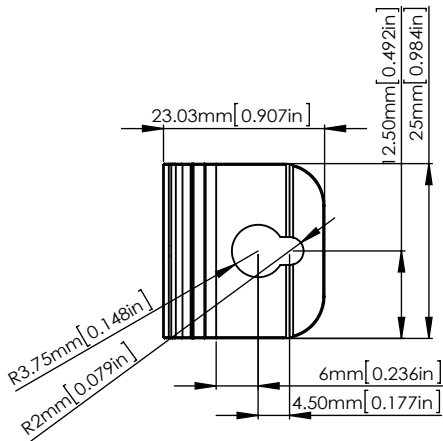
ALUG708-SEAL



According to ISO 2768-m

Measuring DIM=L	Tolerances
0.5 < L ≤ 3.0mm	± 0.1mm
3.0 < L ≤ 6.0mm	± 0.1mm
6.0 < L ≤ 30.0mm	± 0.2mm
30.0 < L ≤ 120.0mm	± 0.3mm
120.0 < L ≤ 400.0mm	± 0.5mm
400.0 < L ≤ 1000.0mm	± 0.8mm

ALMF-002PBK



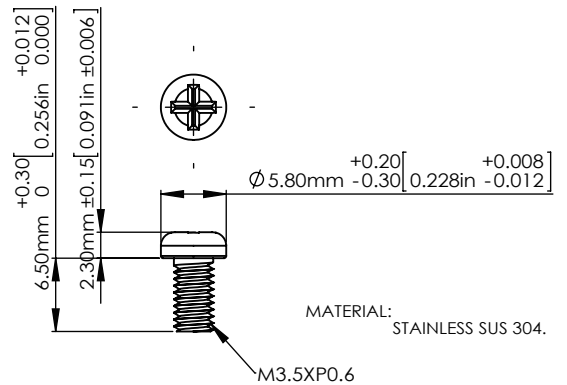
According to ISO 2768-m

Measuring DIM=L	Tolerances
0.5 < L ≤ 3.0mm	± 0.1mm
3.0 < L ≤ 6.0mm	± 0.1mm
6.0 < L ≤ 30.0mm	± 0.2mm
30.0 < L ≤ 120.0mm	± 0.3mm
120.0 < L ≤ 400.0mm	± 0.5mm
400.0 < L ≤ 1000.0mm	± 0.8mm

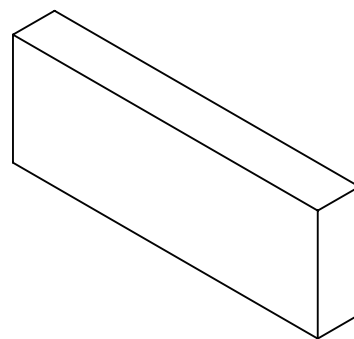
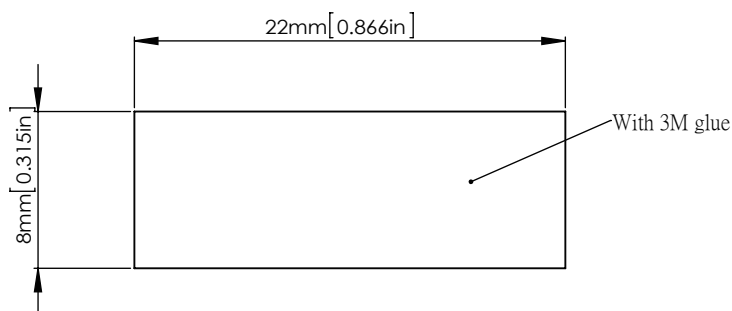
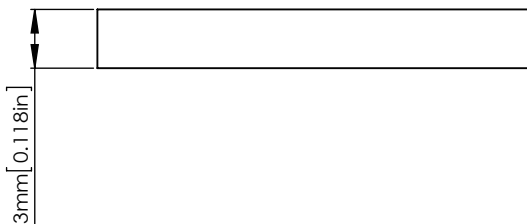
ALMF-002PBK (1 set) includes

1. 2 pcs of mounting brackets & 2 pcs M3.5X6.5mm screws.
2. Color: Painted black (PBK), similar to RAL9005.

M3.5X6.5mm screws



ALUG7XX-PCBSTOP



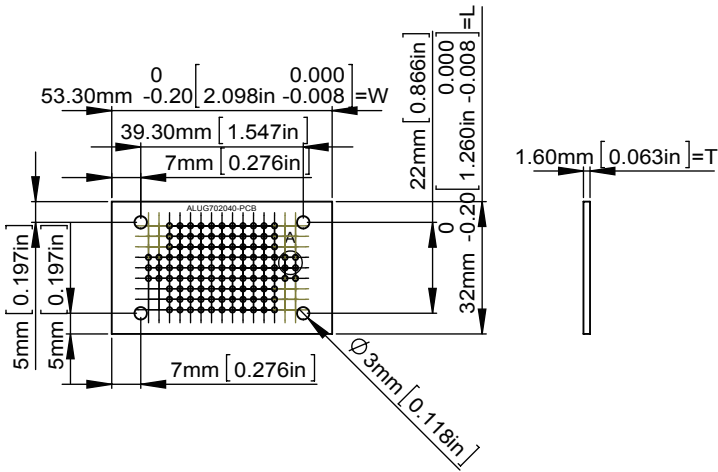
ALUG7XX-PCBSTOP(1 set) includes

1. 20 pcs/bag of adhesive rubber pads
< PS : Material : CR (With 3M glue) >
2. Color : black

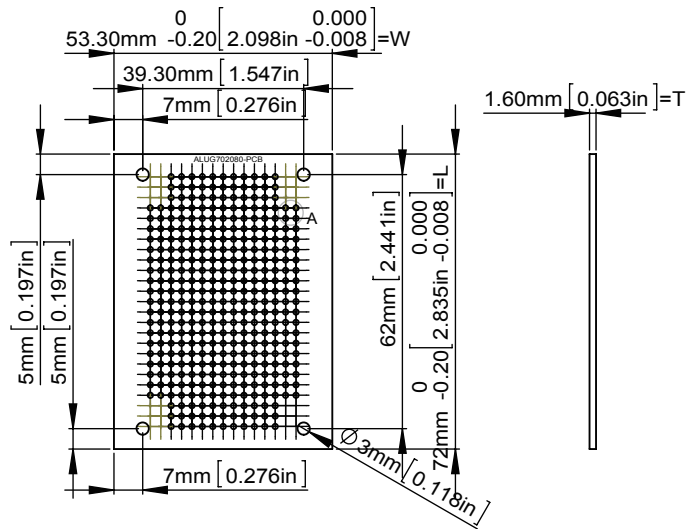
ALUG702XXX-PCB			
ITEM	L	W	T
ALUG702040-PCB	32.0 mm	53.3 mm	1.60 mm
ALUG702080-PCB	72.0 mm	53.3 mm	1.60 mm
ALUG702120-PCB	112.0 mm	53.3 mm	1.60 mm

According to ISO 2768-m	
Measuring DIM=L	Tolerances
0.5 < L ≤ 3.0mm	± 0.1mm
3.0 < L ≤ 6.0mm	± 0.1mm
6.0 < L ≤ 30.0mm	± 0.2mm
30.0 < L ≤ 120.0mm	± 0.3mm
120.0 < L ≤ 400.0mm	± 0.5mm
400.0 < L ≤ 1000.0mm	± 0.8mm

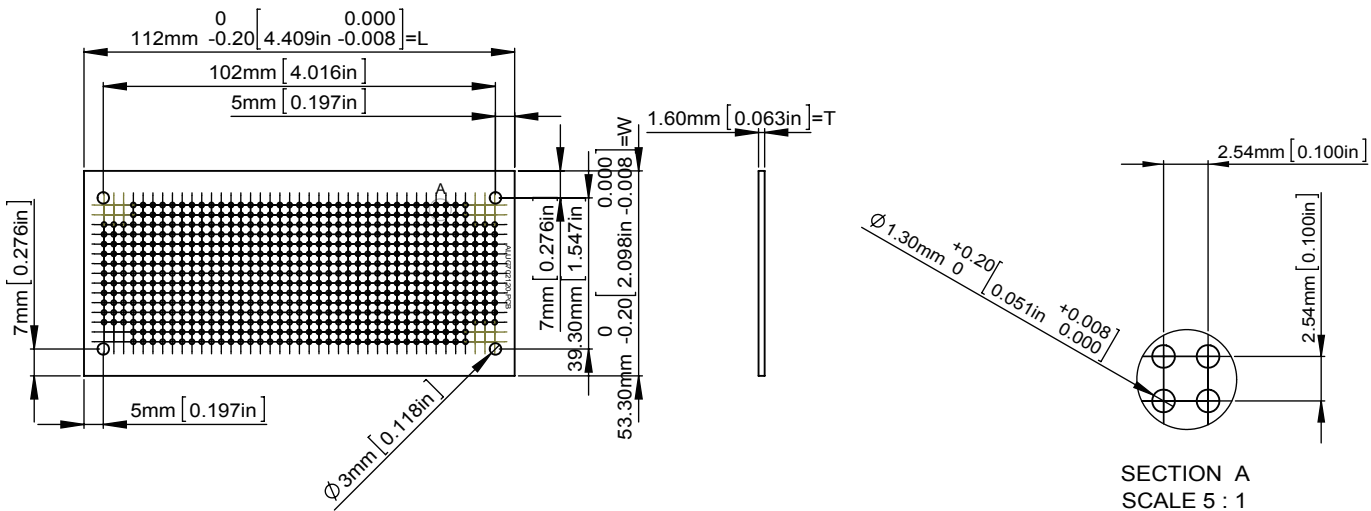
ALUG702040-PCB



ALUG702080-PCB



ALUG702120-PCB

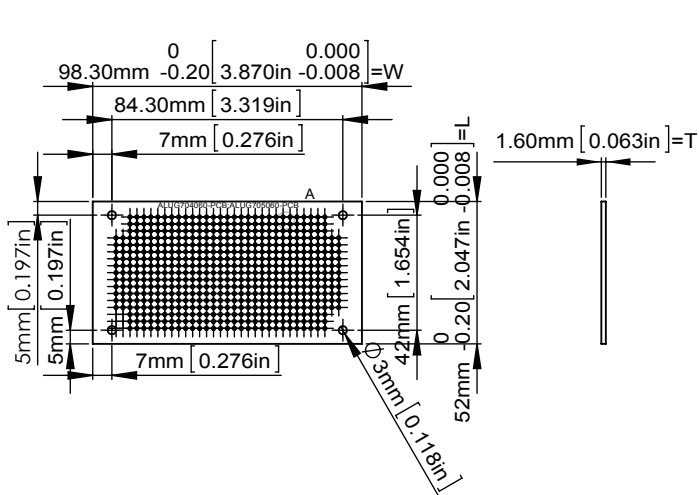


SECTION A
SCALE 5 : 1

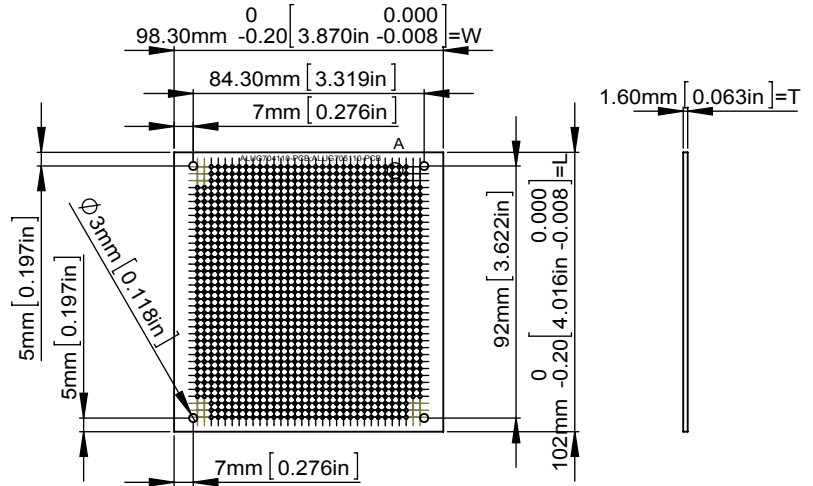
ALUG704XXX-PCB, ALUG705XXX-PCB			
ITEM	L	W	T
ALUG704060-PCB	52.0 mm	98.3 mm	1.6 mm
ALUG705060-PCB			
ALUG704110-PCB	102.0 mm	98.3 mm	1.6 mm
ALUG705110-PCB			
ALUG704160-PCB	152.0 mm	98.3 mm	1.6 mm
ALUG705160-PCB			

According to ISO 2768-m	
Measuring DIM=L	Tolerances
0.5 < L ≤ 3.0mm	± 0.1mm
3.0 < L ≤ 6.0mm	± 0.1mm
6.0 < L ≤ 30.0mm	± 0.2mm
30.0 < L ≤ 120.0mm	± 0.3mm
120.0 < L ≤ 400.0mm	± 0.5mm
400.0 < L ≤ 1000.0mm	± 0.8mm

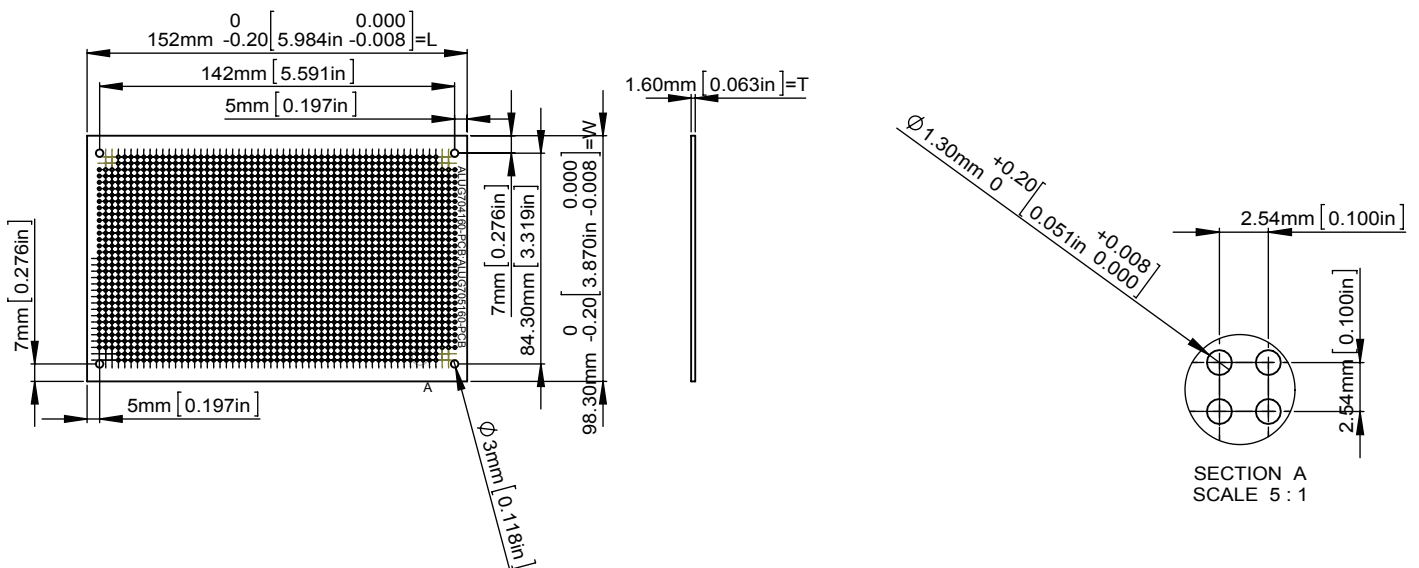
ALUG704060-PCB
ALUG705060-PCB



ALUG704110-PCB
ALUG705110-PCB



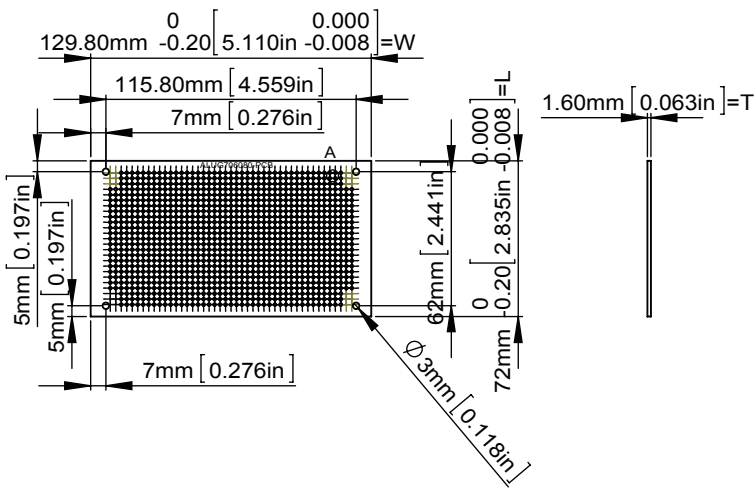
ALUG704160-PCB
ALUG705160-PCB



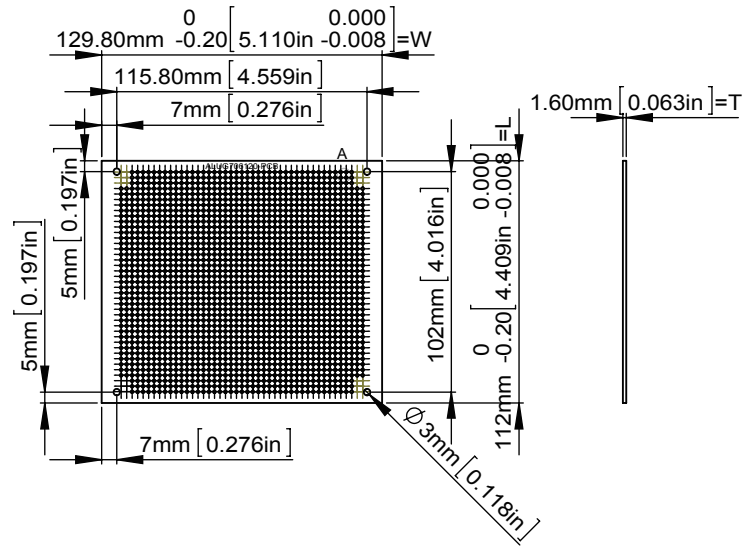
ALUG706XXX-PCB			
ITEM	L	W	T
ALUG706080-PCB	72.0 mm	129.8 mm	1.60 mm
ALUG706120-PCB	112.0 mm	129.8 mm	1.60 mm
ALUG706160-PCB	152.0 mm	129.8 mm	1.60 mm
ALUG706200-PCB	192.0 mm	129.8 mm	1.60 mm

According to ISO 2768-m	
Measuring DIM=L	Tolerances
0.5 < L ≤ 3.0mm	± 0.1mm
3.0 < L ≤ 6.0mm	± 0.1mm
6.0 < L ≤ 30.0mm	± 0.2mm
30.0 < L ≤ 120.0mm	± 0.3mm
120.0 < L ≤ 400.0mm	± 0.5mm
400.0 < L ≤ 1000.0mm	± 0.8mm

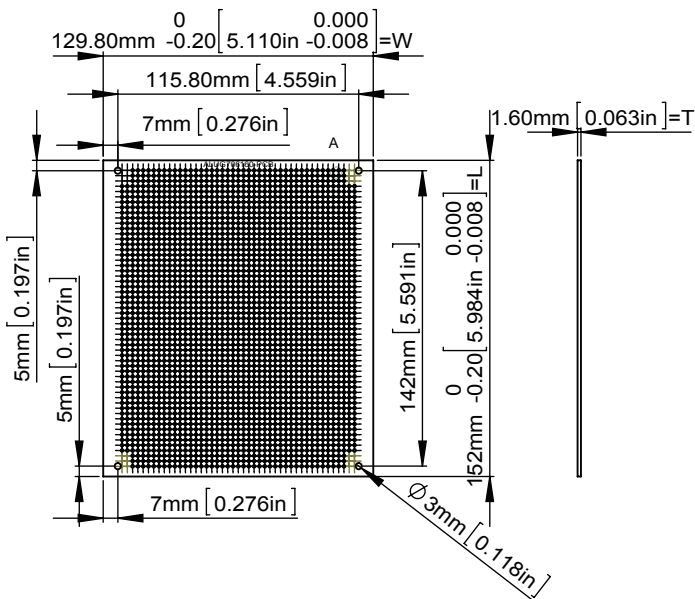
ALUG706080-PCB



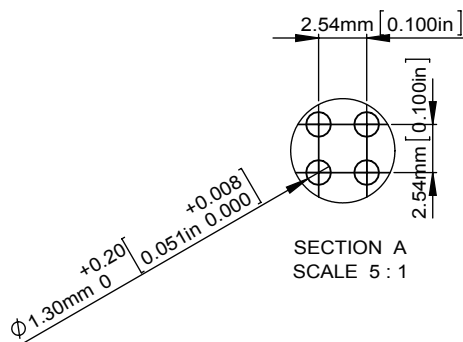
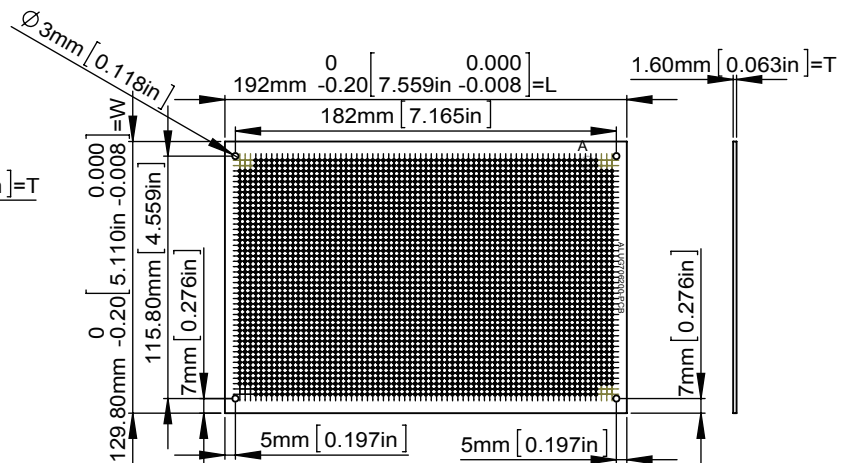
ALUG706120-PCB



ALUG706160-PCB



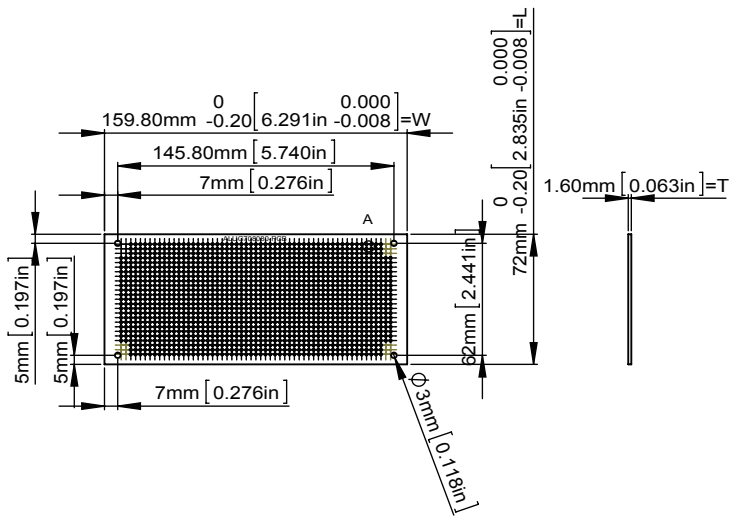
ALUG706200-PCB



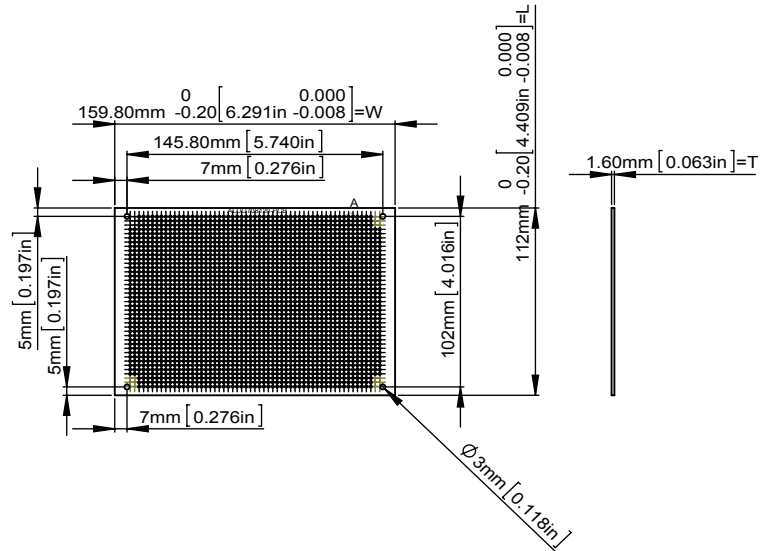
ALUG708XXX-PCB			
ITEM	L	W	T
ALUG708080-PCB	72.0 mm	159.8 mm	1.6 mm
ALUG708120-PCB	112.0 mm	159.8 mm	1.6 mm
ALUG708160-PCB	152.0 mm	159.8 mm	1.6 mm
ALUG708200-PCB	192.0 mm	159.8 mm	1.6 mm

According to ISO 2768-m	
Measuring DIM=L	Tolerances
0.5 < L ≤ 3.0mm	± 0.1mm
3.0 < L ≤ 6.0mm	± 0.1mm
6.0 < L ≤ 30.0mm	± 0.2mm
30.0 < L ≤ 120.0mm	± 0.3mm
120.0 < L ≤ 400.0mm	± 0.5mm
400.0 < L ≤ 1000.0mm	± 0.8mm

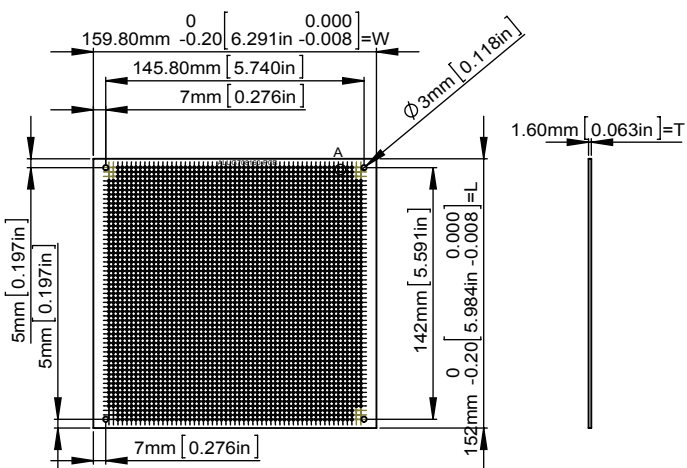
ALUG708080-PCB



ALUG708120-PCB



ALUG708160-PCB



ALUG708200-PCB

