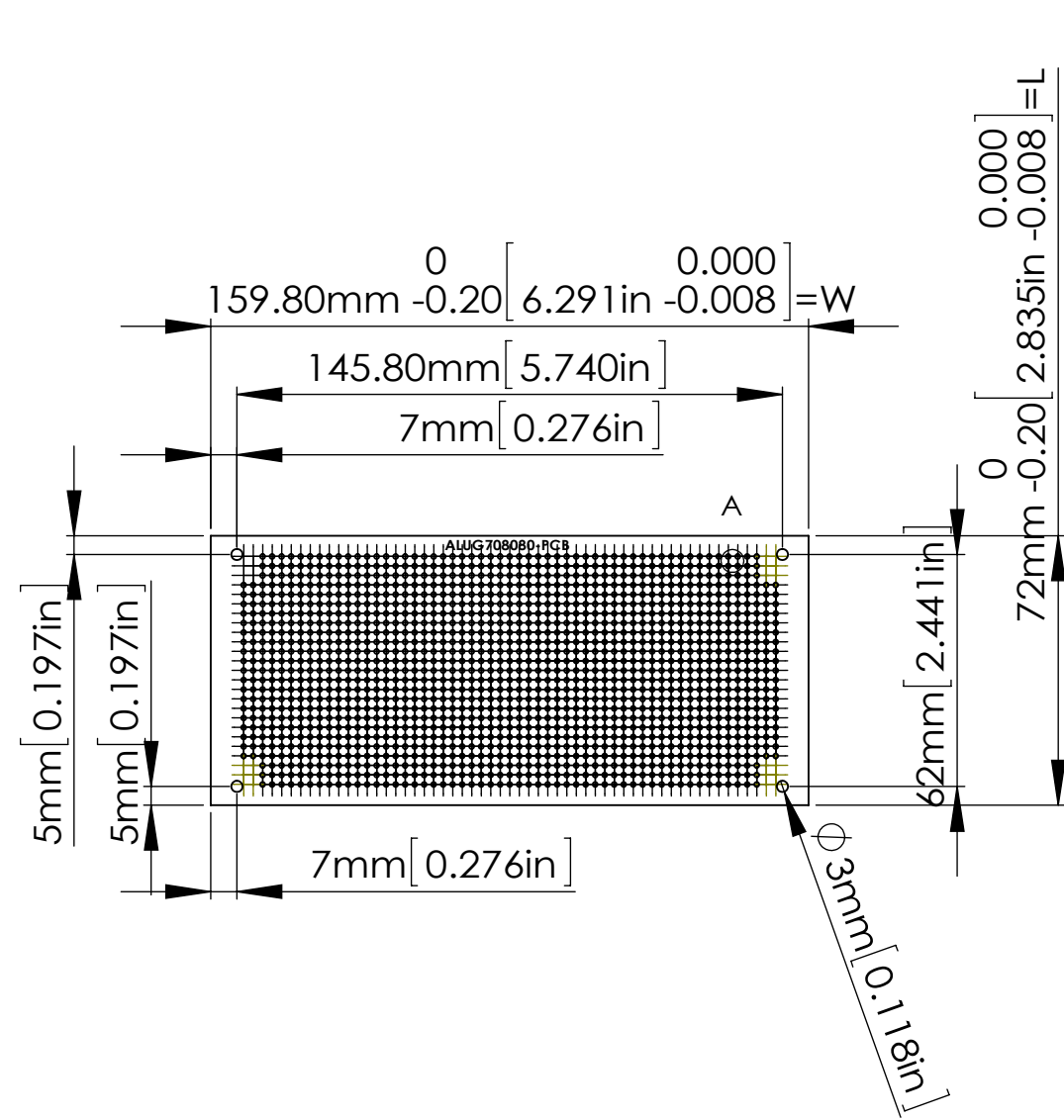
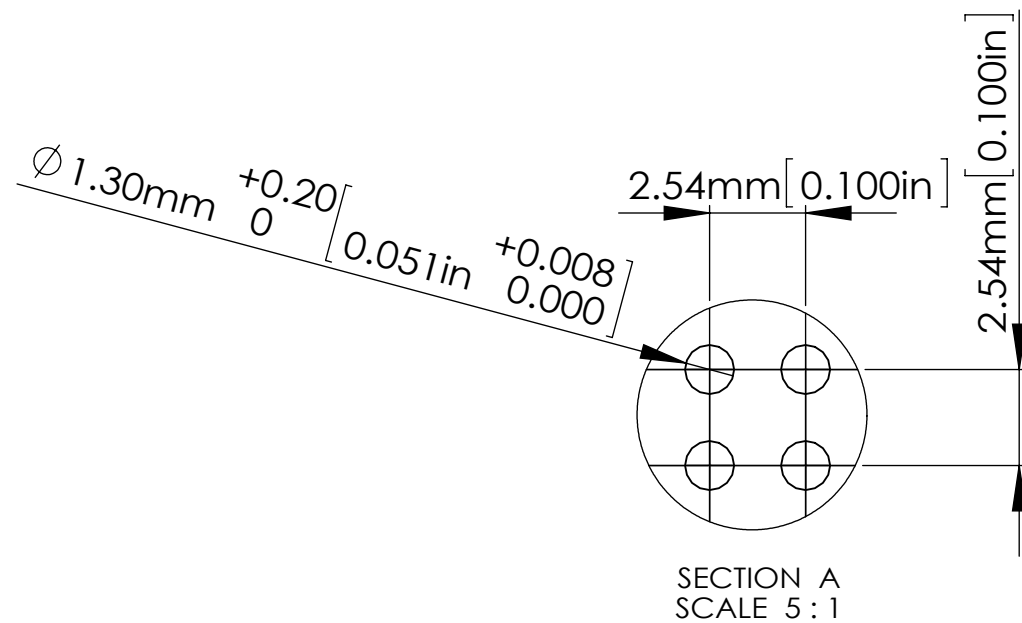
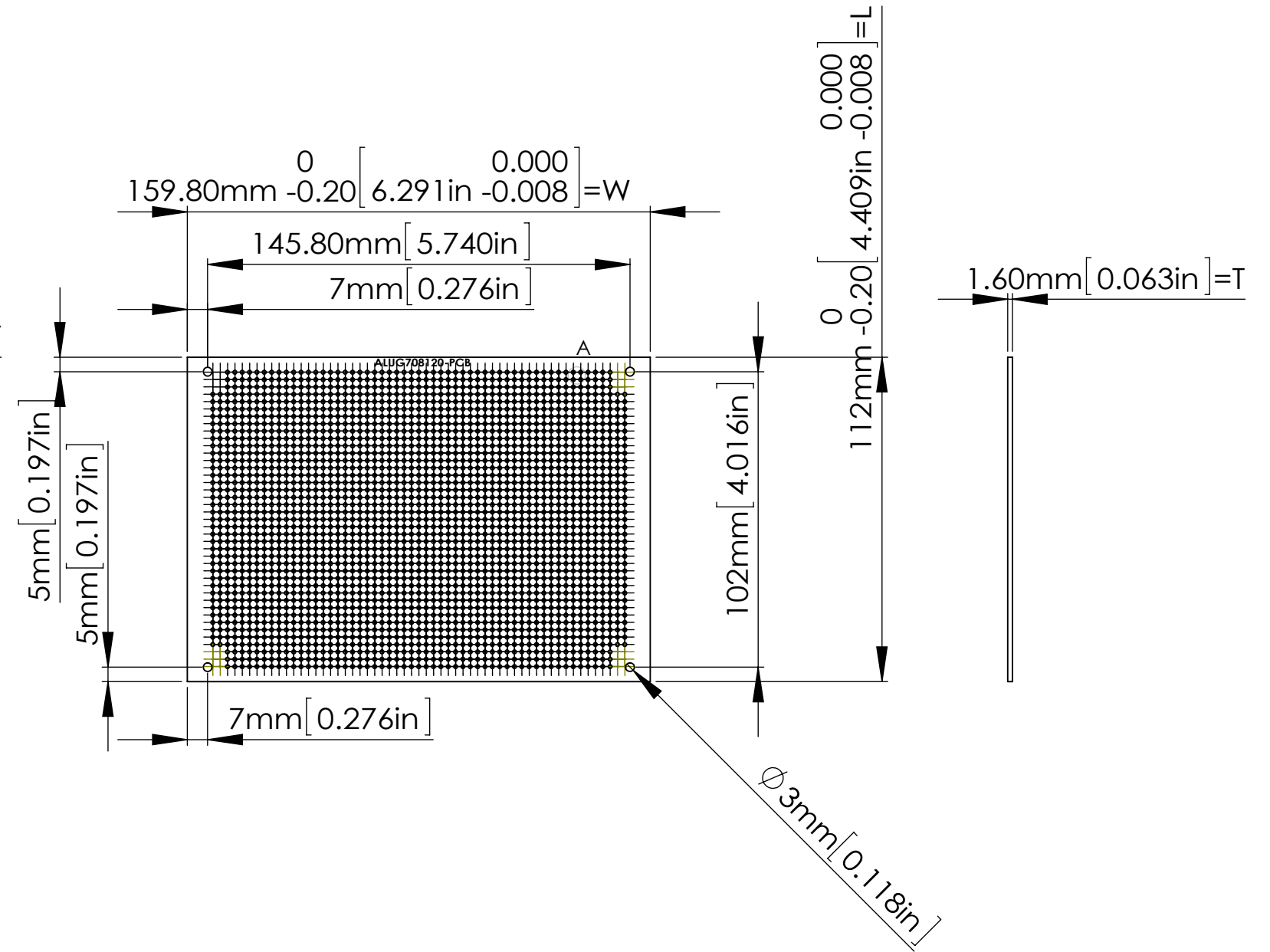


ALUG708080-PCB



ALUG708120-PCB



ITEM	L	W	T
ALUG708080-PCB	72.0 mm	159.8 mm	1.6 mm
ALUG708120-PCB	112.0 mm	159.8 mm	1.6 mm
ALUG708160-PCB	152.0 mm	159.8 mm	1.6 mm
ALUG708200-PCB	192.0 mm	159.8 mm	1.6 mm

According to ISO 2768-m	
Measuring DIM=L	Tolerances
0.5<L<=3.0mm	±0.1mm
3.0<L<=6.0 mm	±0.1mm
6.0<L<=30.0 mm	±0.2mm
30.0<L<=120.0 mm	±0.3mm
120.0<L<=400.0 mm	±0.5mm
400.0<L<=1000.0 mm	±0.8mm

宣又實業有限公司
GAINTA INDUSTRIES LTD.

繪圖 DRA'D BY
JACKY

日期 DATE
2015/07/30

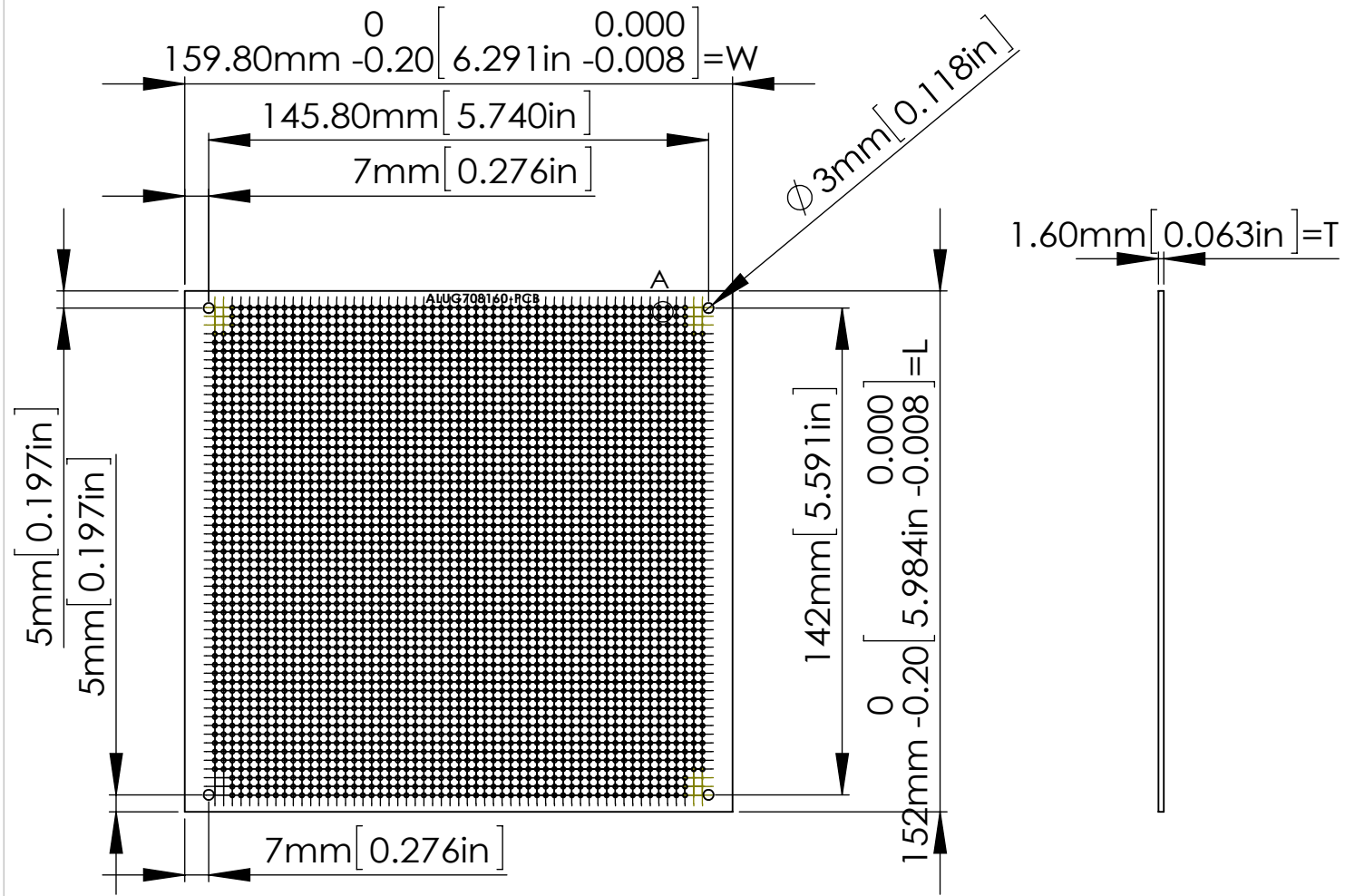
材質 MATE.
--

圖名TITLE:
ALUG708XXX-PCB

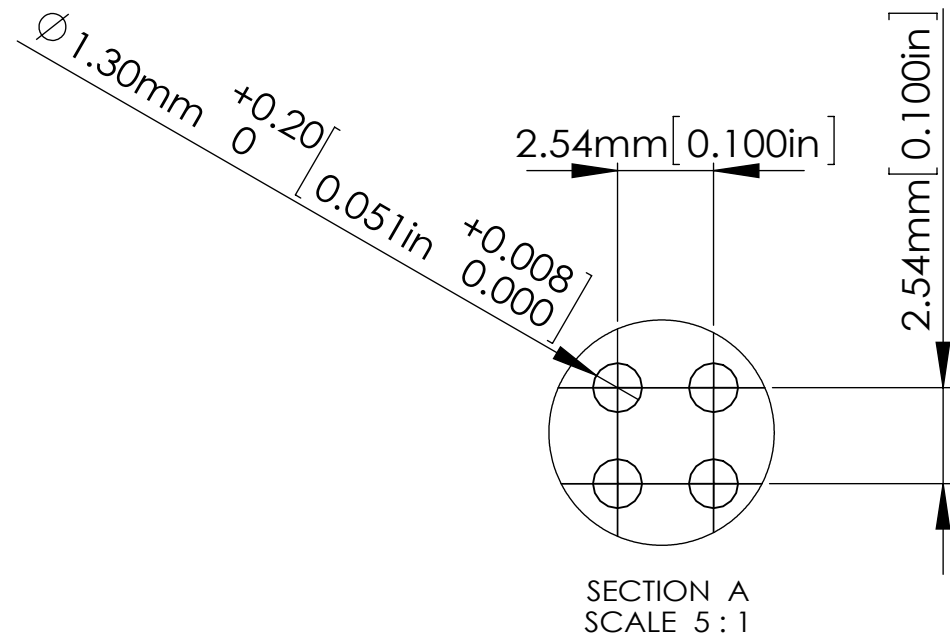
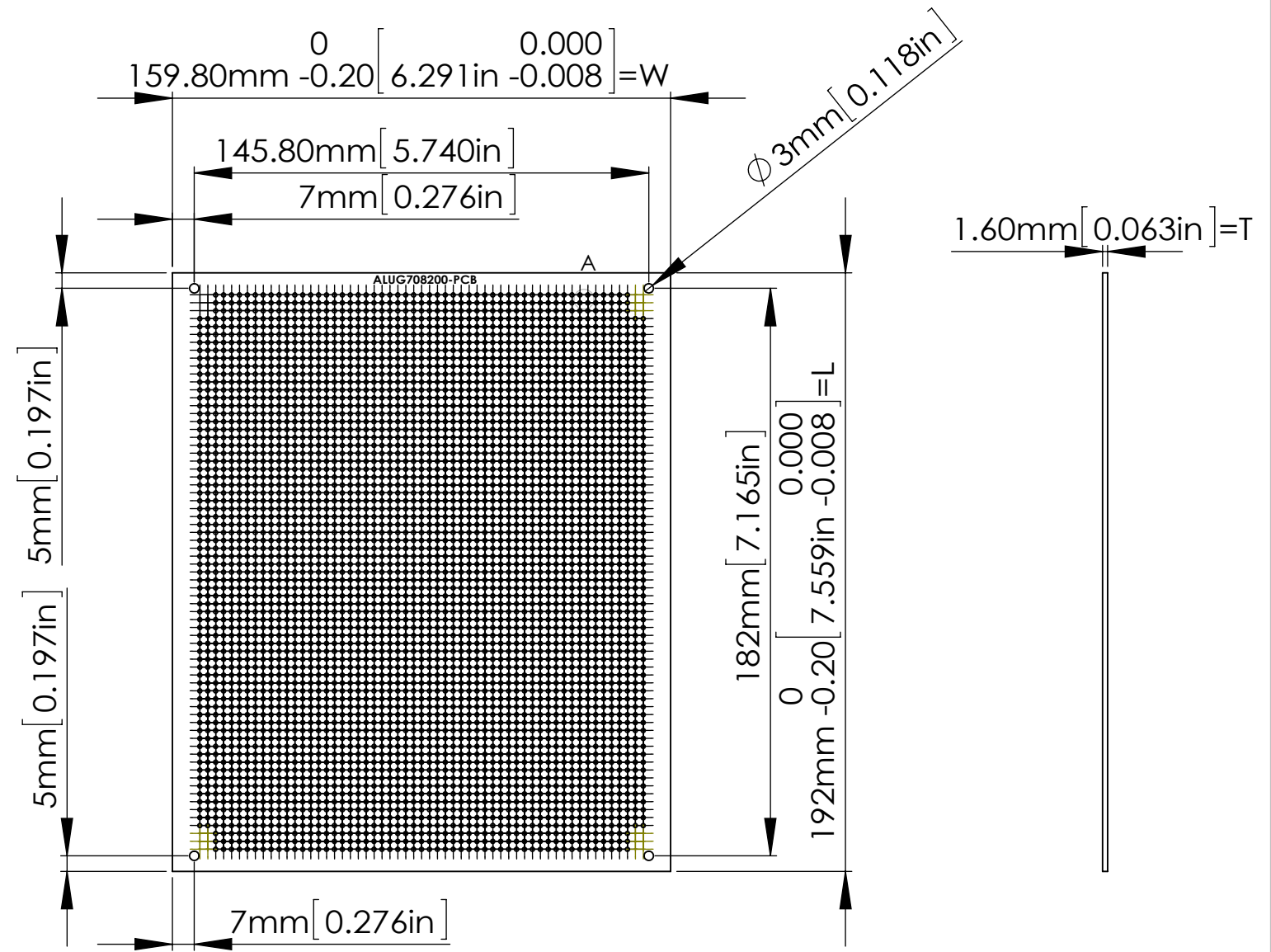
圖號DWG NO:
1

版次REVISED:
A

ALUG708160-PCB



ALUG708200-PCB



ITEM	L	W	T
ALUG708080-PCB	72.0 mm	159.8 mm	1.6 mm
ALUG708120-PCB	112.0 mm	159.8 mm	1.6 mm
ALUG708160-PCB	152.0 mm	159.8 mm	1.6 mm
ALUG708200-PCB	192.0 mm	159.8 mm	1.6 mm

According to ISO 2768-m	
Measuring DIM=L	Tolerances
0.5<L<=3.0mm	±0.1mm
3.0<L<=6.0 mm	±0.1mm
6.0<L<=30.0 mm	±0.2mm
30.0<L<=120.0 mm	±0.3mm
120.0<L<=400.0 mm	±0.5mm
400.0<L<=1000.0 mm	±0.8mm

宣又實業有限公司
GAINTA INDUSTRIES LTD.

繪圖 DRA'D BY
JACKY

日期 DATE
2015/07/30

材質 MATE.
--

圖名TITLE:
ALUG708XXX-PCB

圖號DWG NO:
2

版次REVISED:
A